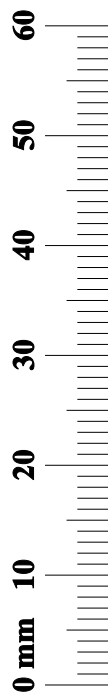
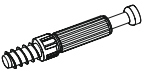
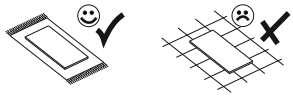


A 2	NRD1 4	SG2 4
D 1	C 1	B 1
W5 34	W6 4	W1 8
ZM1B 8	ZM1A 8	KU1D 6
KT1 12	KU1B 6	ZST1 4
PS1 1	ZM1 8	KK1 1



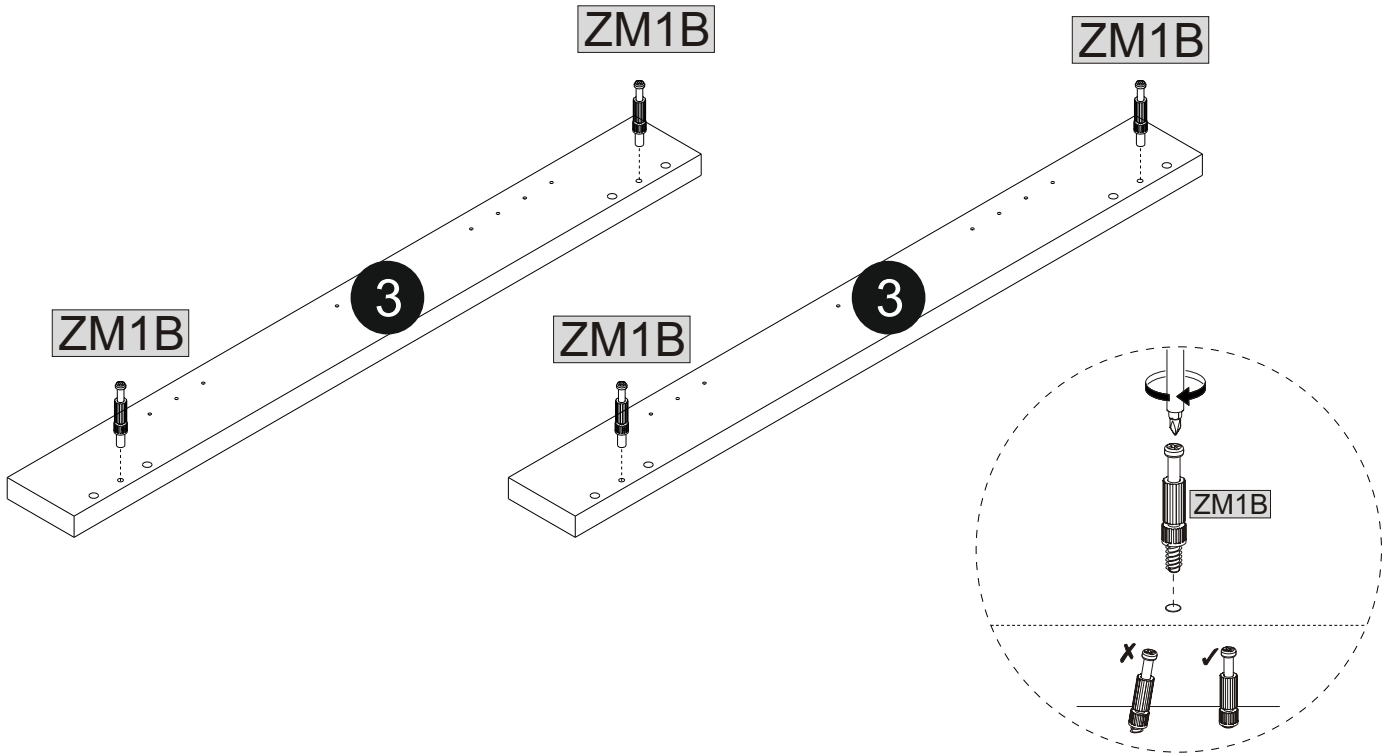
COLLI 1		COLLI 2			
PGS1		1			
N	L [mm]	W [mm]	T [mm]	Q	COLLI
1	650	550	22	2	COLLI_1/2
2	650	380	22	1	COLLI_1/2
3	750	80	22	2	COLLI_1/2
4	470	130	22	2	COLLI_1/2
5	589	257	22	1	COLLI_1/2
6	350	380	44	1	COLLI_1/2
7	350	380	44	1	COLLI_1/2

01

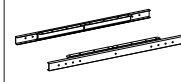
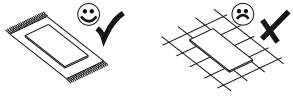


ZM1B

4



02



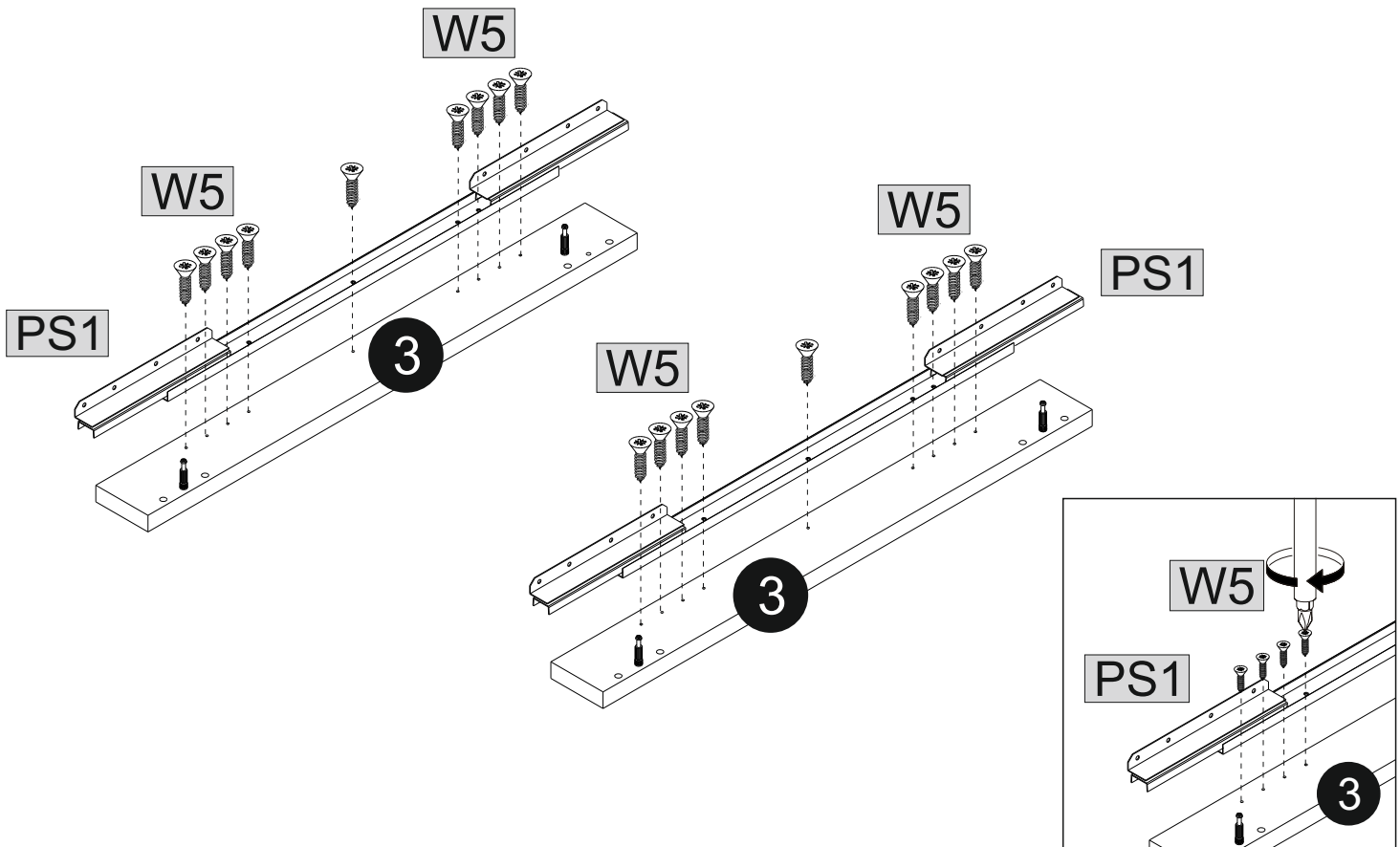
PS1

1

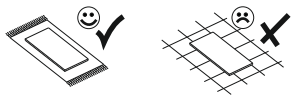
W5

4x16

18



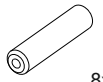
03



15x12

ZM1A

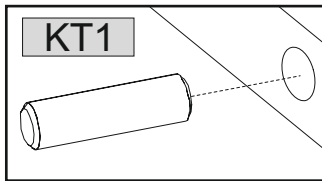
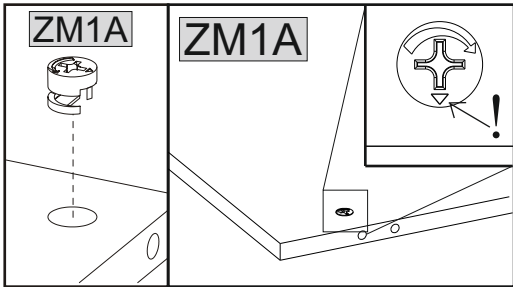
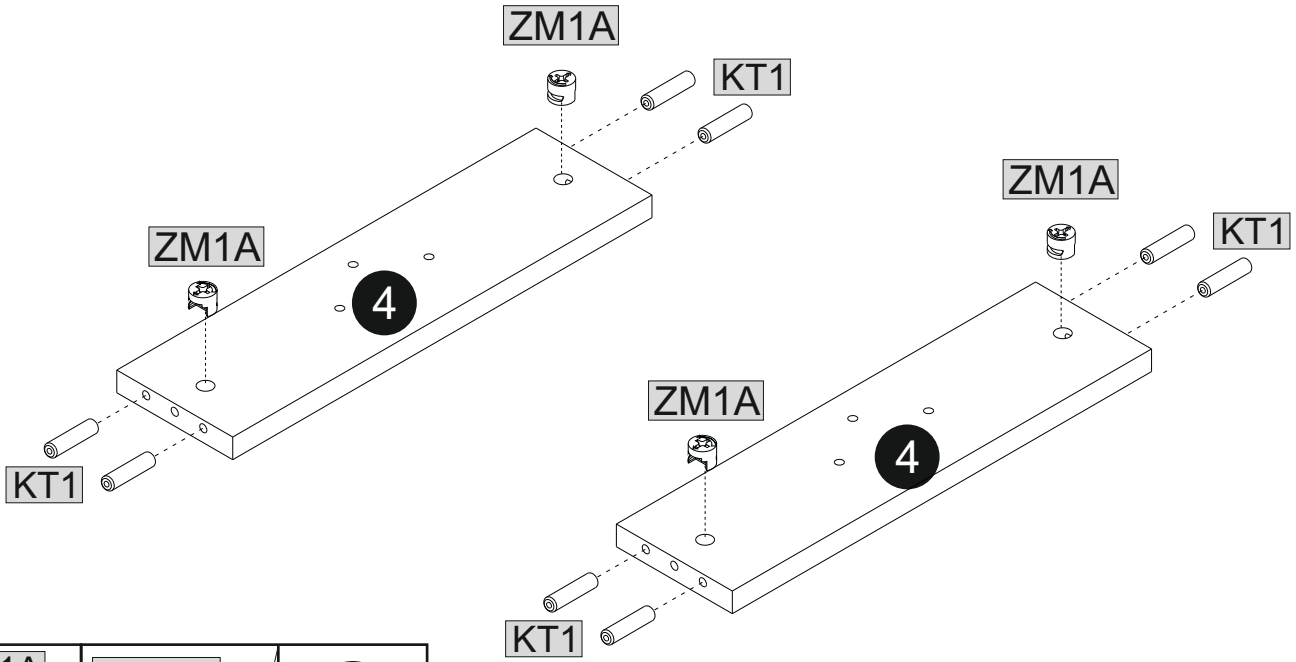
4



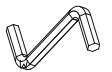
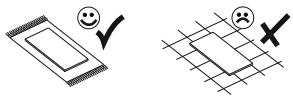
8x35

KT1

8

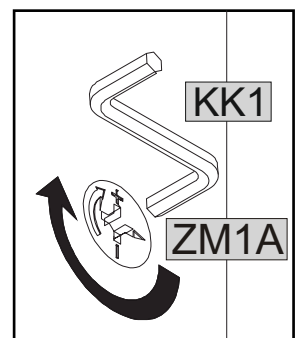
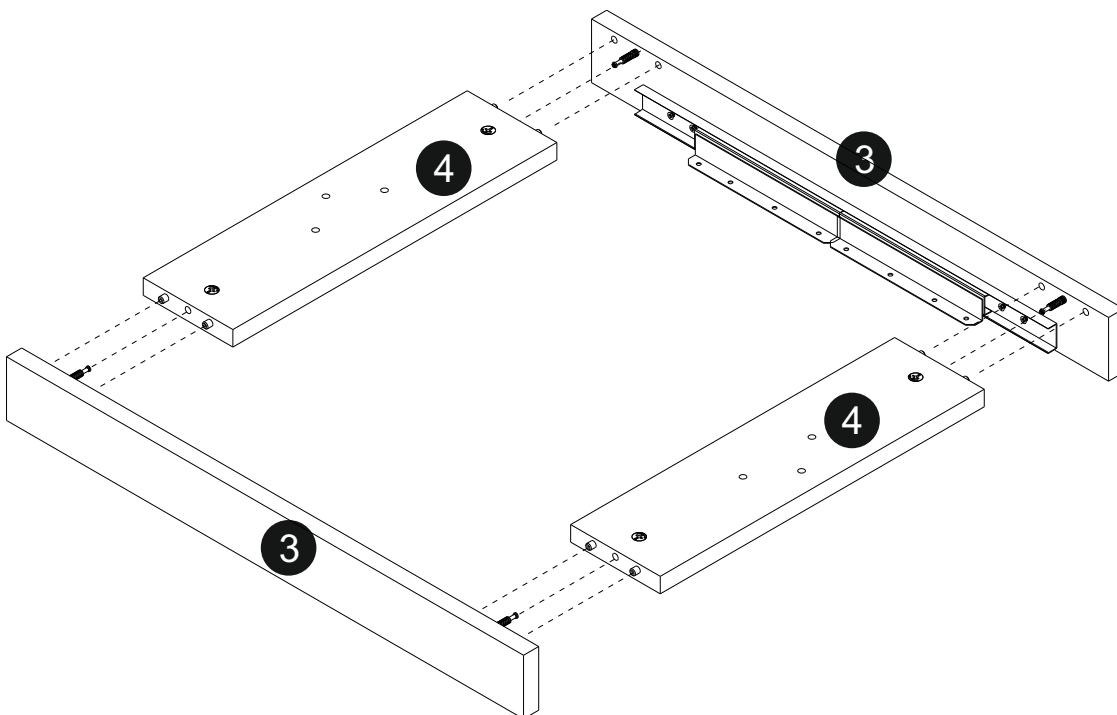


04

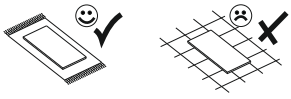


KK1

1



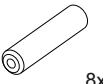
05



15x12

ZM1A

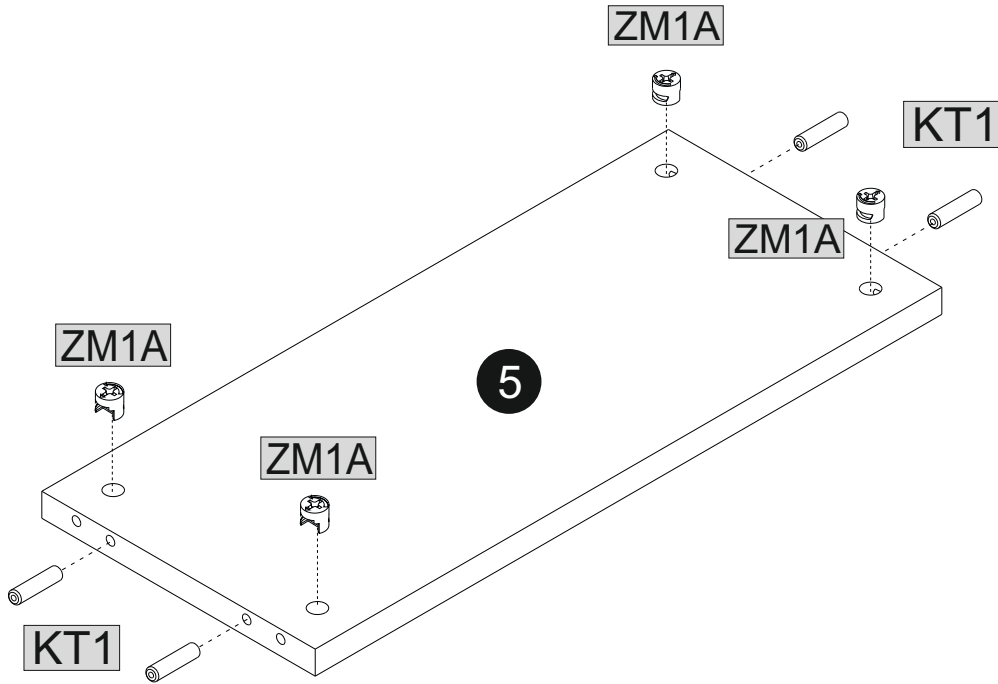
4



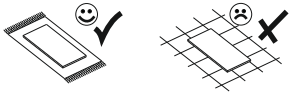
8x35

KT1

4

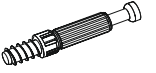


06



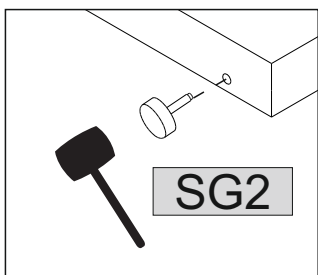
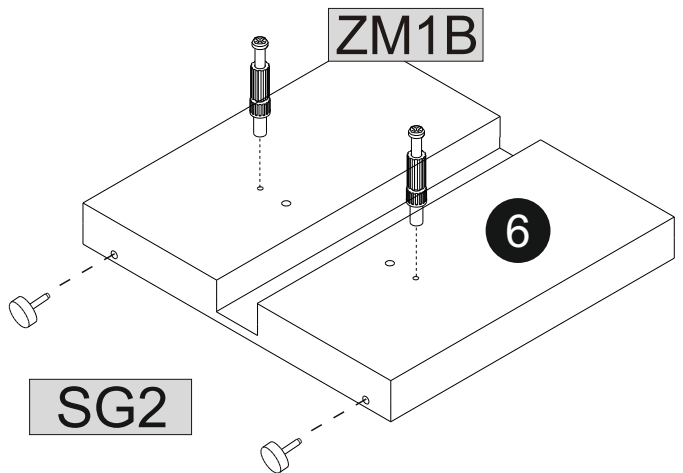
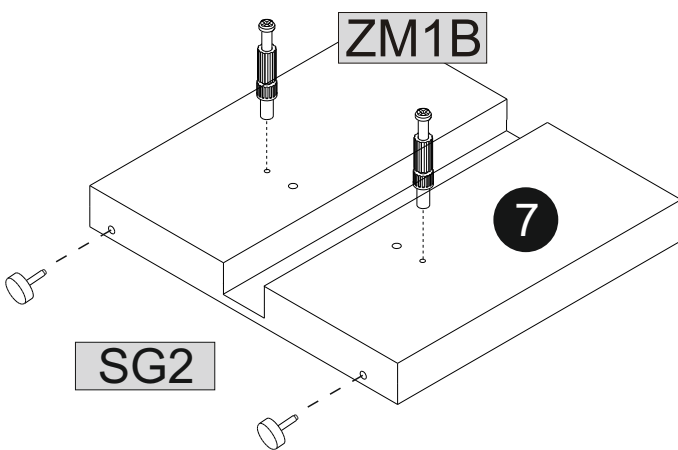
SG2

4

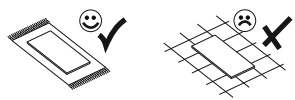



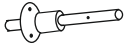
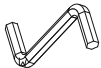


ZM1B

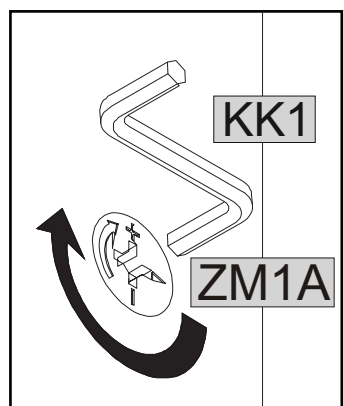
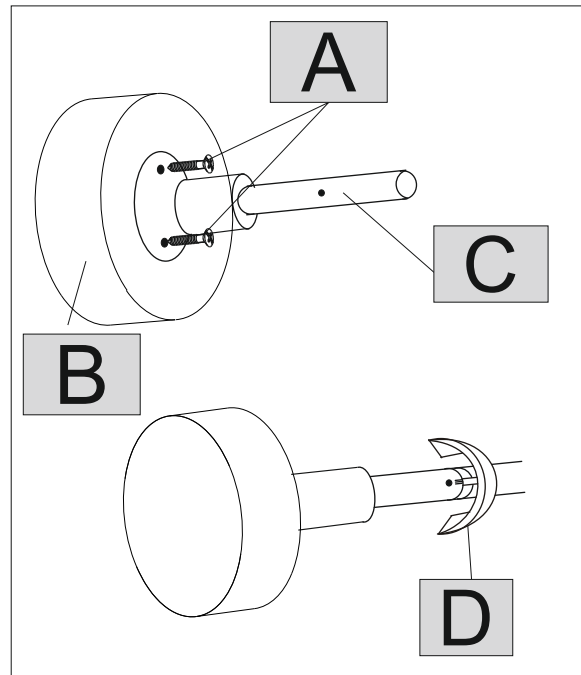
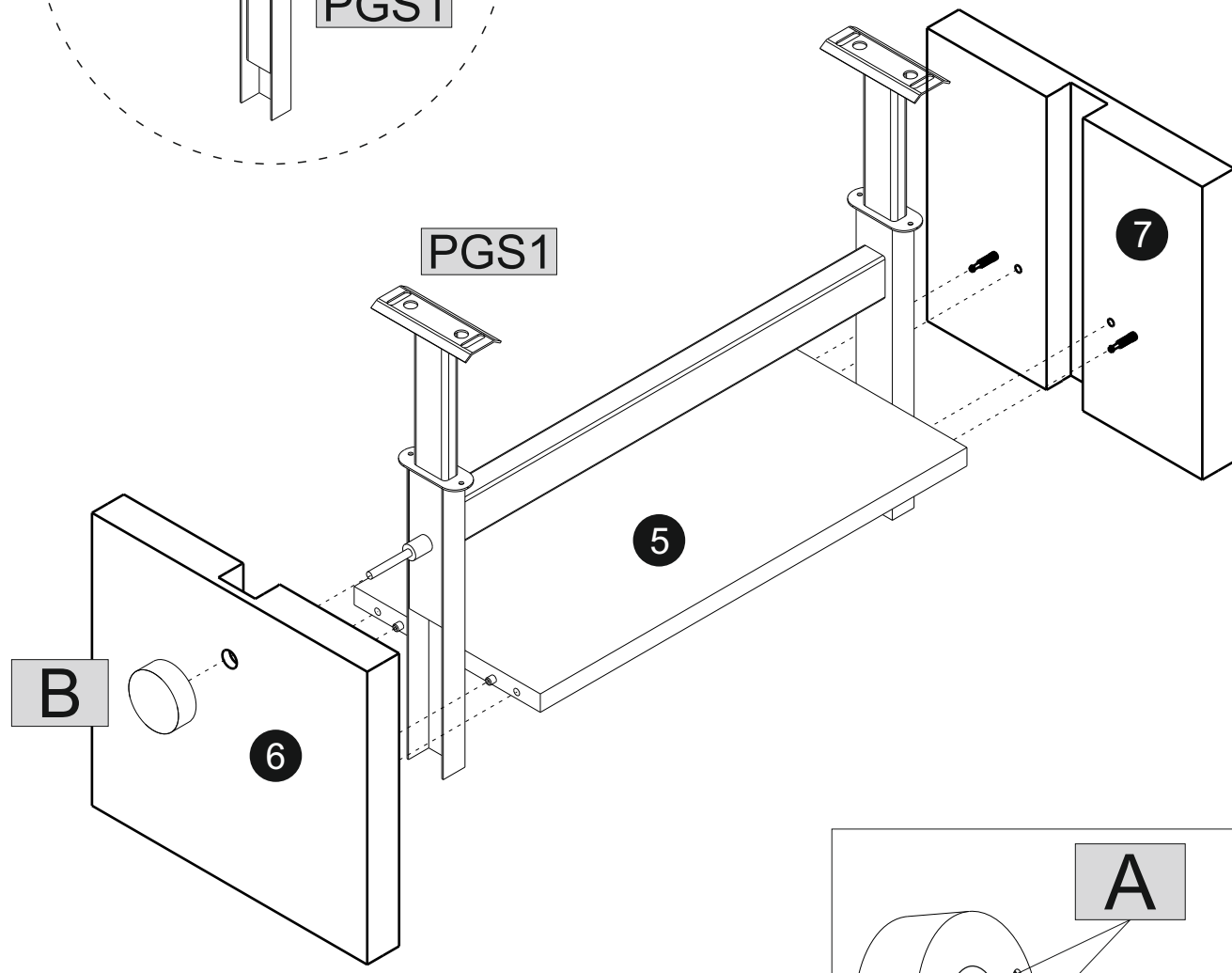
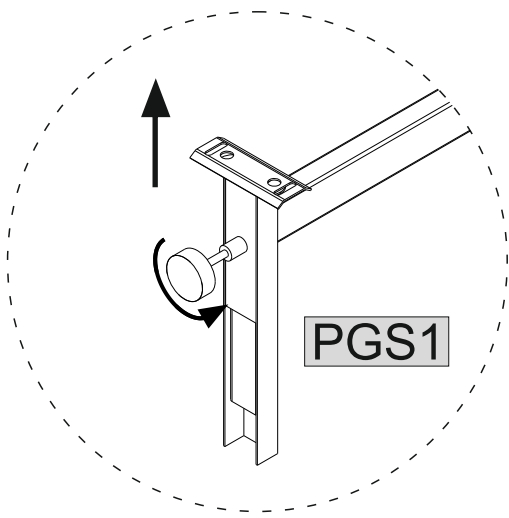
4



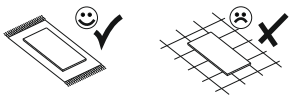
07



	<b>B</b>	1		<b>C</b>	1		<b>KK1</b>	1
	<b>D</b>	1		<b>A</b>	2	3x13		



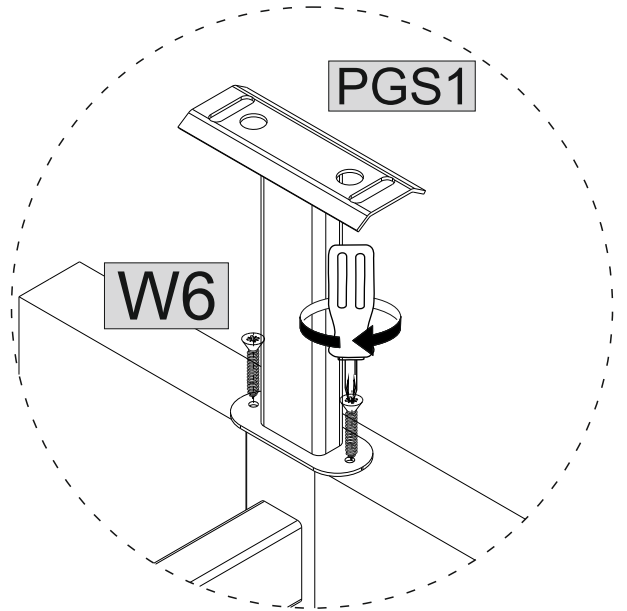
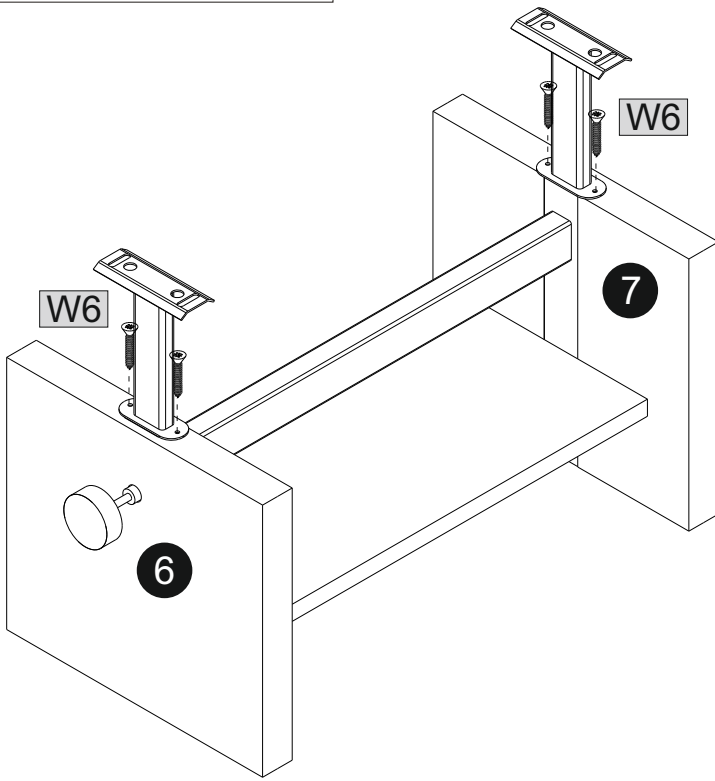
08



4x20

W6

4



09



3x16

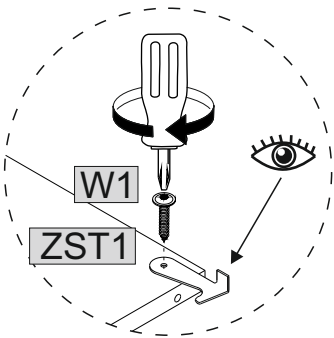
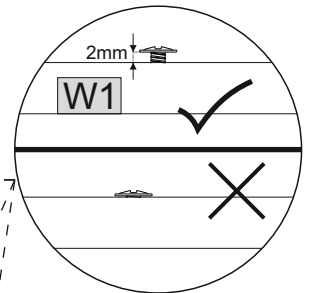
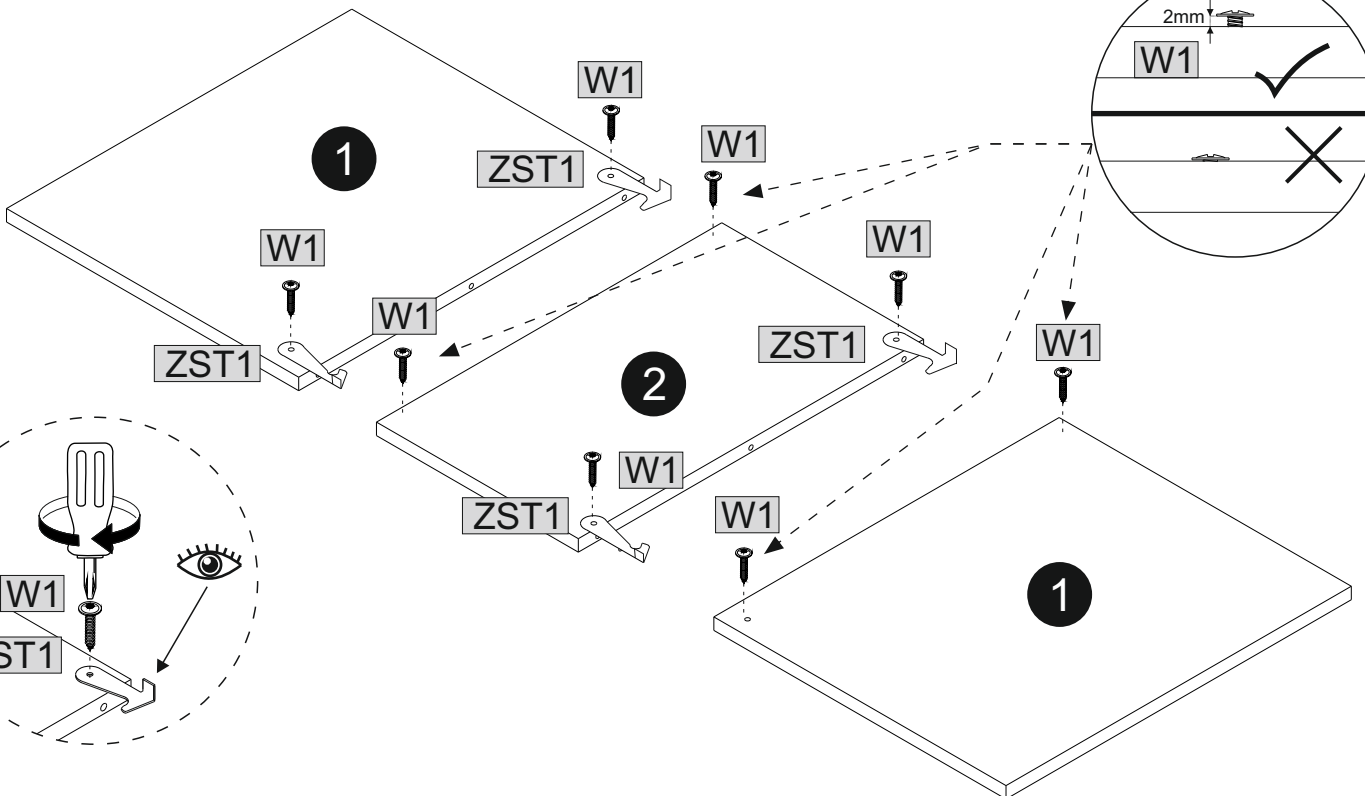


W1

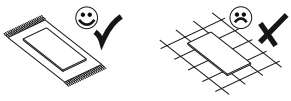
8


ZST1

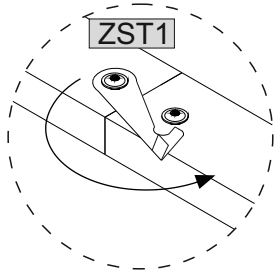
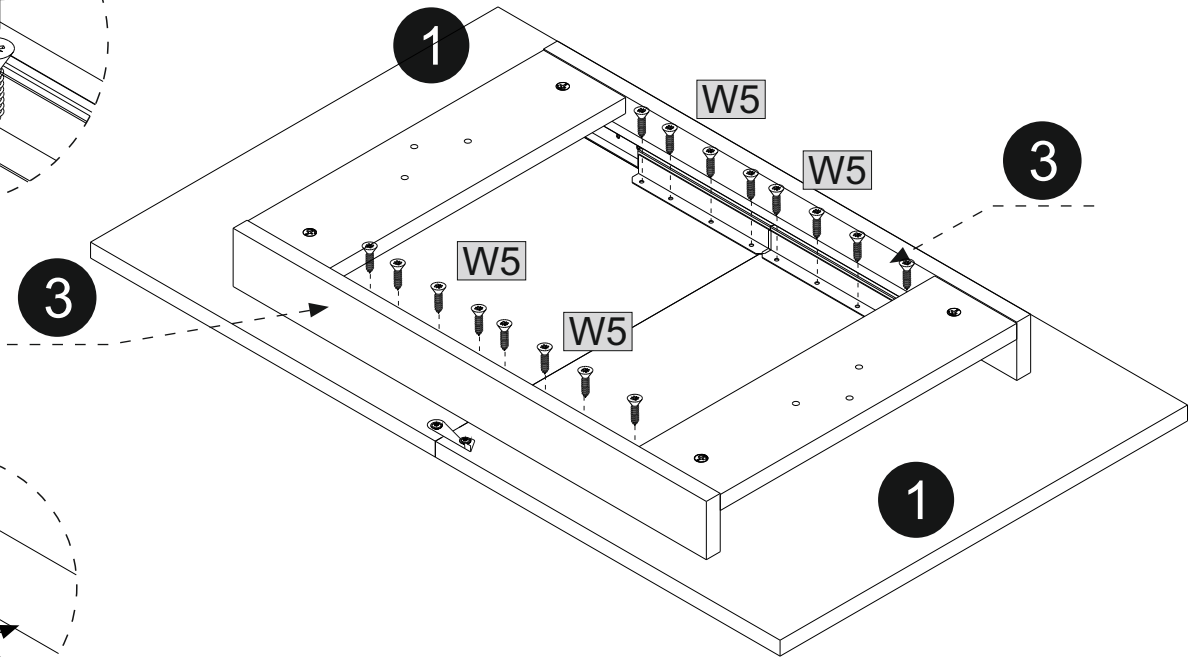
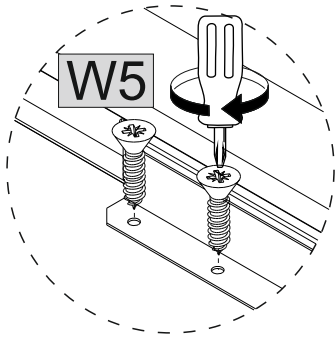
4



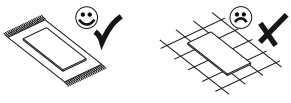
10

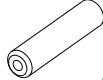
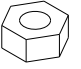


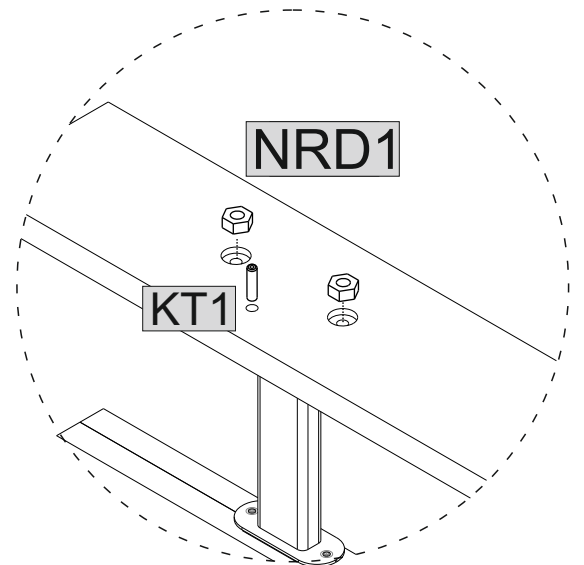
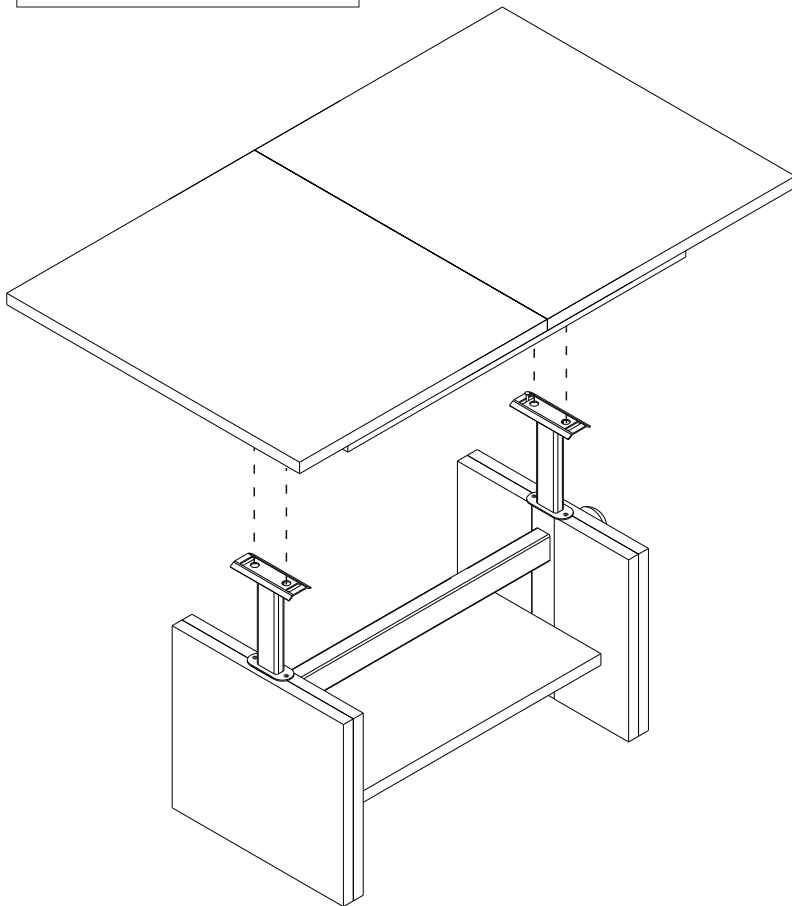
	
4x16	
W5	16



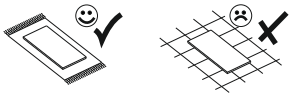
11



	8x35	
KT1	2	NRD1
		4

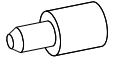


12



KU1B

6



KU1D

6

