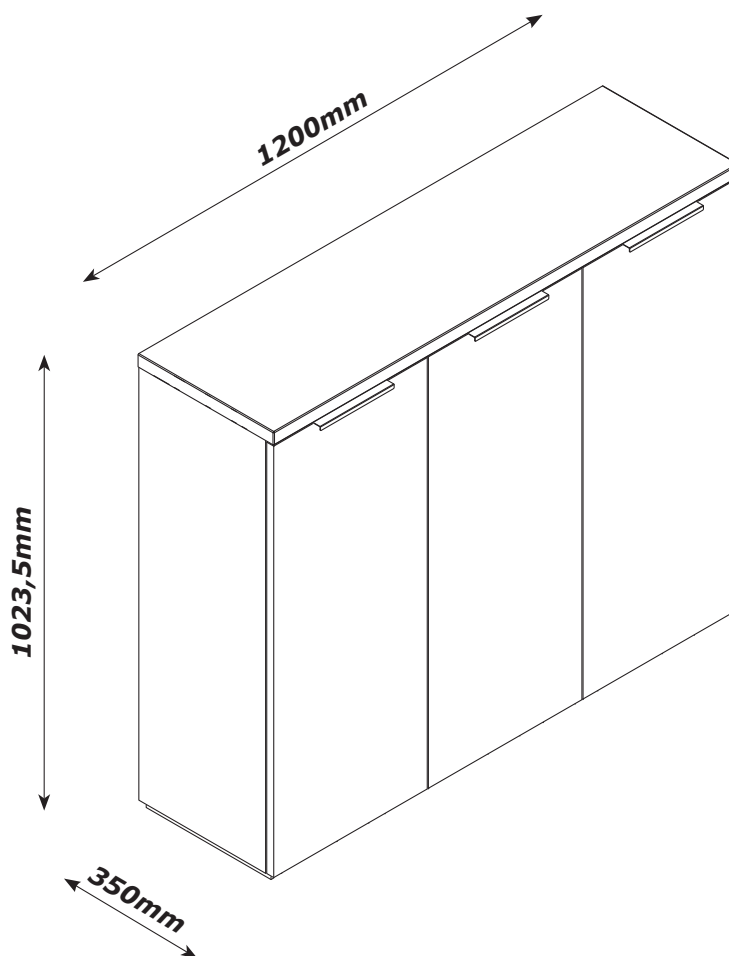


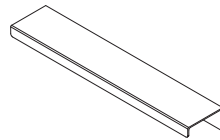
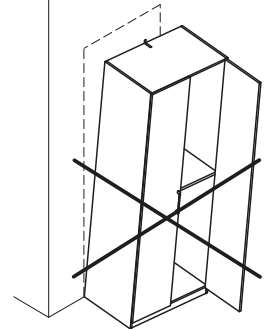
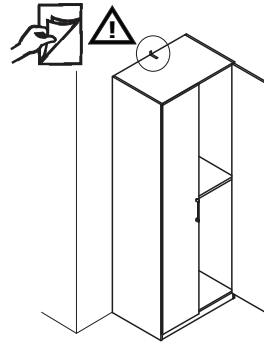
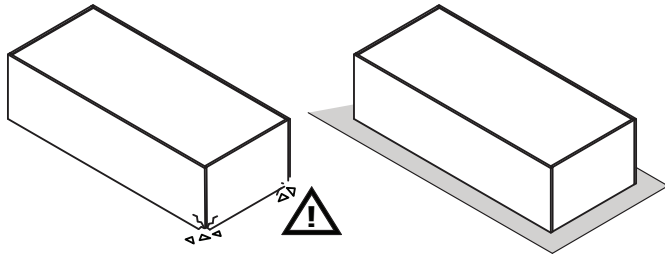
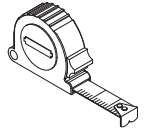
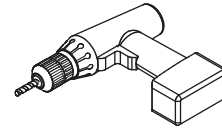
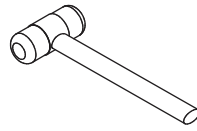
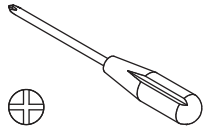
BS3490K73704



QF5367

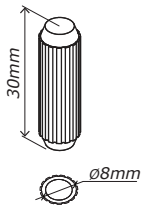


2,5h



M94
x3

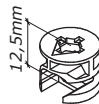
BU4119



H1
x12



T28
x10



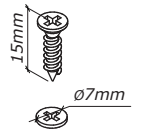
T7
x10



H15
x36



H54
x6



V5
x9



V81
x2



H113
x6



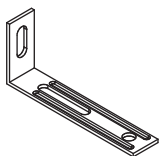
H139
x6



R40
x32



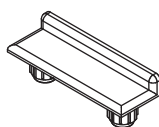
G31
x6



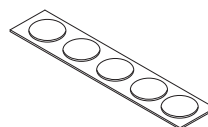
H185
x1



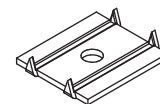
H129
x2



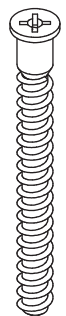
H114
x1



G150
x10

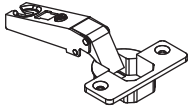


H99
x3

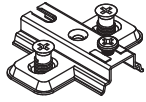


V115
x2

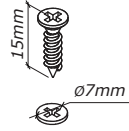
BU2782



C66
x4

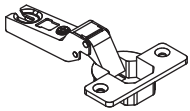


B30
x4

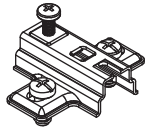


V5
x8

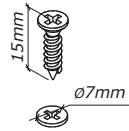
BU3651



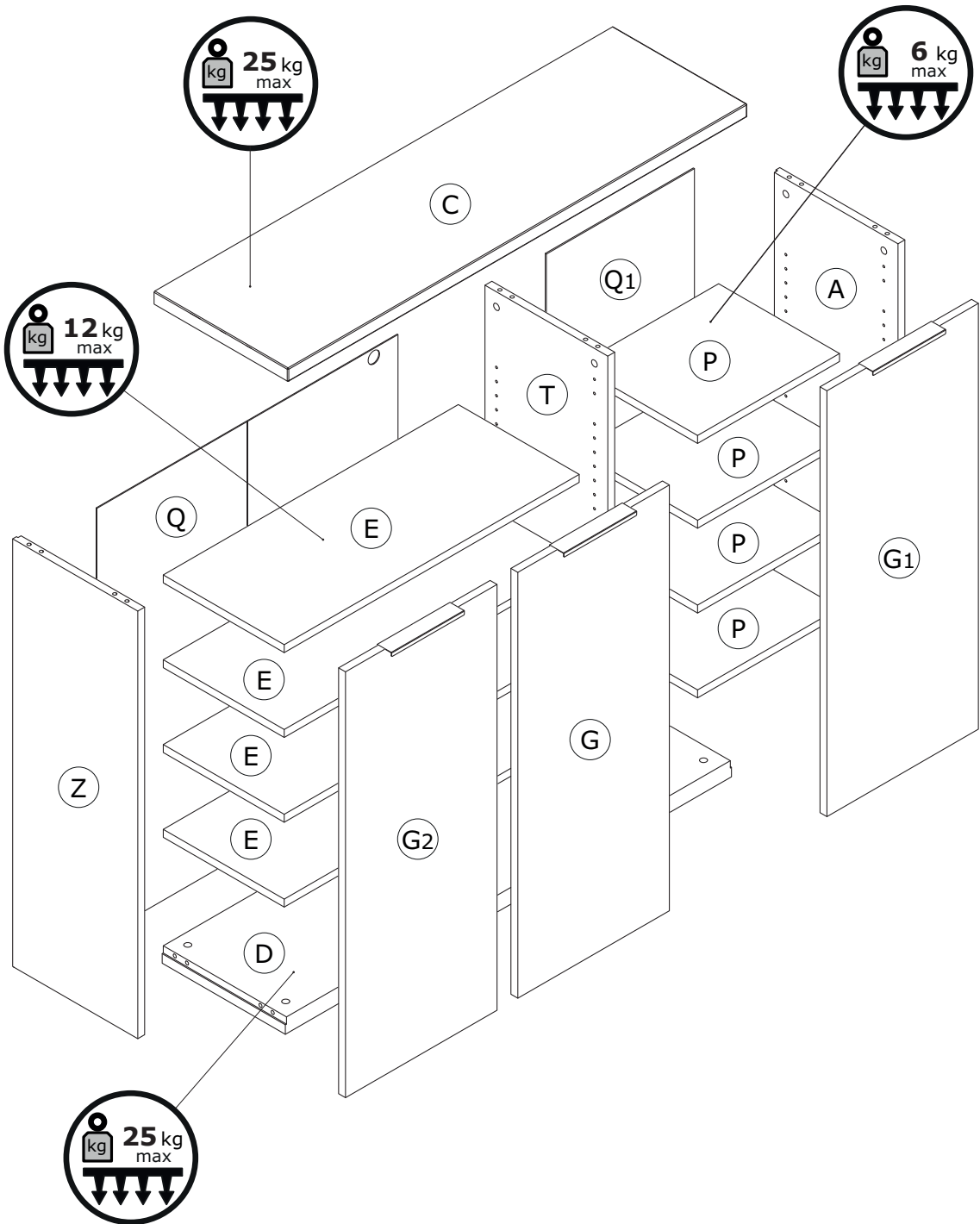
C56
x2

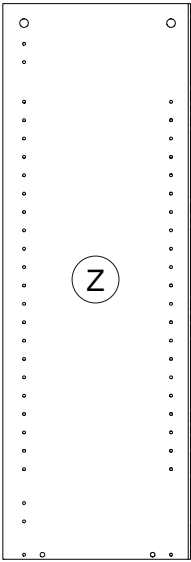


B27
x2

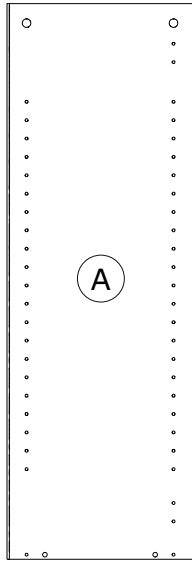


V5
x4

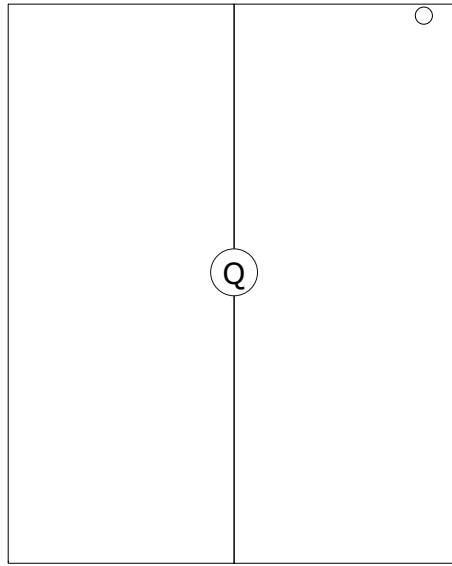




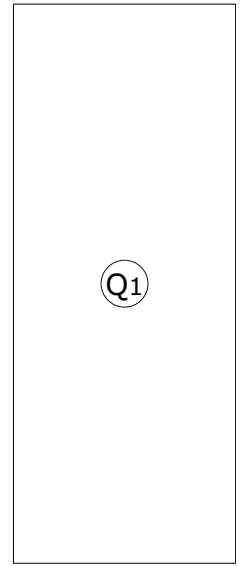
FI8505
968x327x18mm



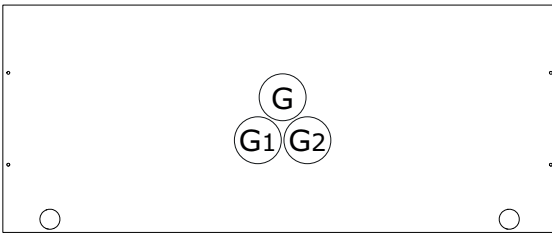
FI8507
968x327x18mm



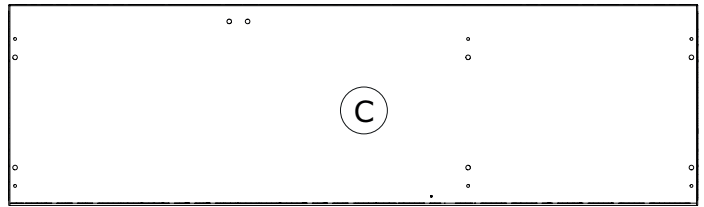
SS0725
974x787x2mm



SH3277
974x387x2mm

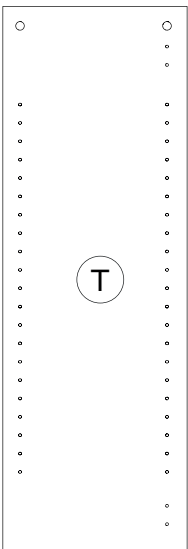


AN2801
964x396x18mm

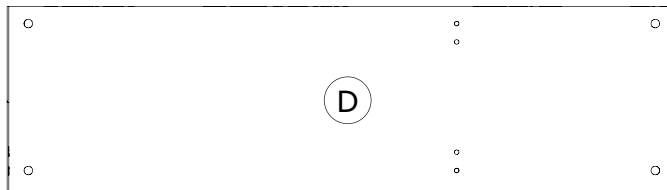


CA3663
1200x350x30mm

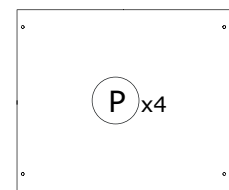
BOX 1/2



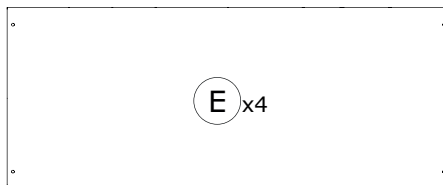
TR2183
952x321x18mm



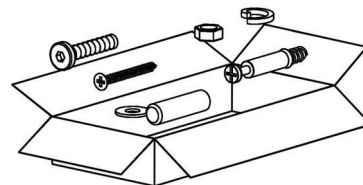
BA2234
1166x322x38mm



PI7075
371x316x18mm

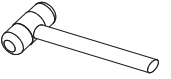
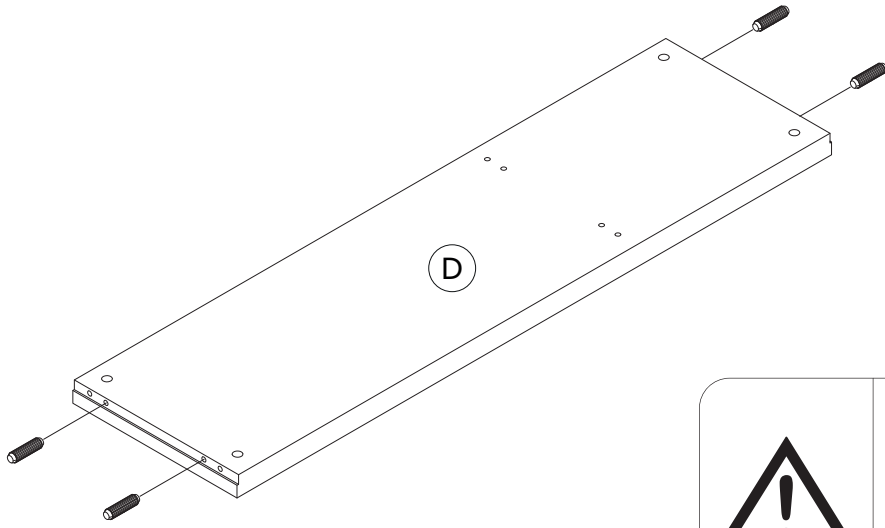


PI7074
771x316x18mm

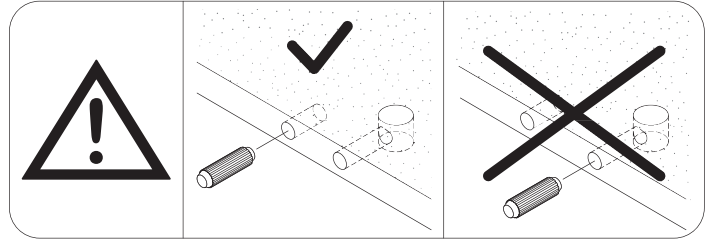
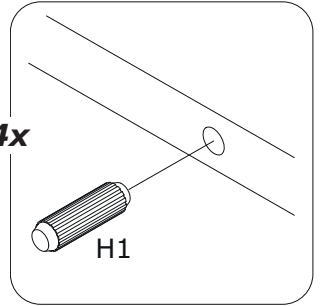


BOX 2/2

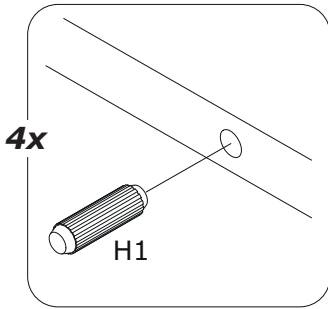
1



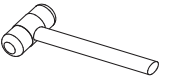
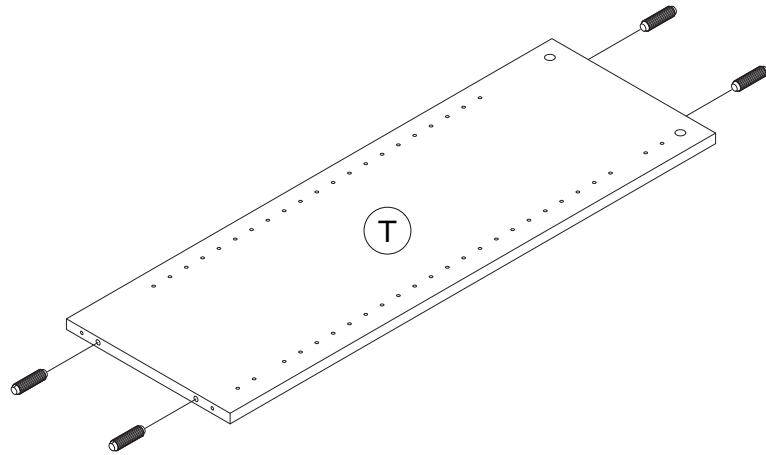
4x



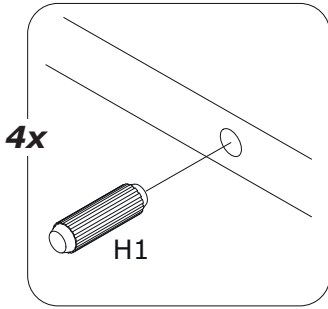
2



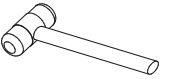
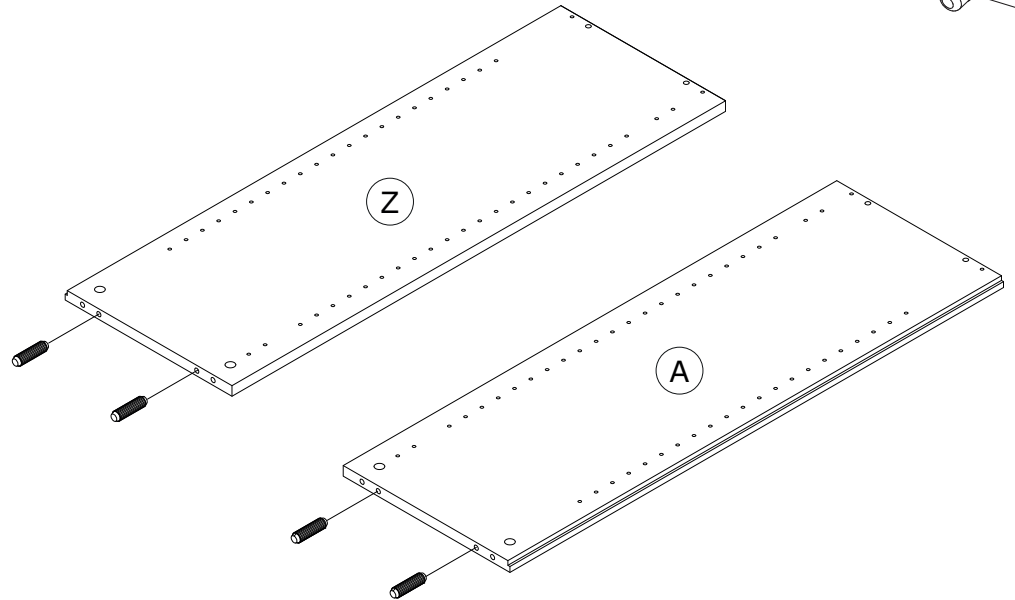
4x



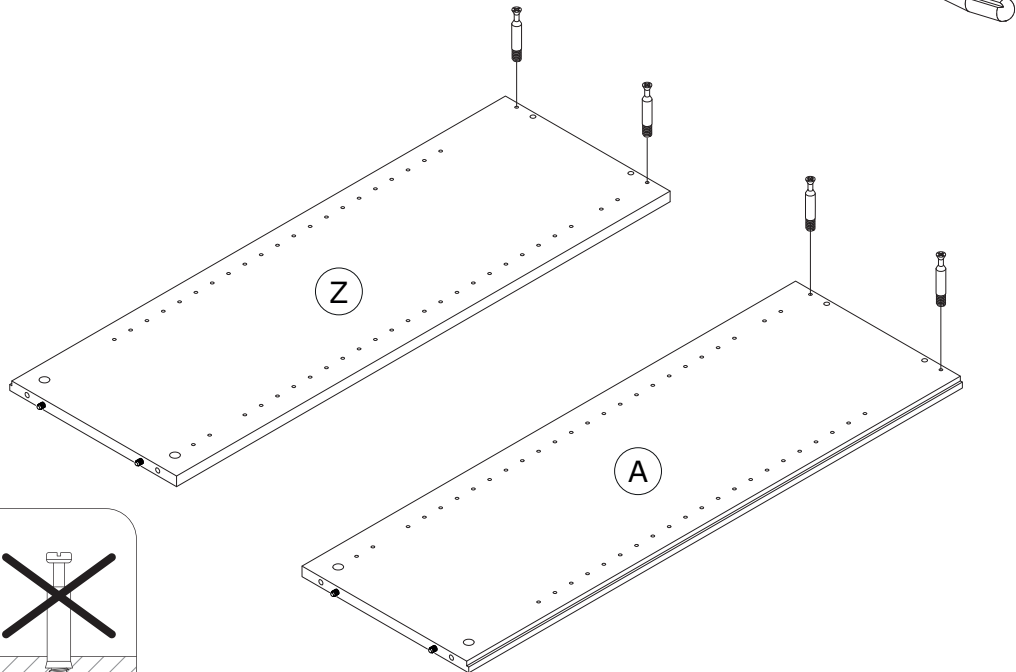
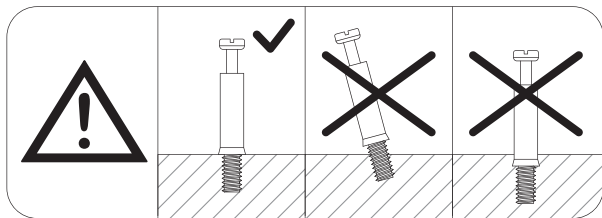
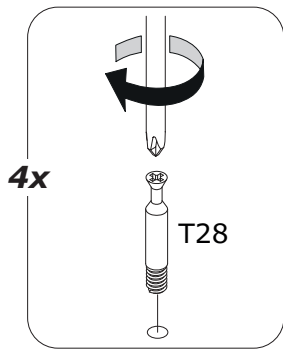
3



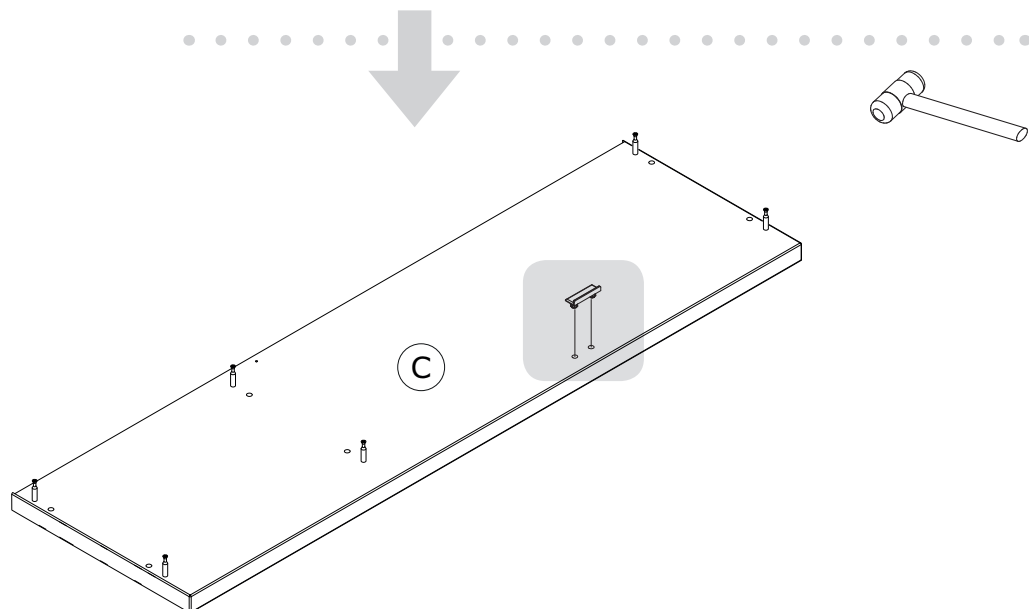
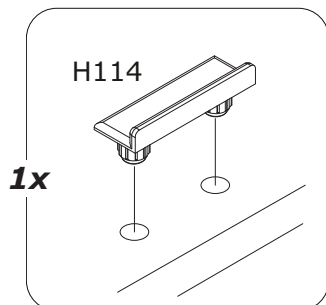
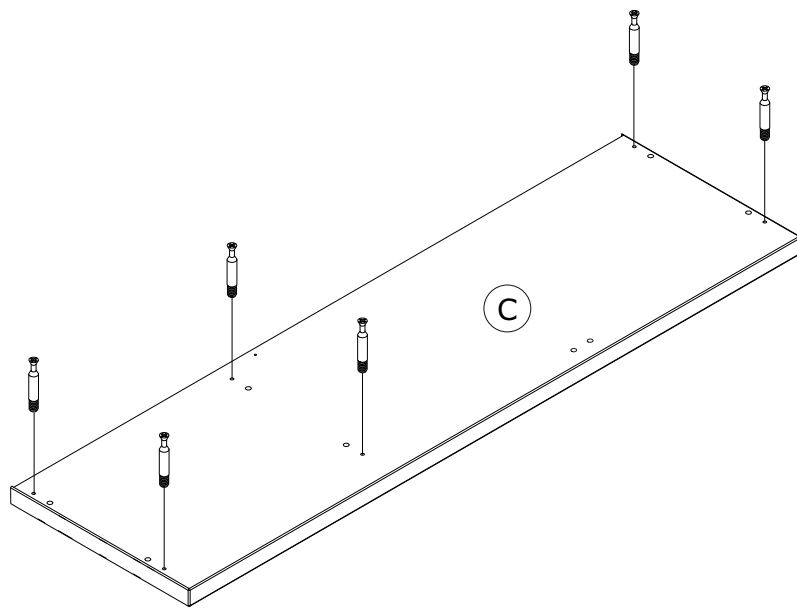
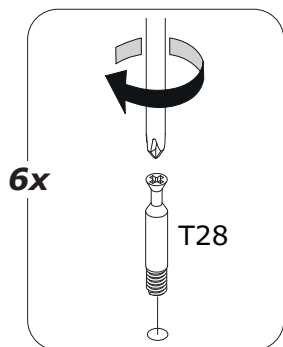
4x



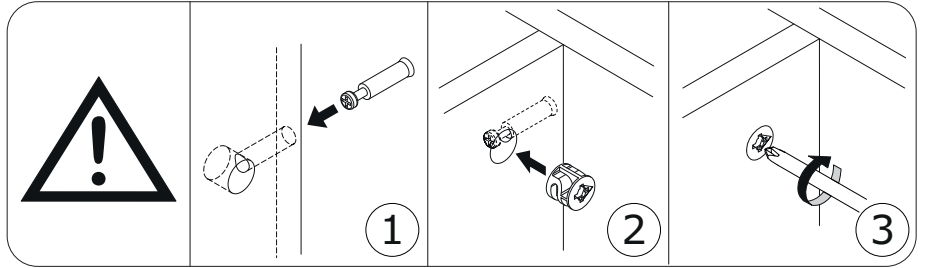
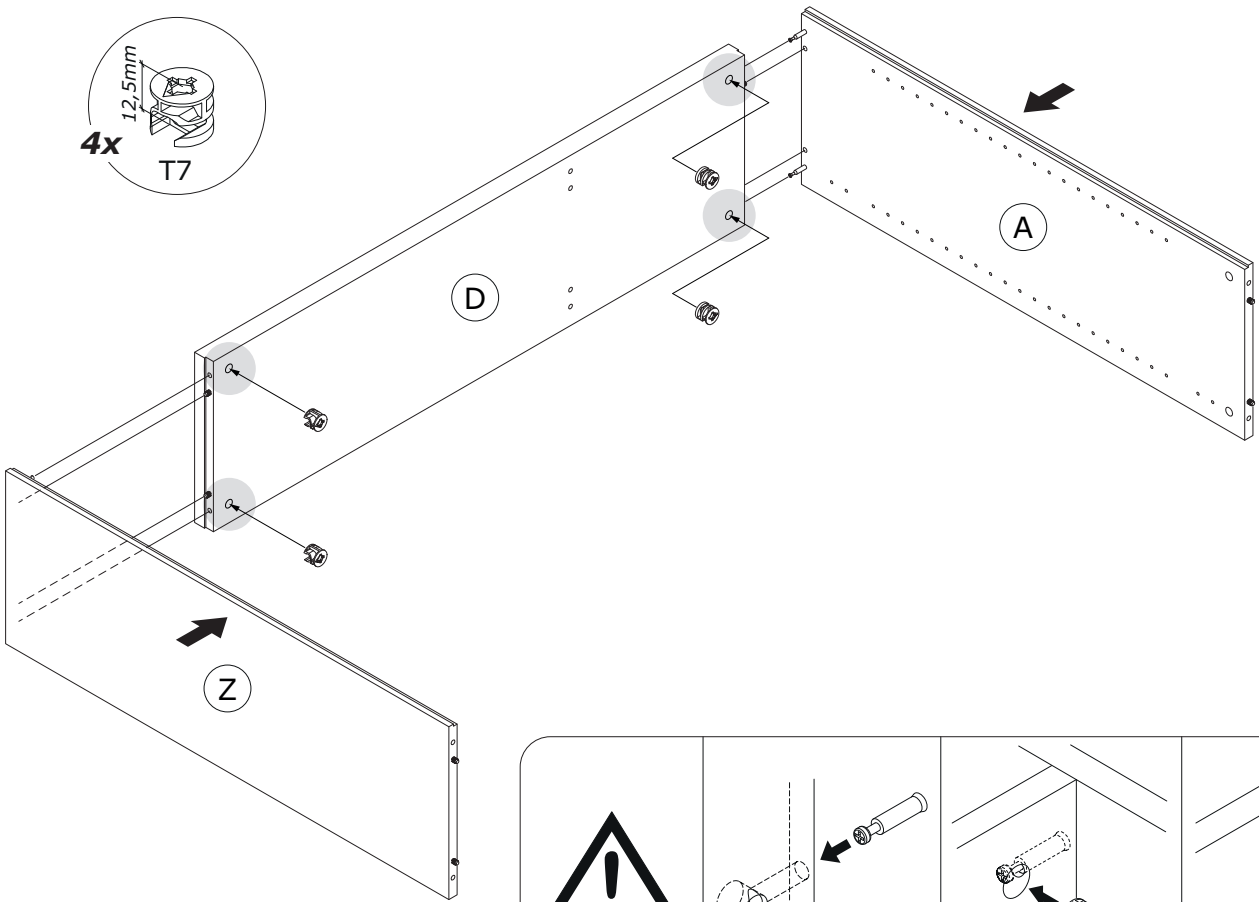
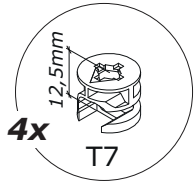
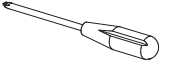
4



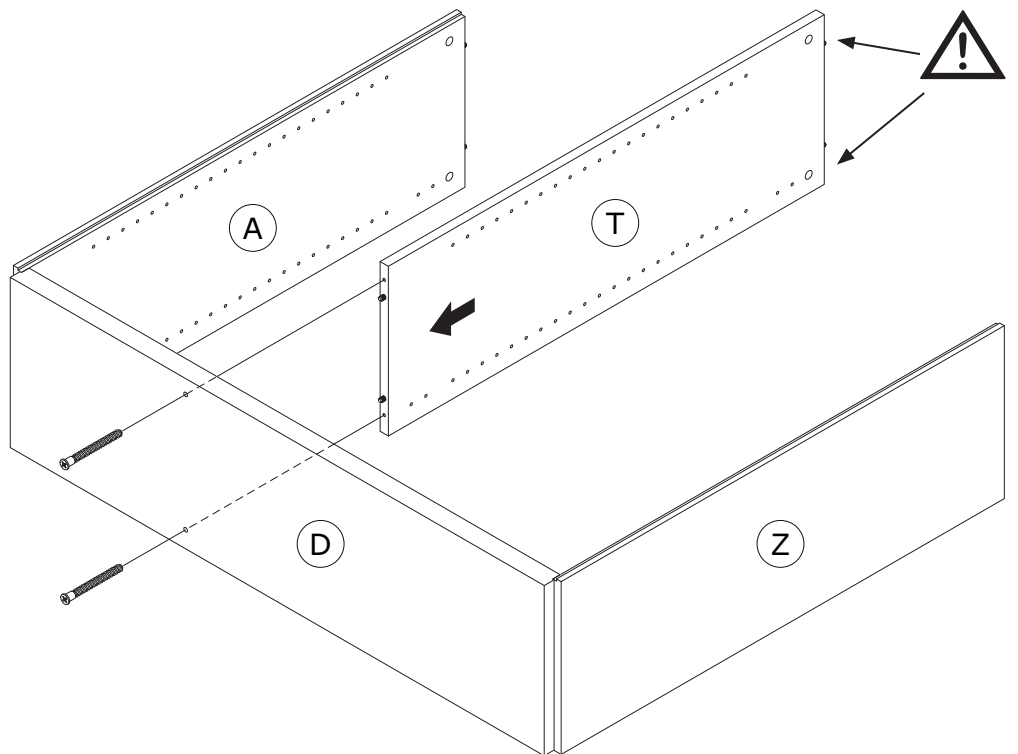
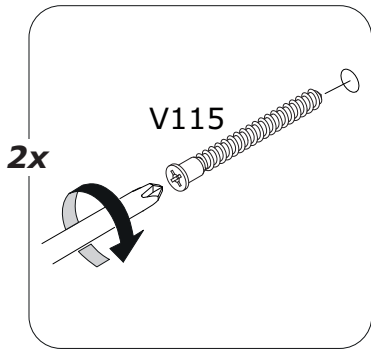
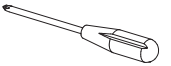
5



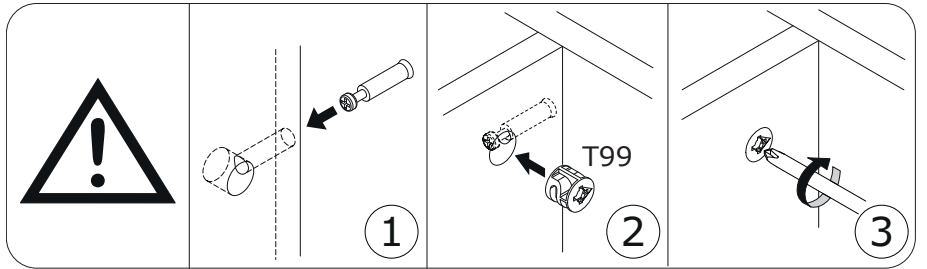
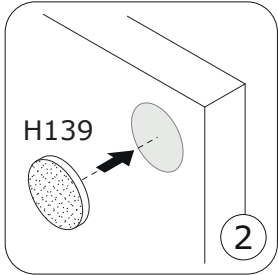
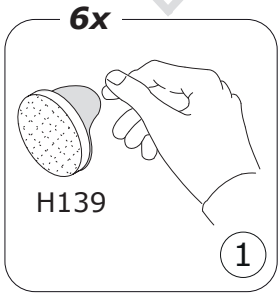
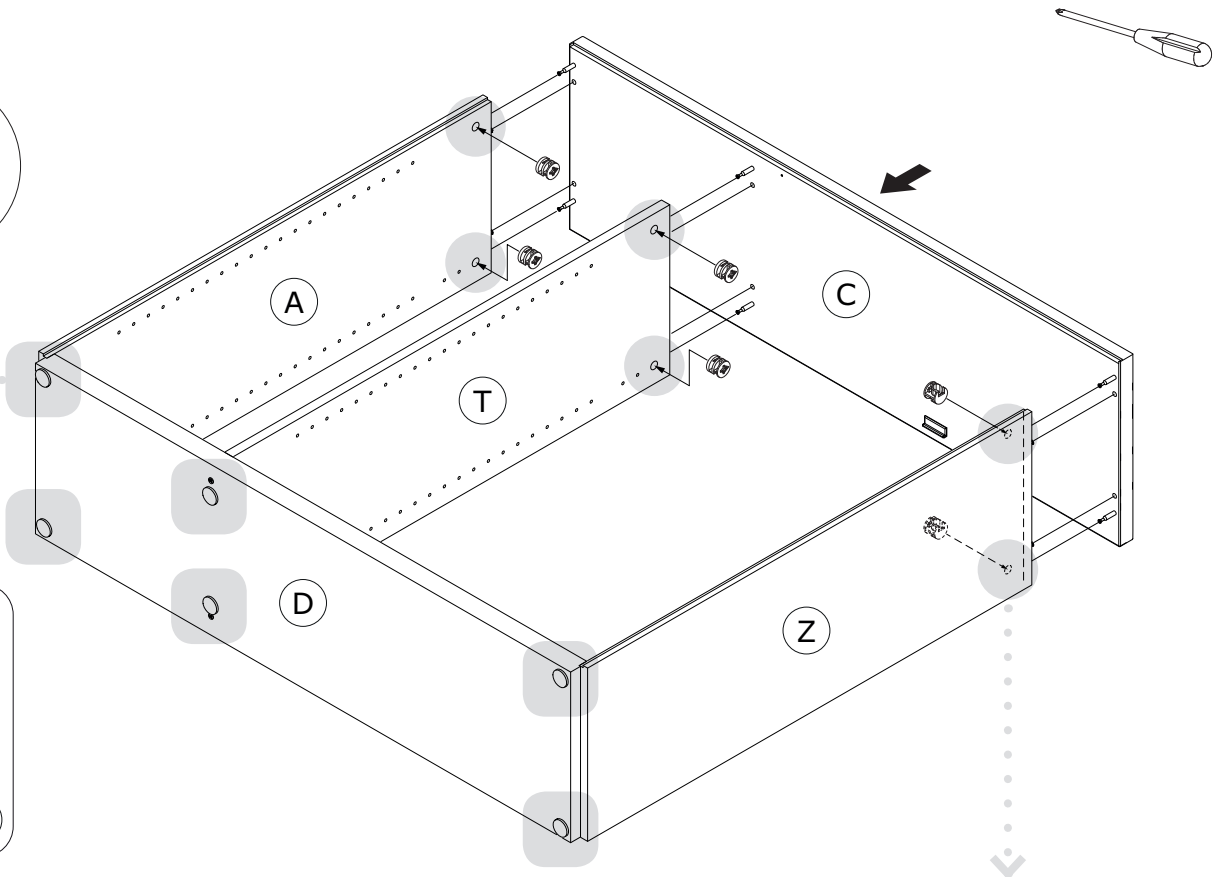
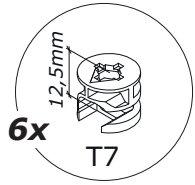
6



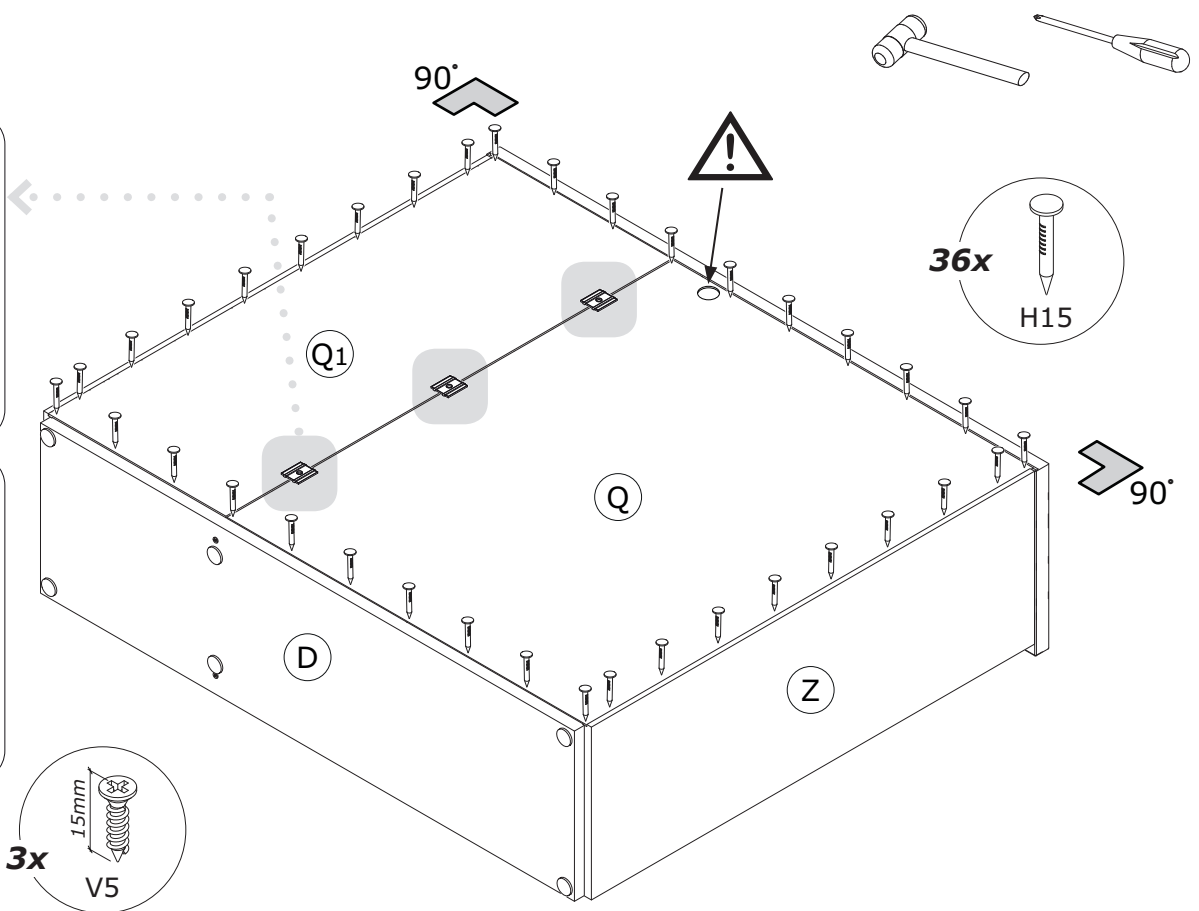
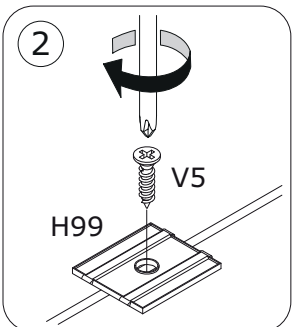
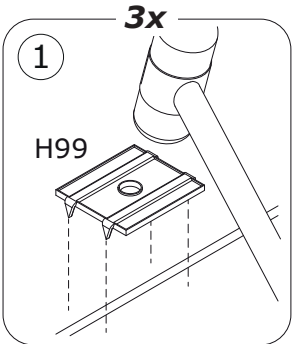
7

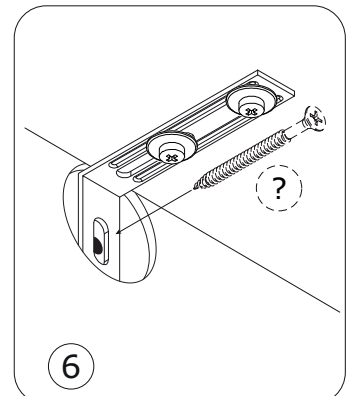
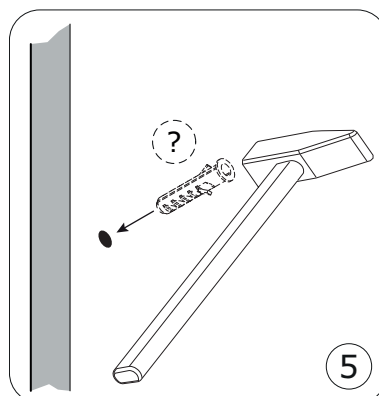
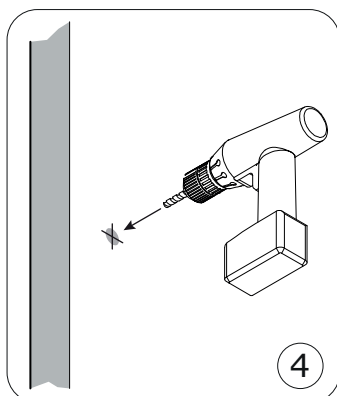
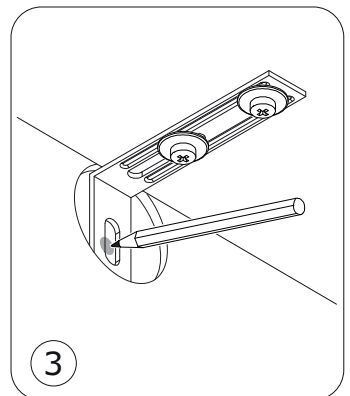
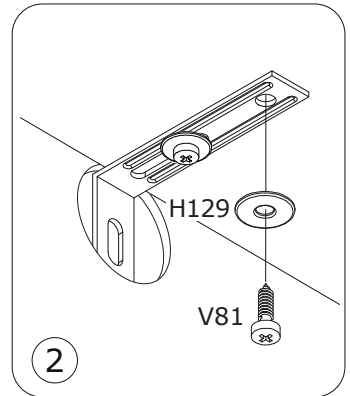
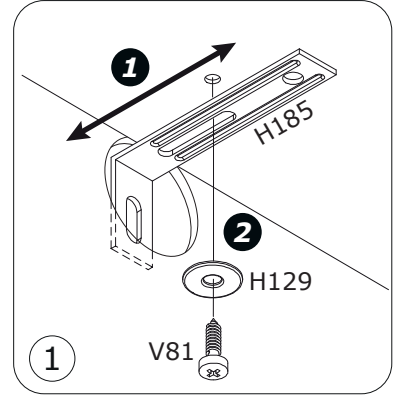
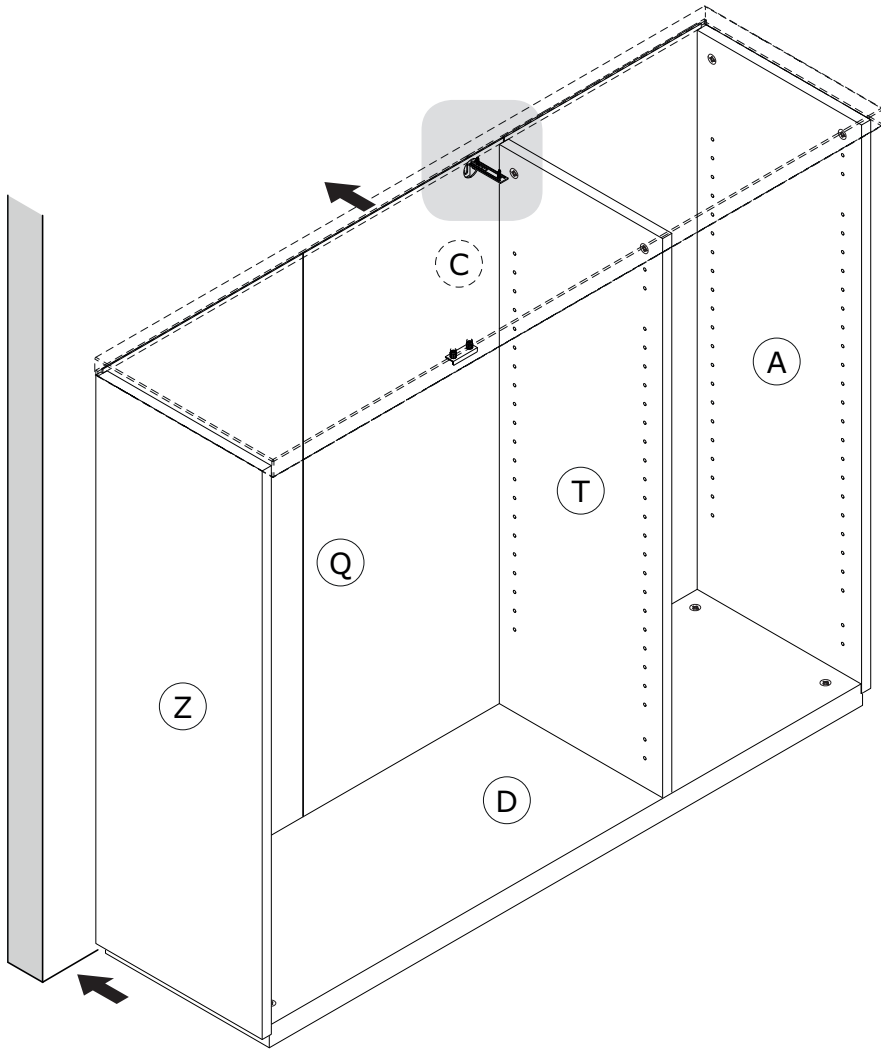
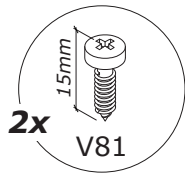
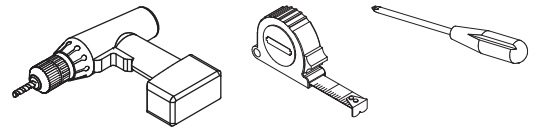


8

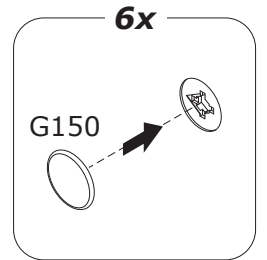
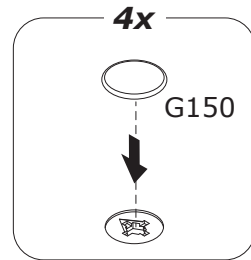
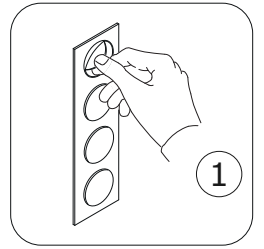
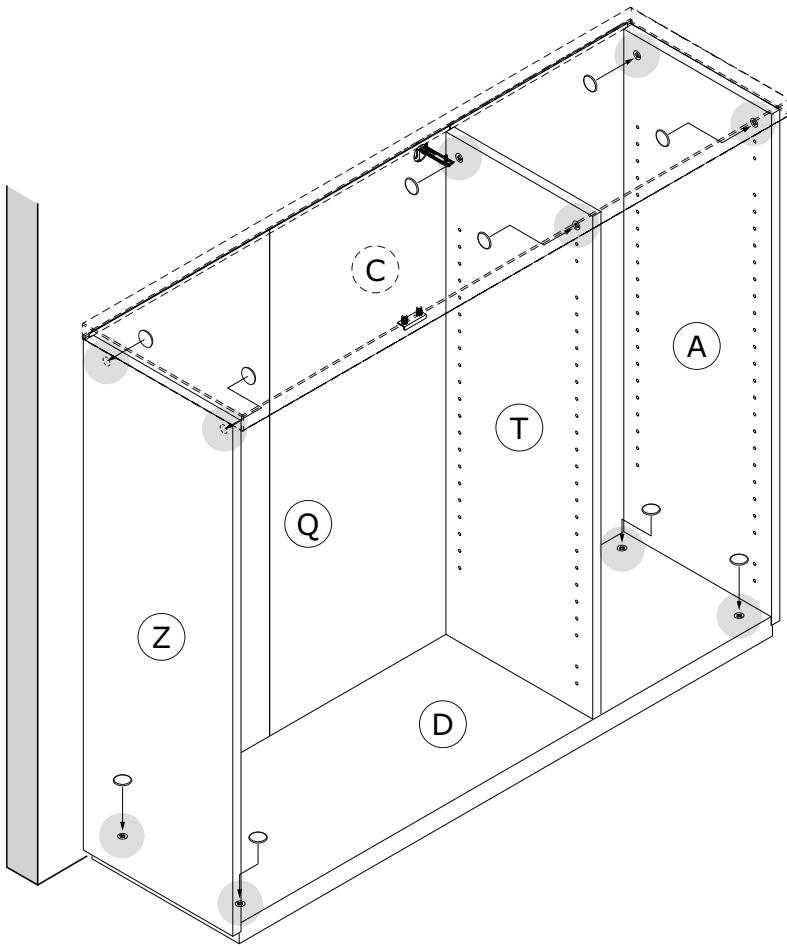
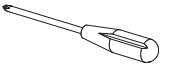


9

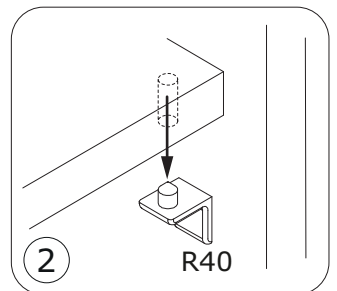
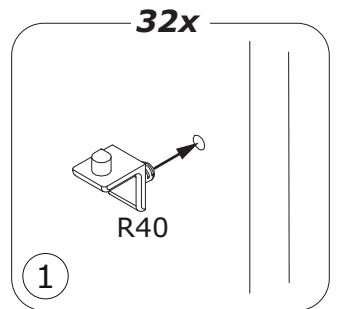
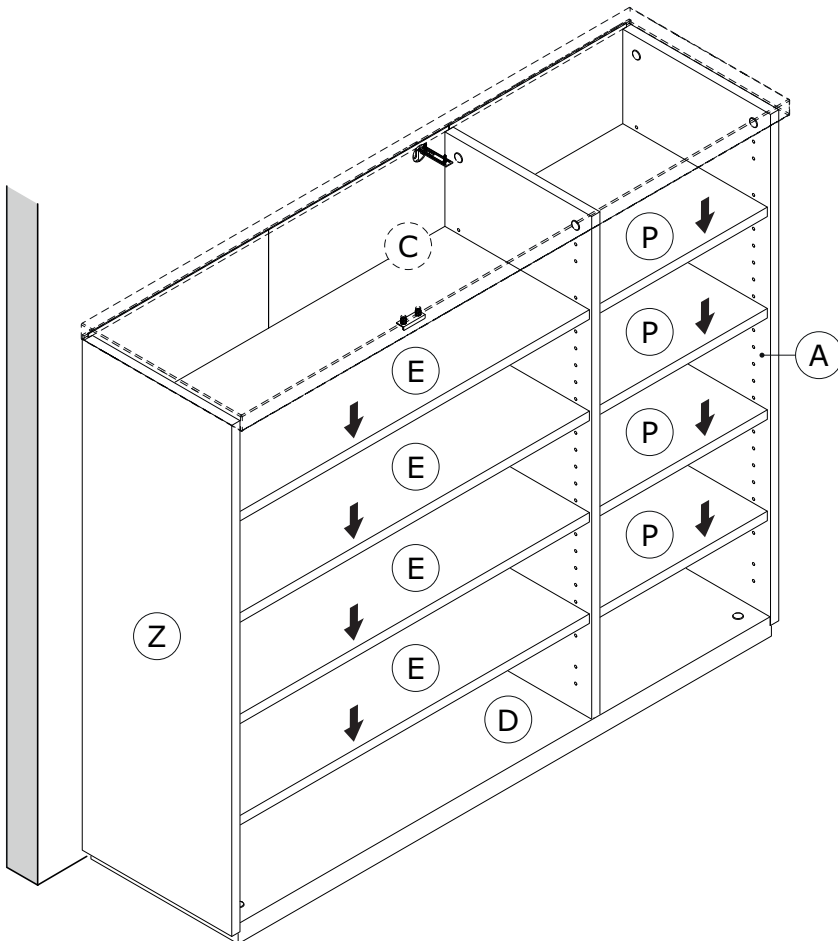
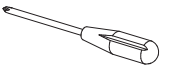


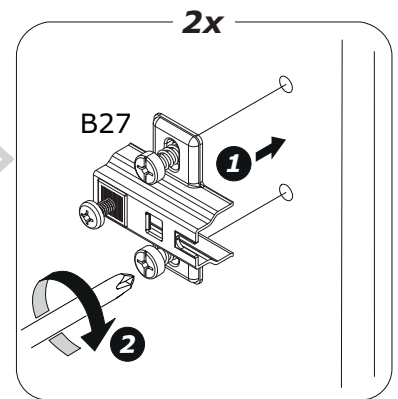
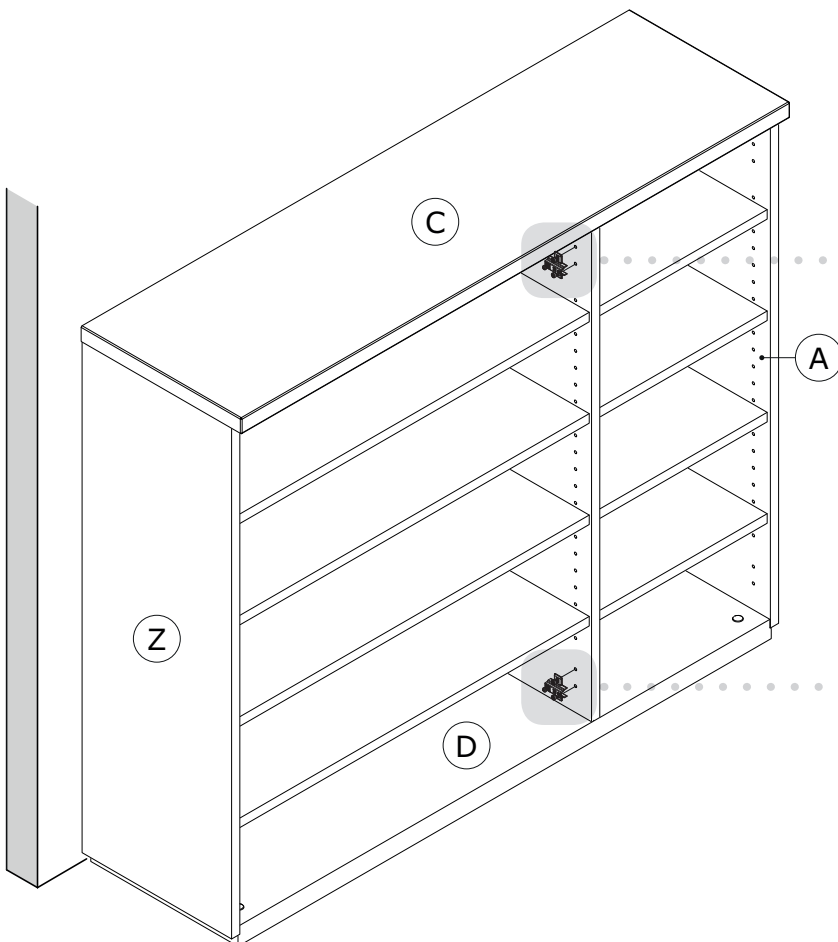
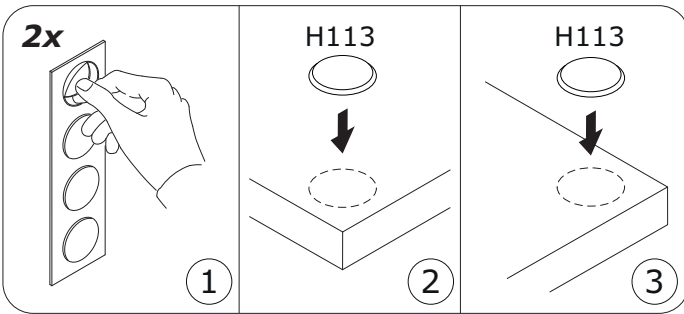
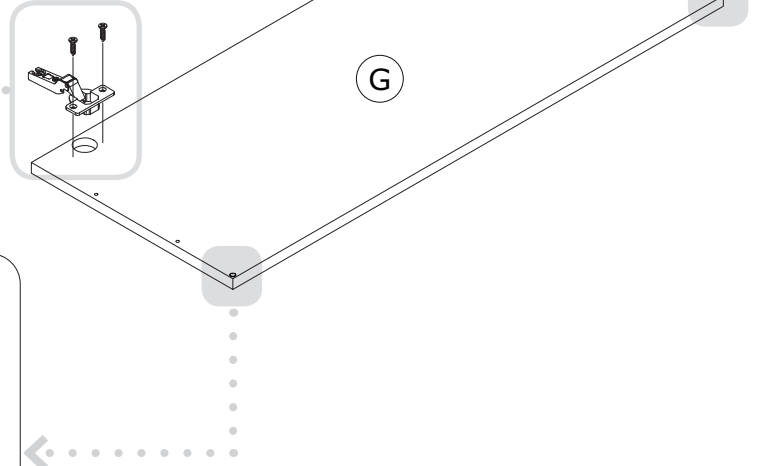
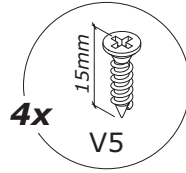
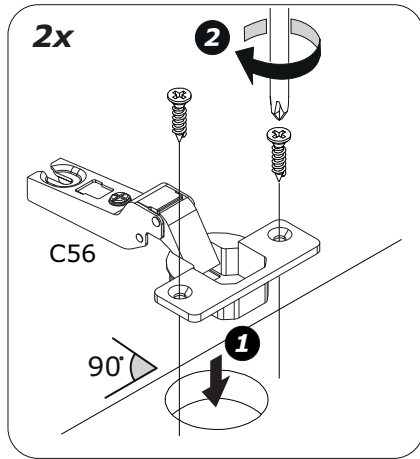
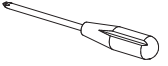


11

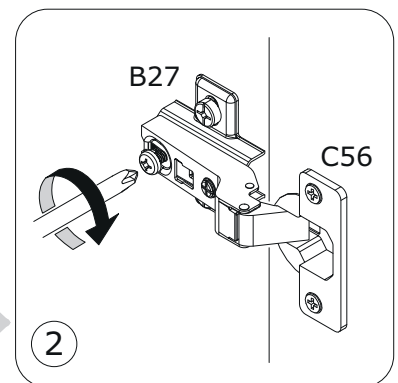
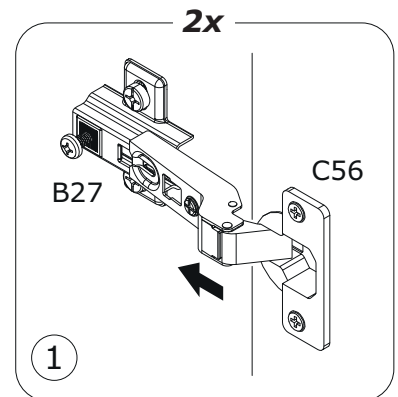
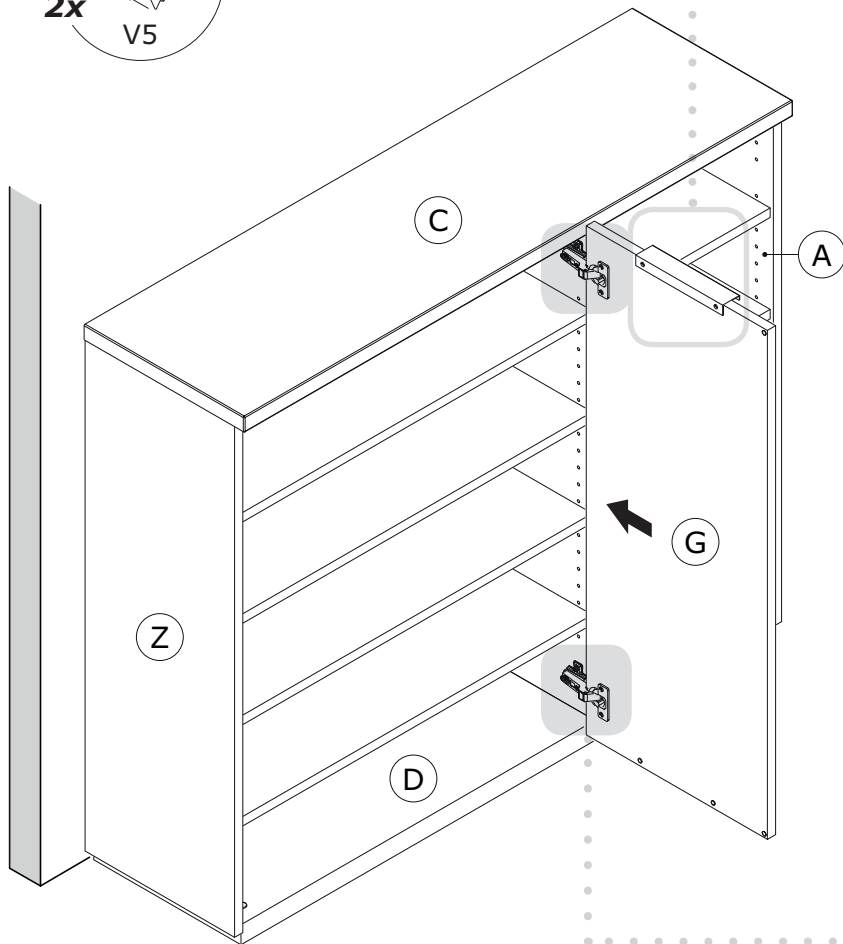
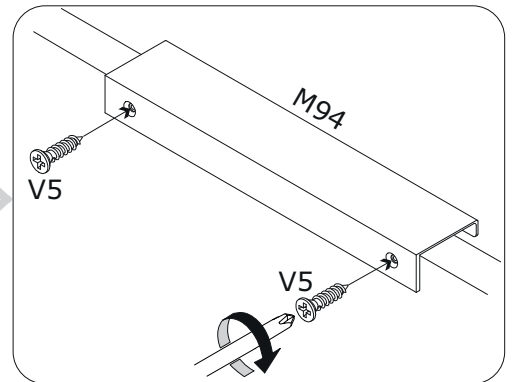
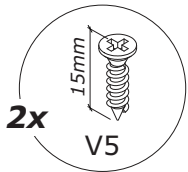
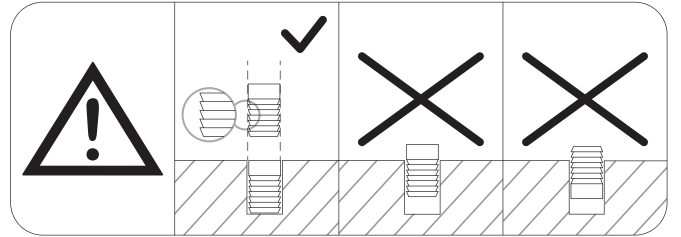
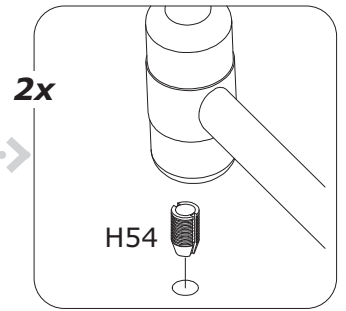
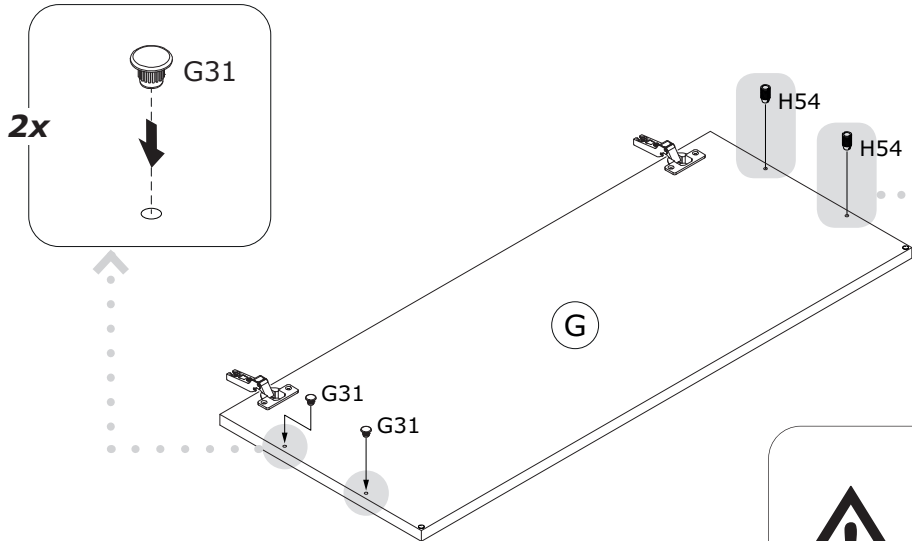
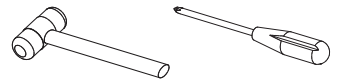


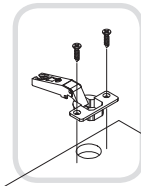
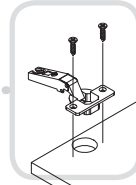
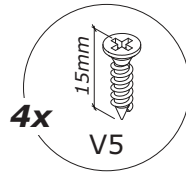
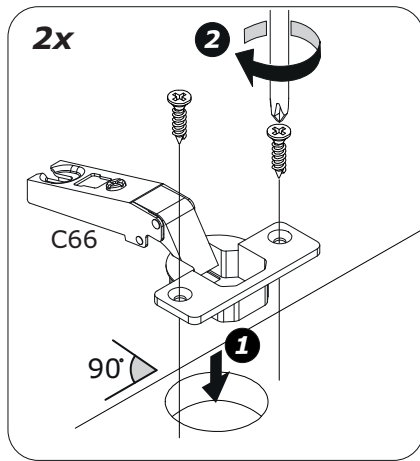
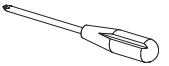
12



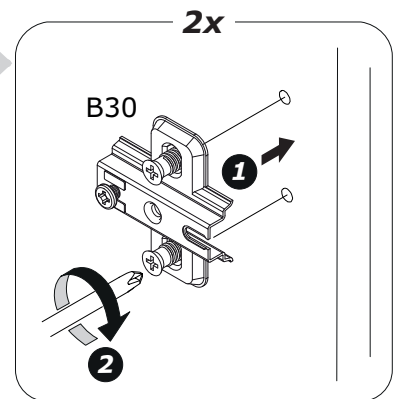
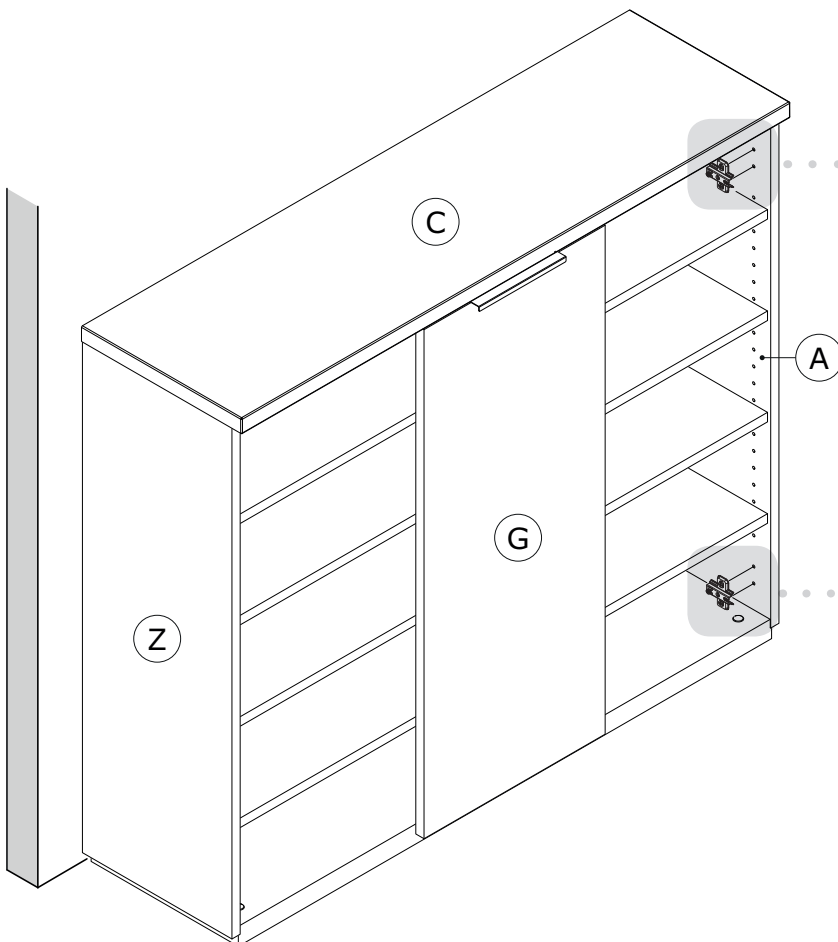
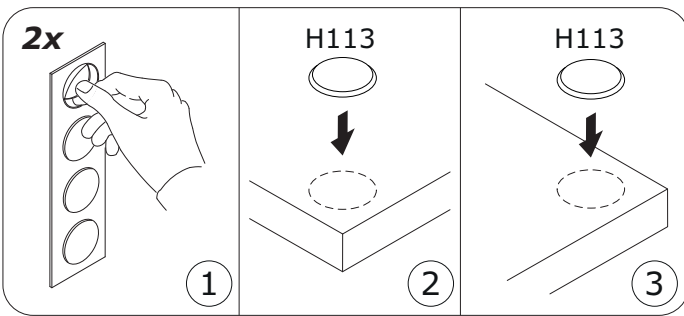


14





G1



16

