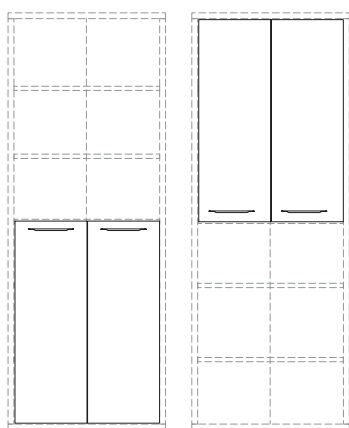
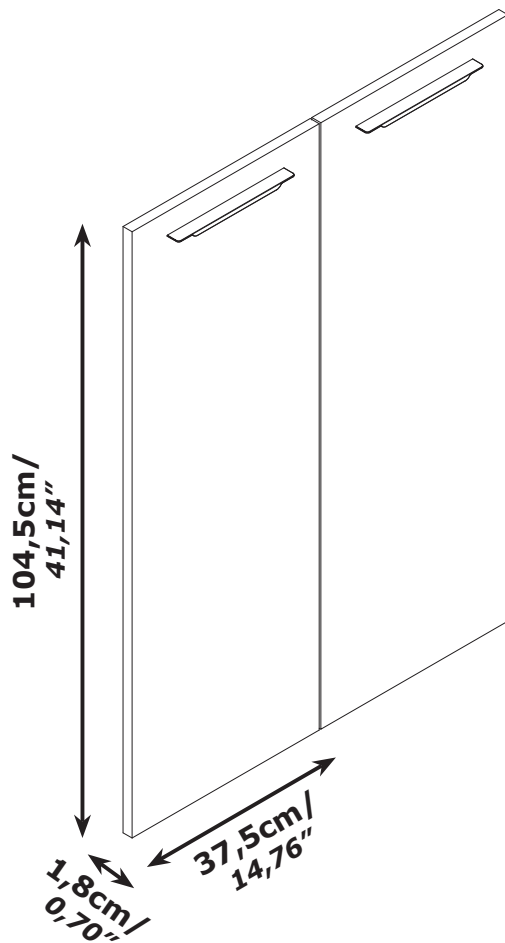


AN4803B30407

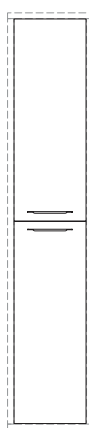


FSC
www.fsc.org

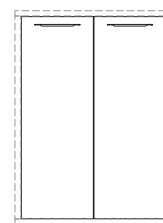
MIX
Wood from
responsible sources
FSC® C011298



A

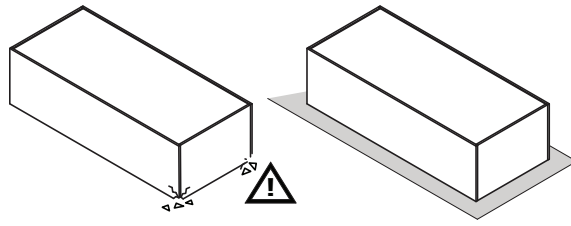
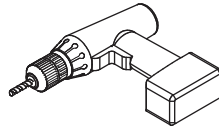
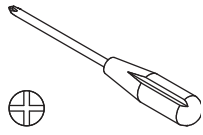
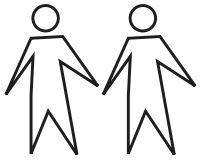


B

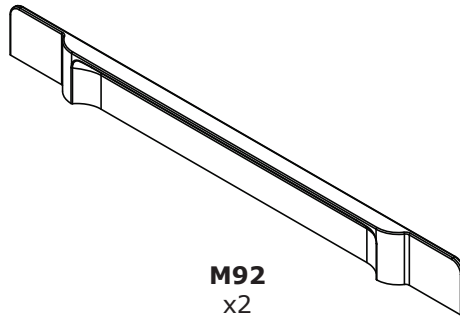


C

QF5198



BU2941



M92
x2

BU2927



H113
x4



V137
x4

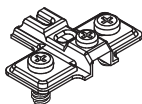


G31
x4

BU0319 x2



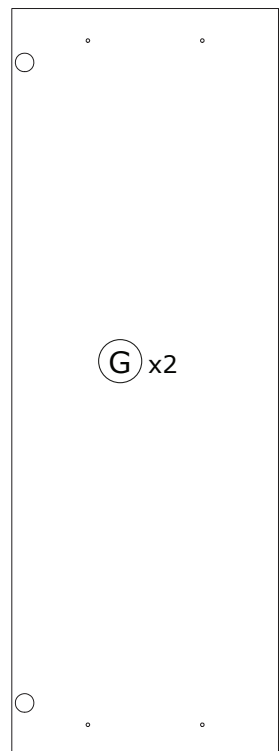
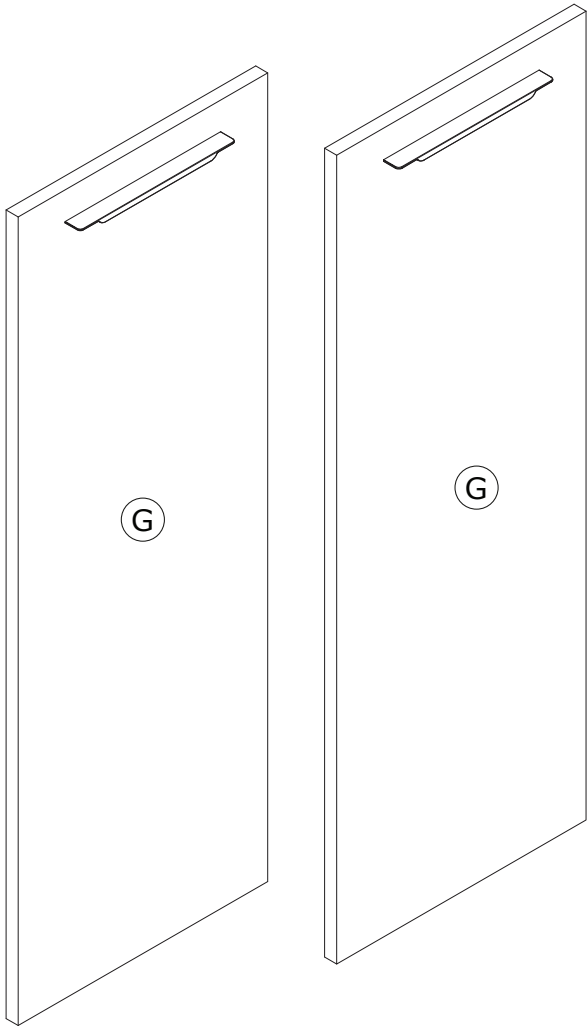
C39
x2



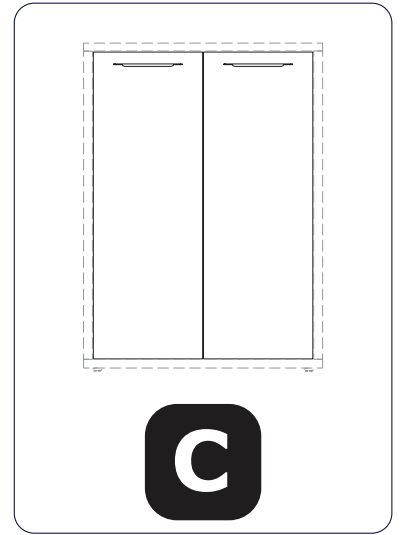
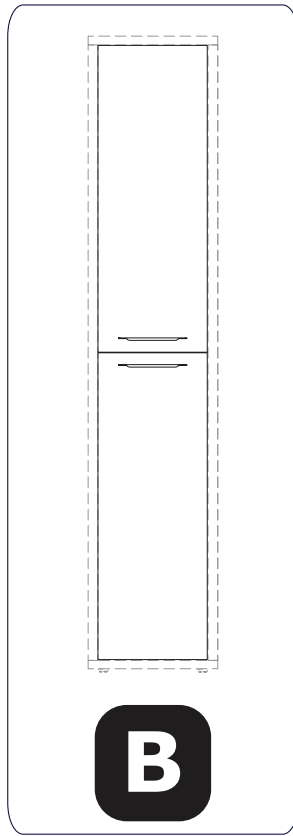
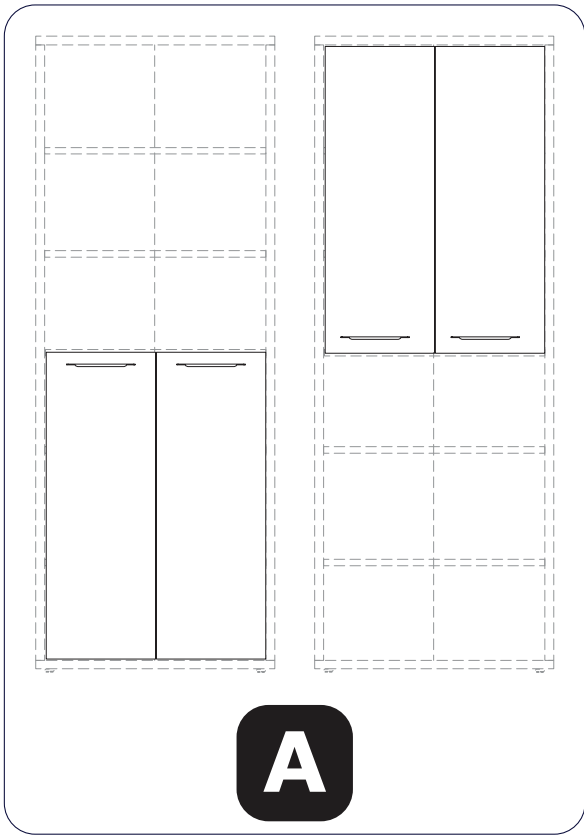
B9
x2



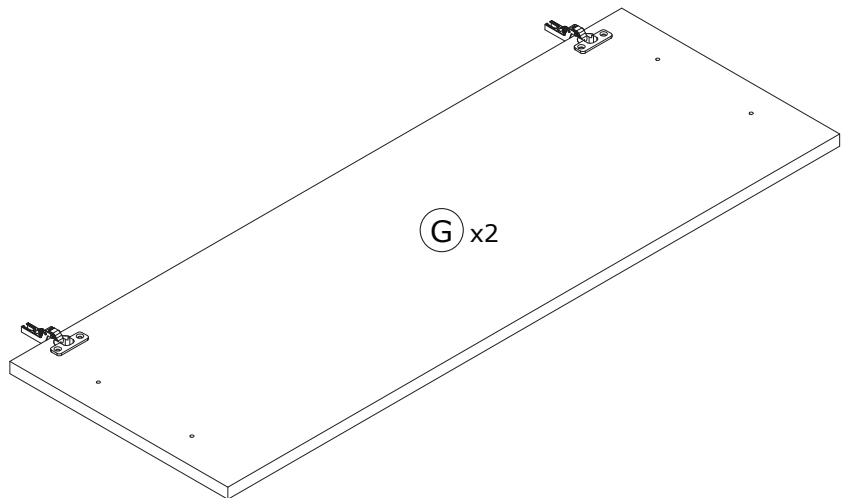
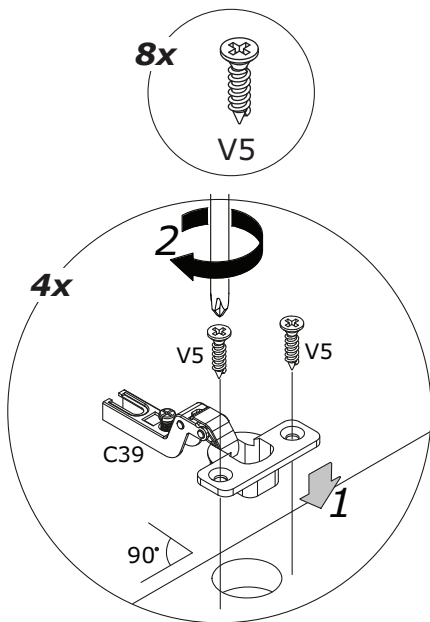
V5
x4

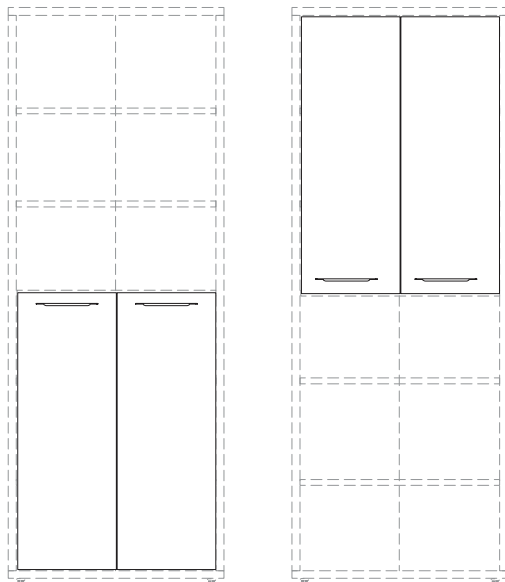


AN2462
1047x373x18mm/
41,22" x 1,68" x 0,71"



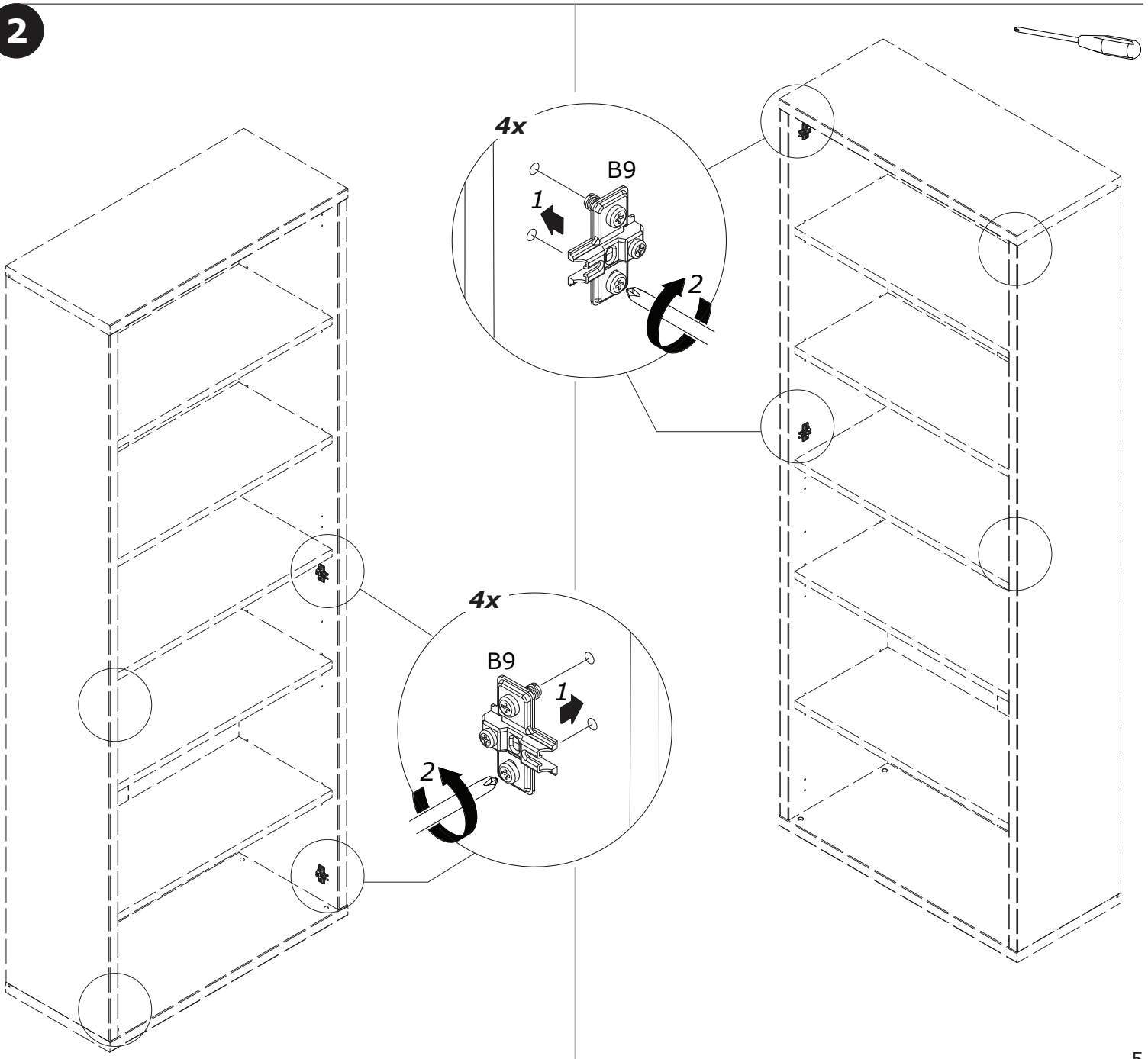
1





A

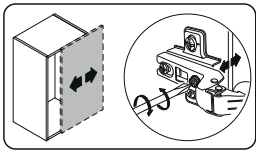
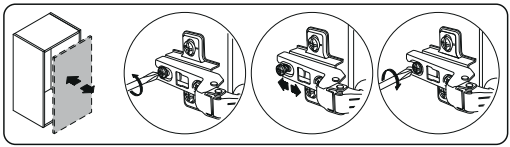
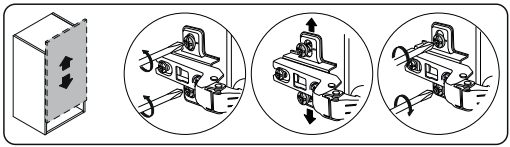
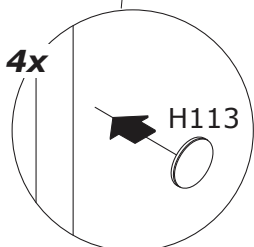
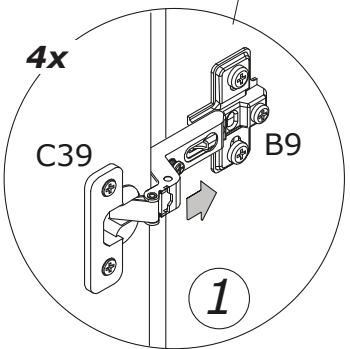
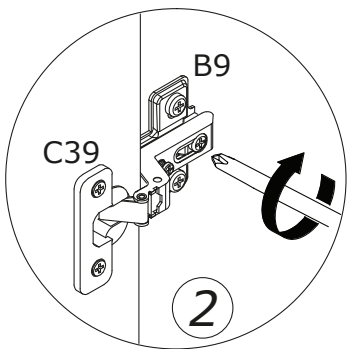
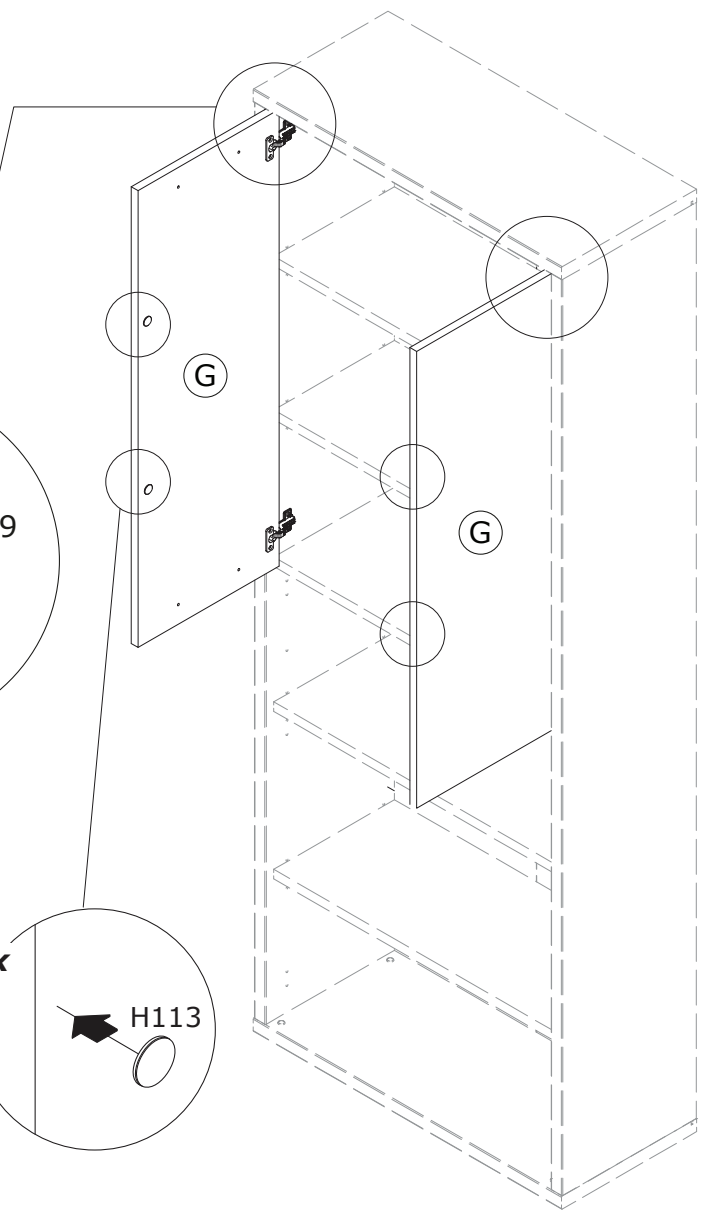
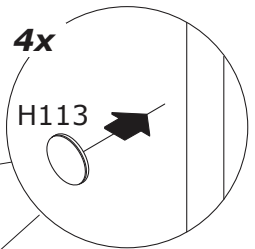
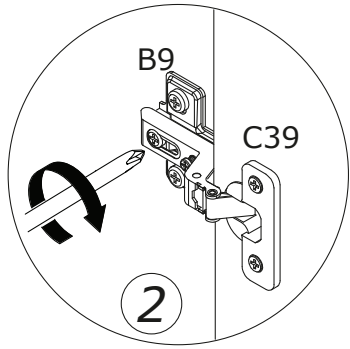
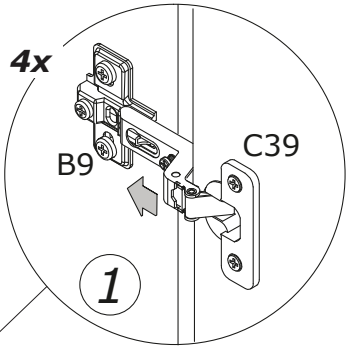
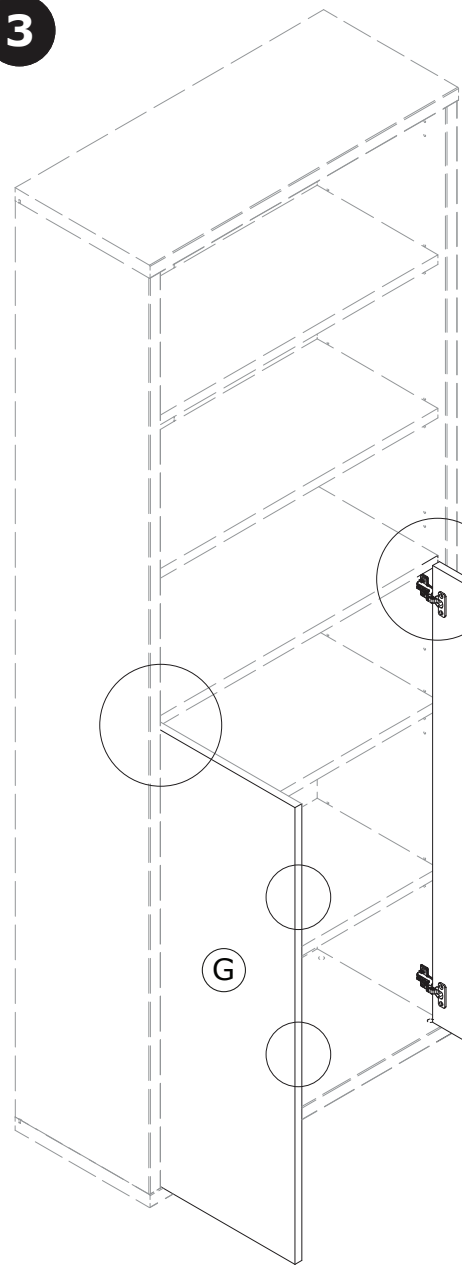
2



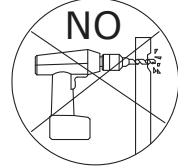
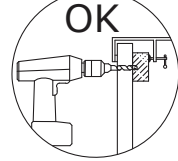
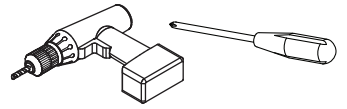
3



A



4



4x

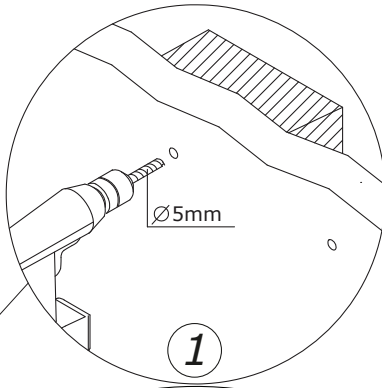


V137

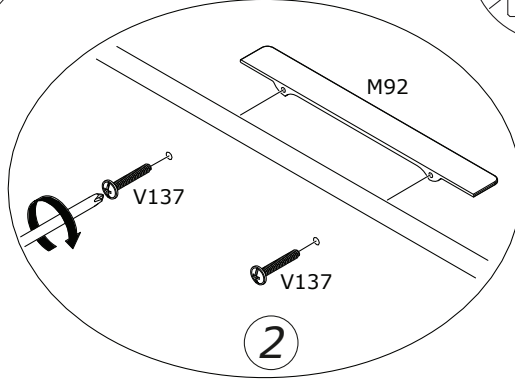
4x



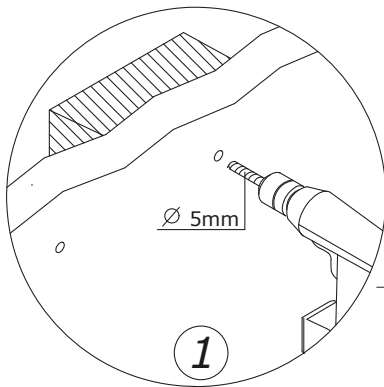
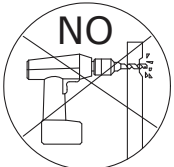
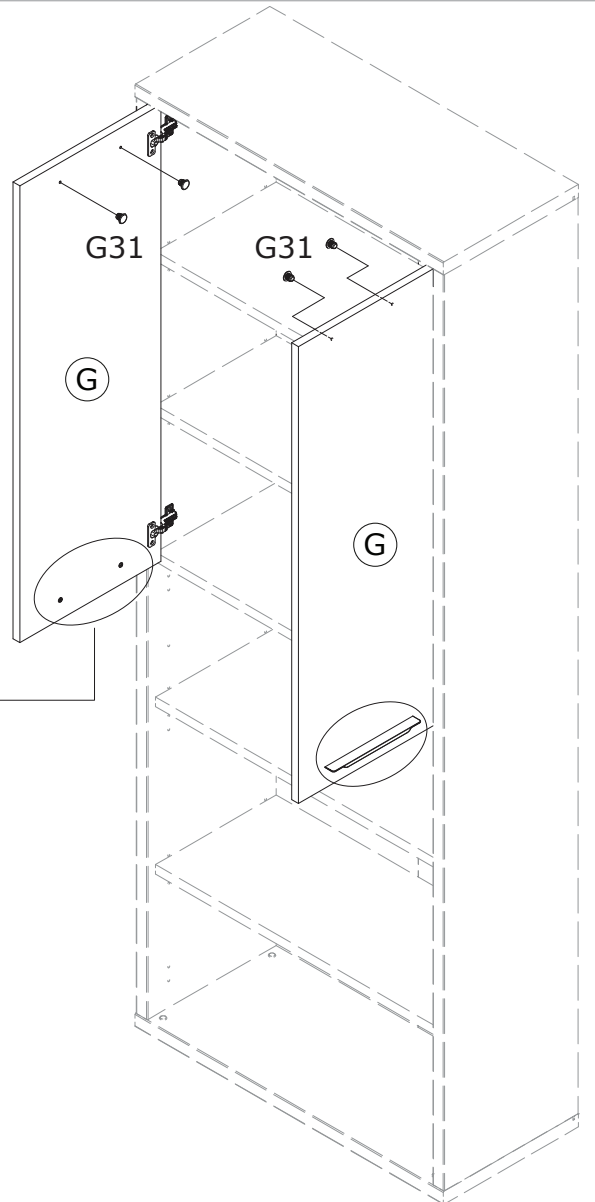
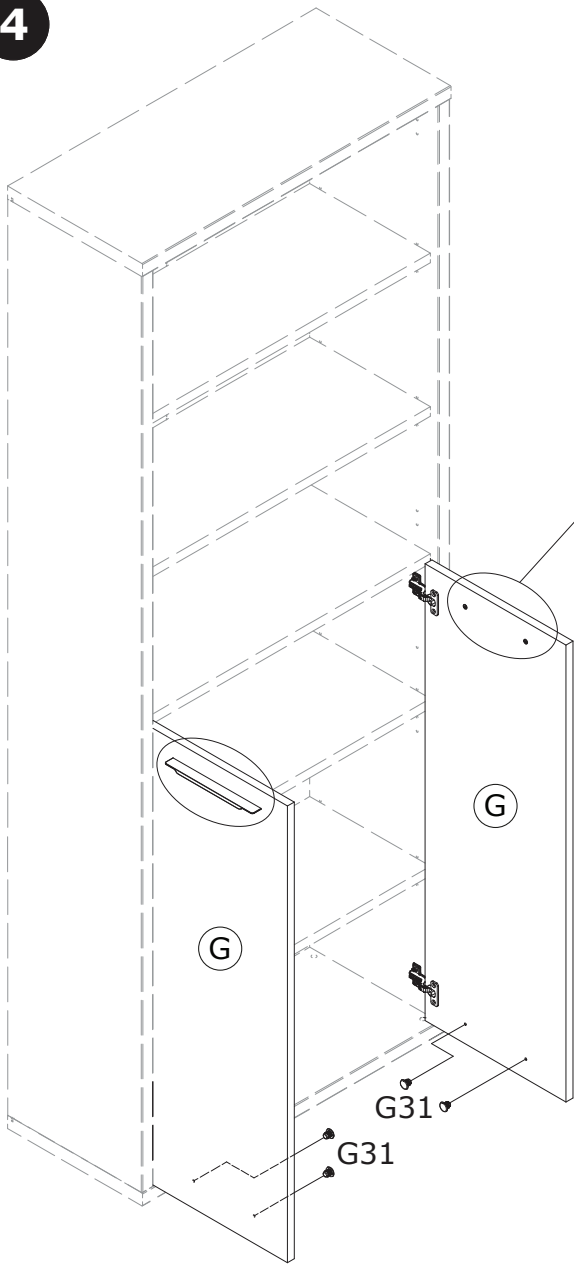
G31



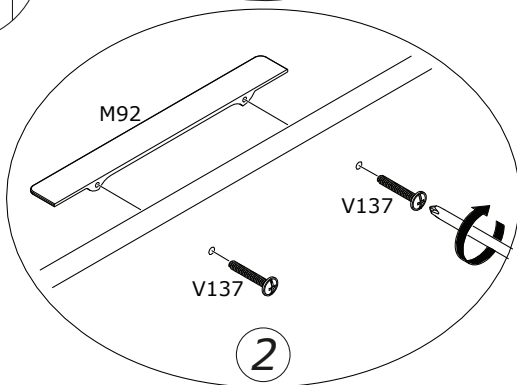
1



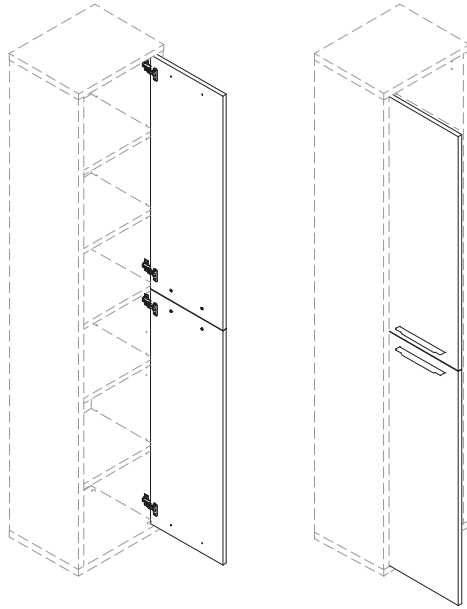
2



1

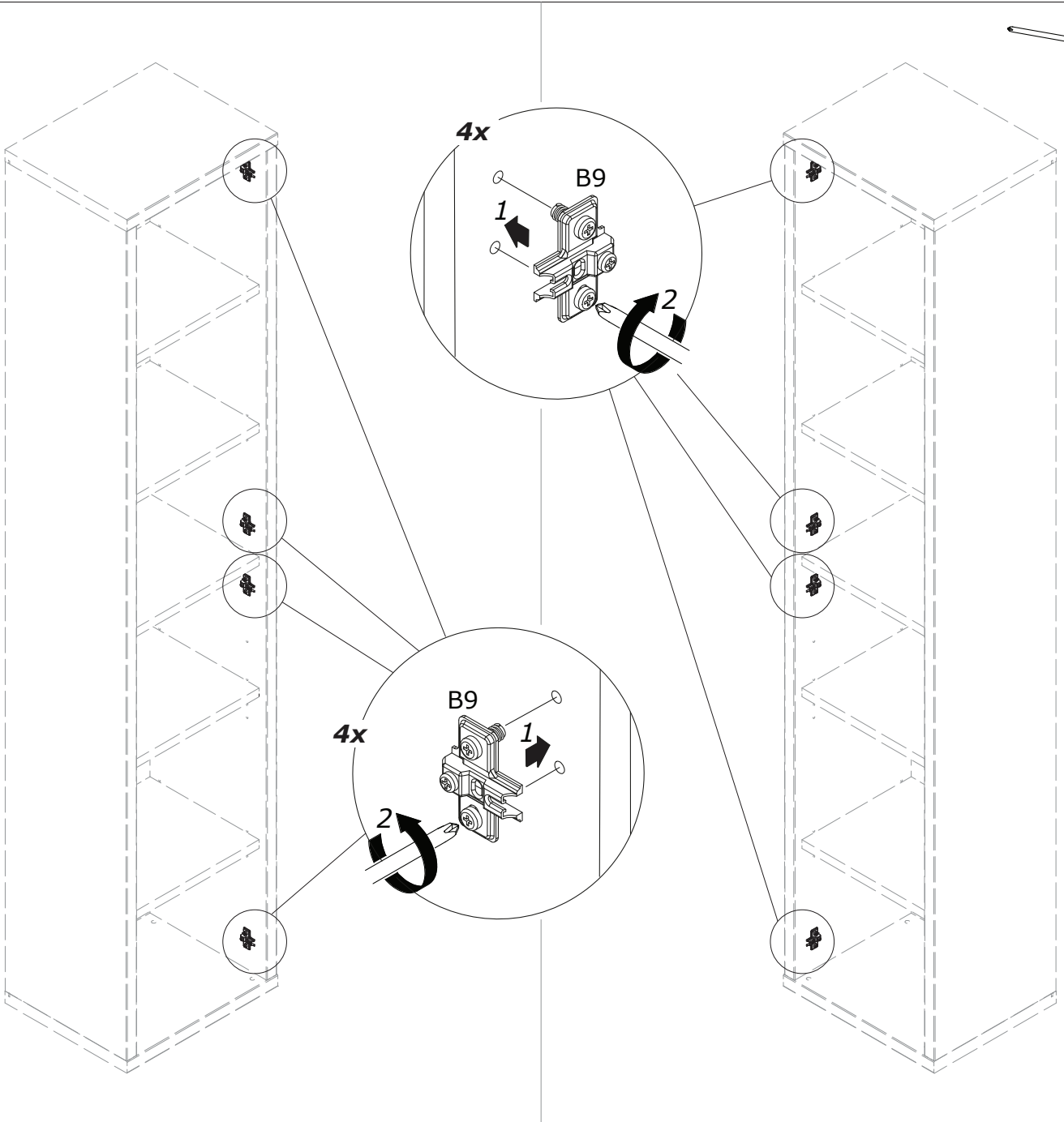


2



B

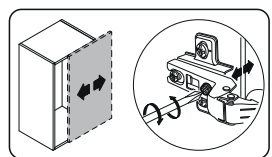
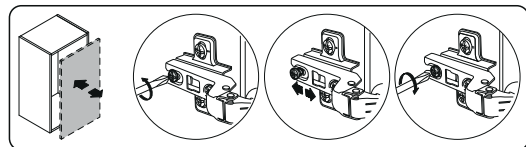
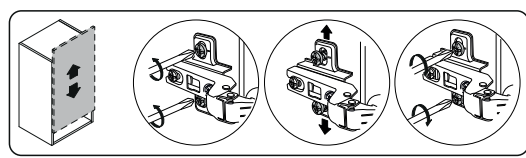
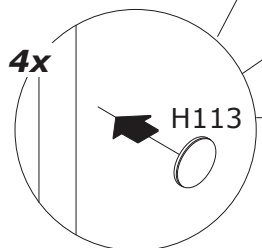
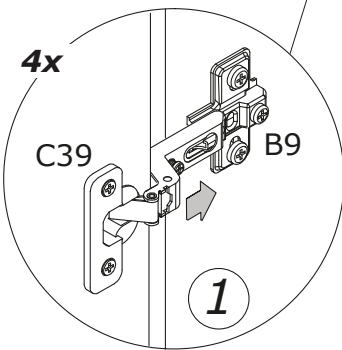
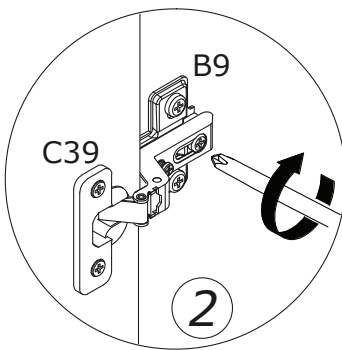
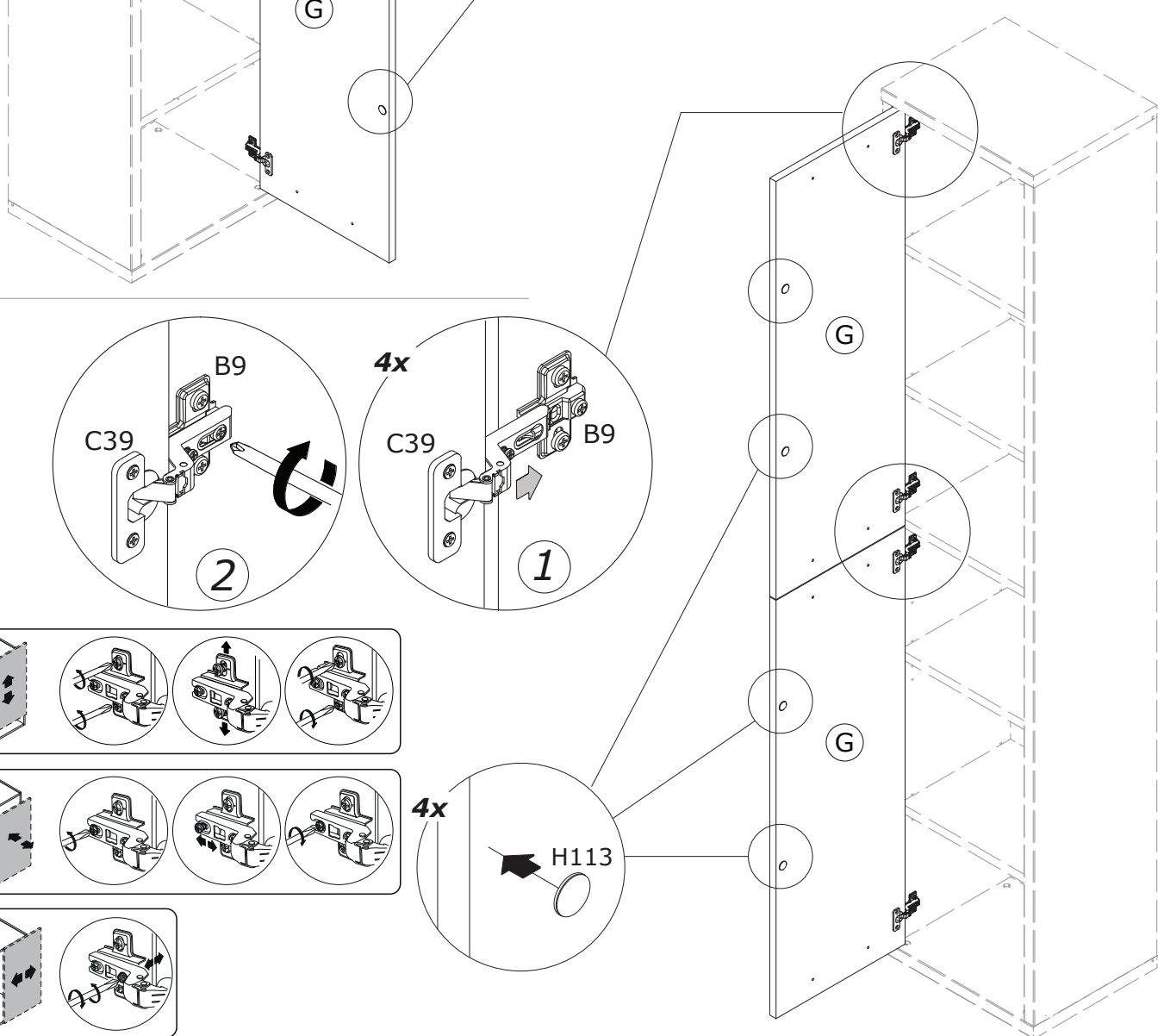
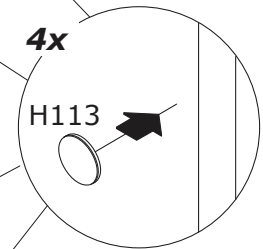
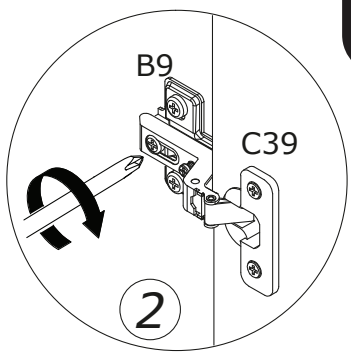
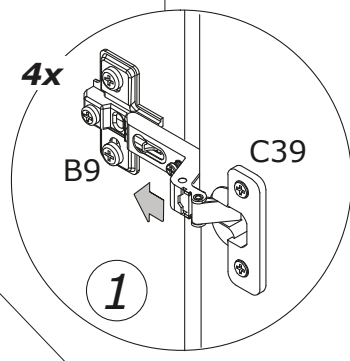
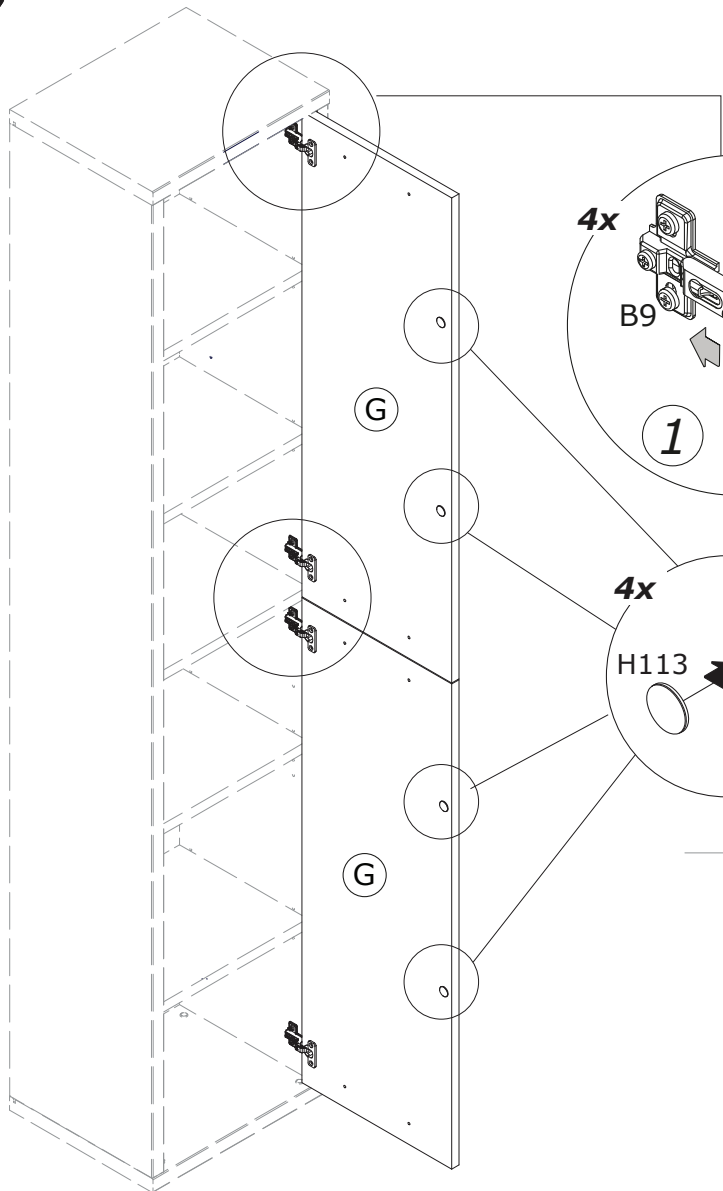
2



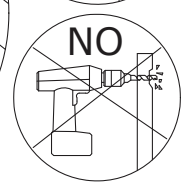
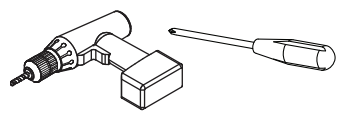
3



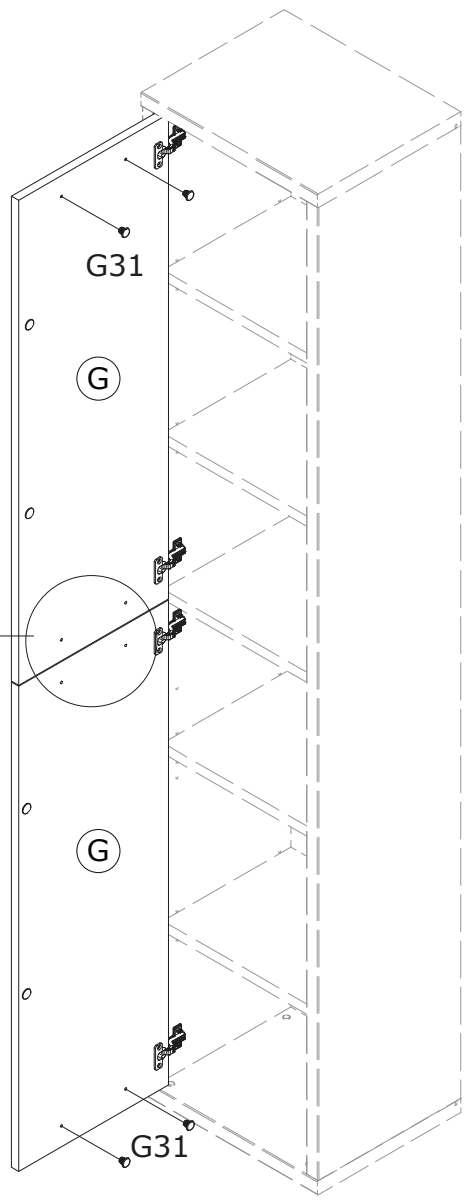
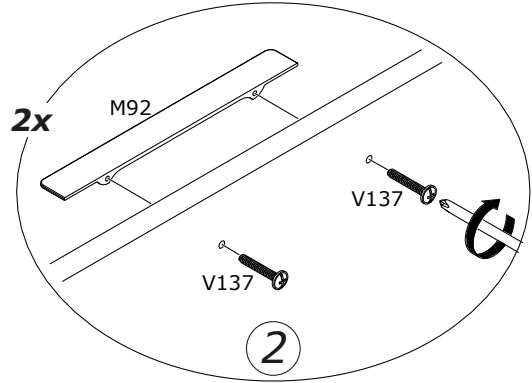
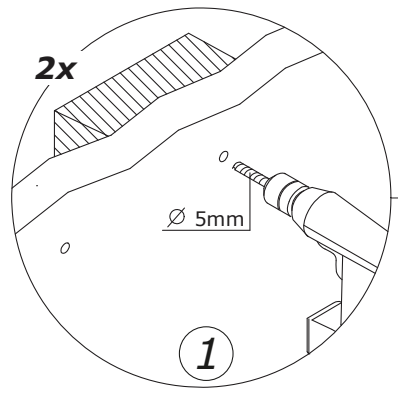
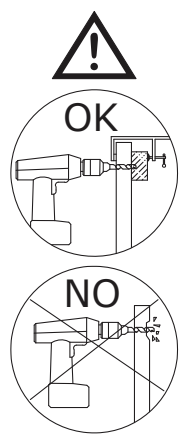
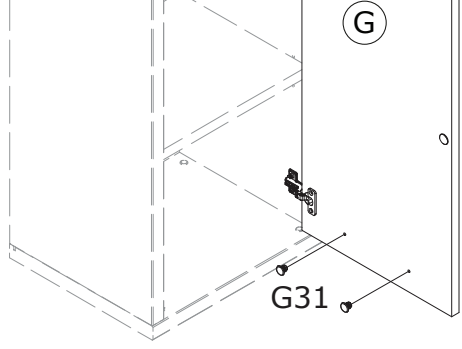
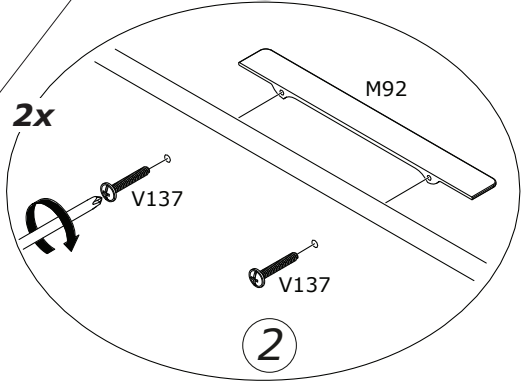
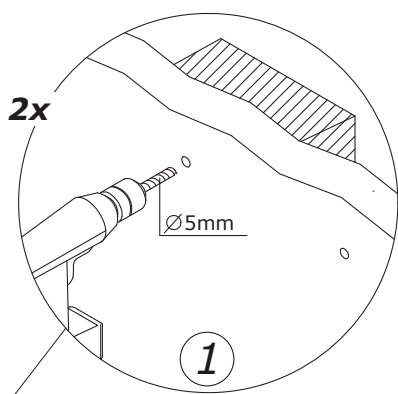
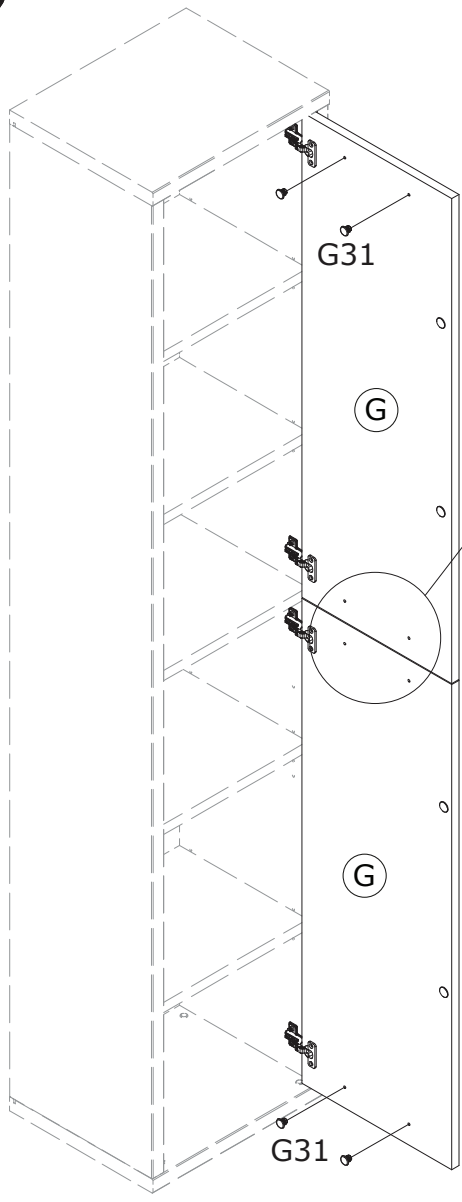
B

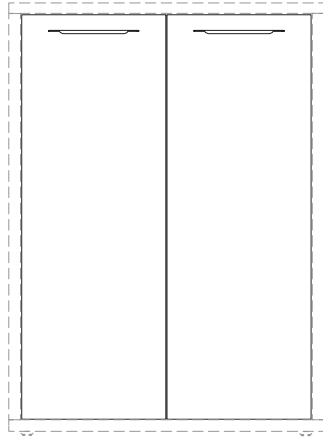


4



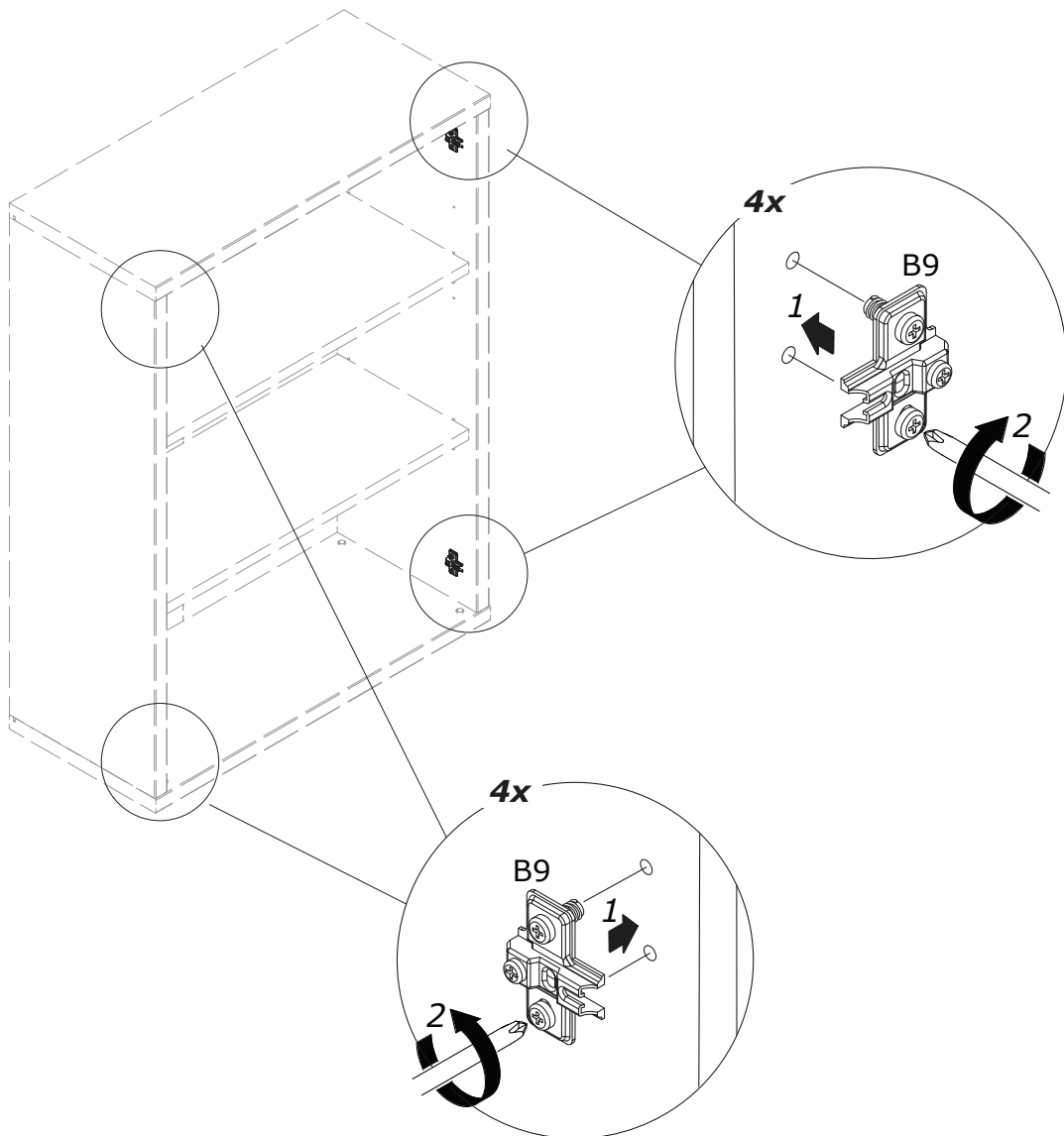
B





C

2



3

