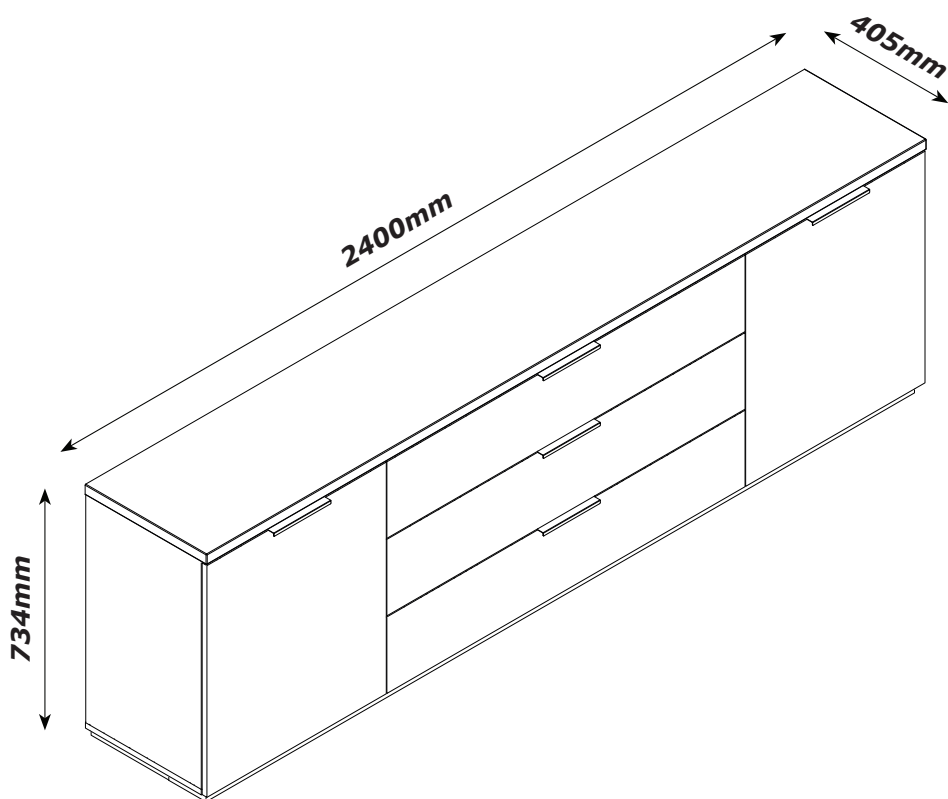


BS0418K77404



MIX
Wood | Supporting
responsible forestry
FSC® C011298



FR
Pensez à
donner ou recycler.



Association

ou



Magasin

ou



Déchèterie

<https://quefairedemesdechets.fr>

QF6082



The Eco-Ethical Company

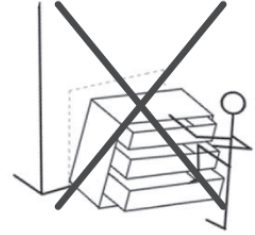
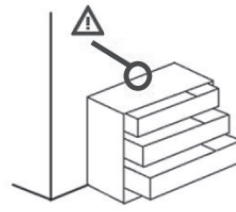
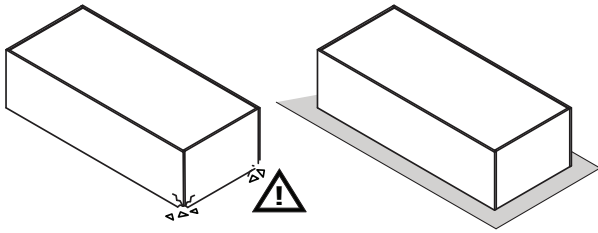
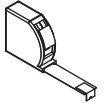
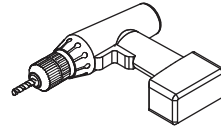
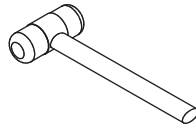
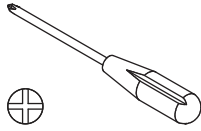


MADE IN ITALY

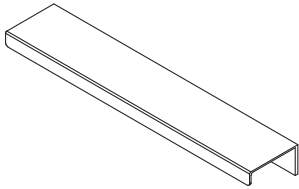
Produced by COMPOSAD srl, Via Lombardia 29, 46019 Viadana (MN) ITALY



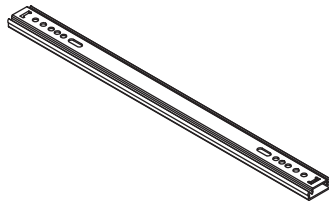
2h



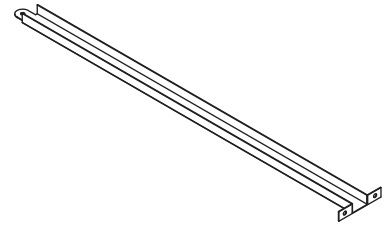
BU5212



M94
x5

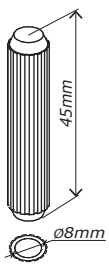


A64
x6

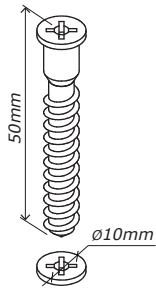


W405
x6

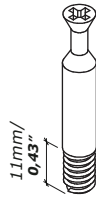
BU5195



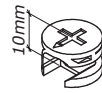
H325
x16



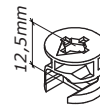
V45
x8



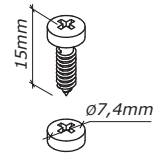
T28
x14



T98
x6



T7
x8



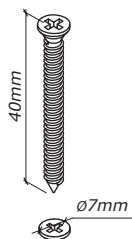
V81
x4



R40
x8



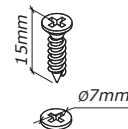
H113
x10



V6
x11



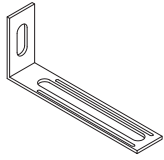
H2
x12



V5
x34



H15
x8



H337
x2



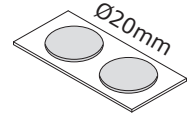
H129
x4



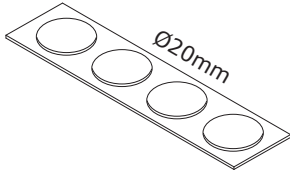
H54
x22



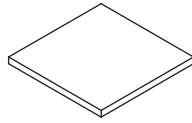
G163
x4



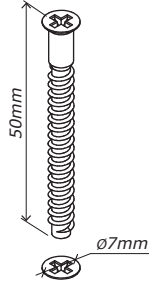
G161
x6



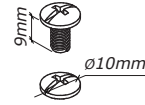
G150
x4



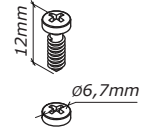
H233
x8



V130
x12

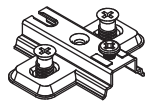


V38
x6

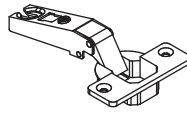


V98
x18

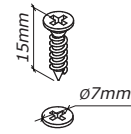
BU2782



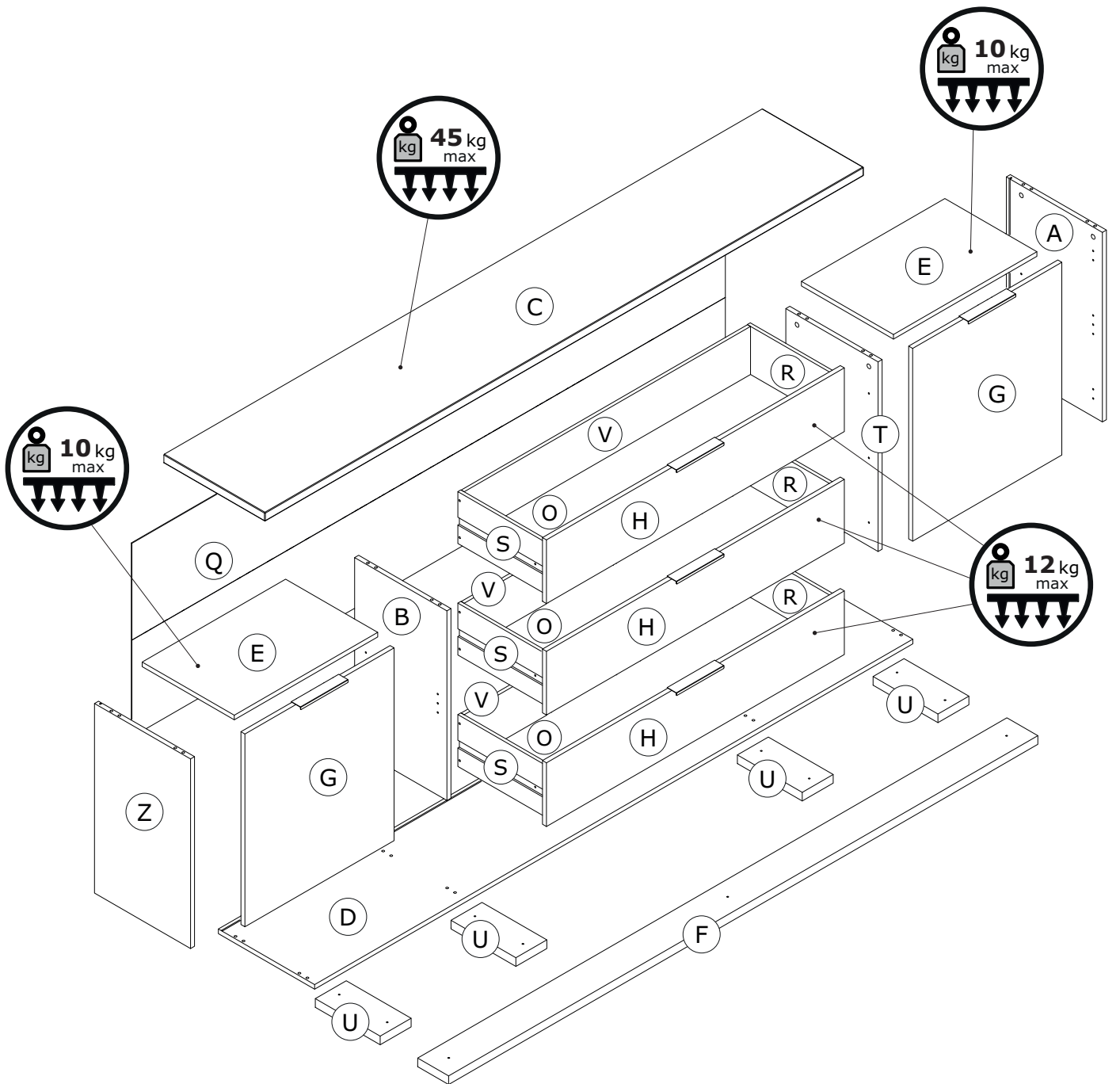
B30
x4

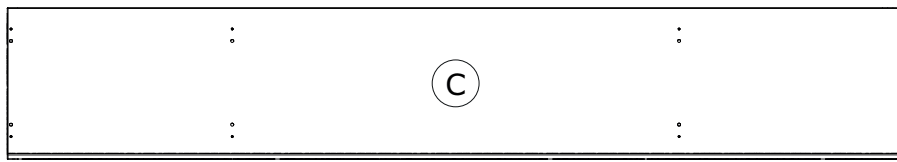


C66
x4

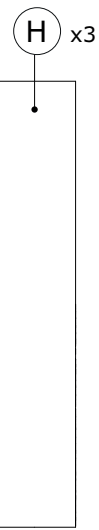


V5
x8



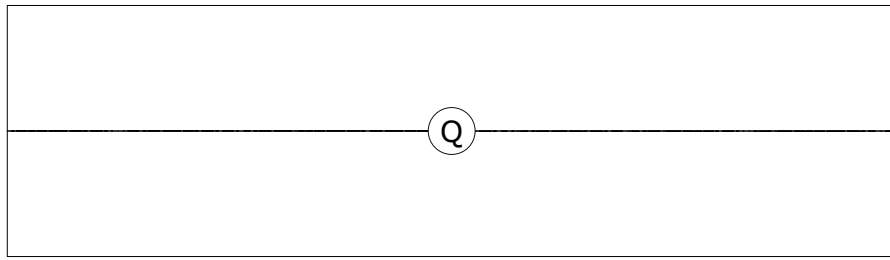


CA4014
2400x405x30mm

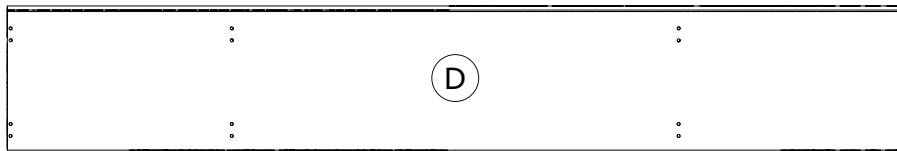


CS5046
1194x221x16mm

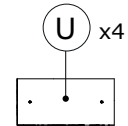
BOX 1/3



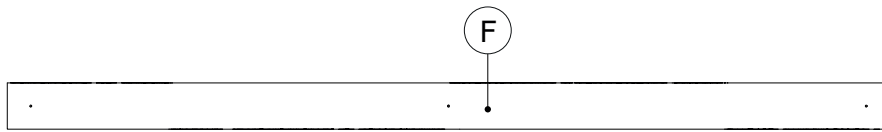
SH3911
2379x672x2,3mm



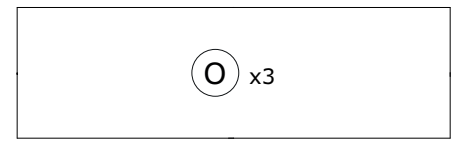
BA2461
2398x386x16mm



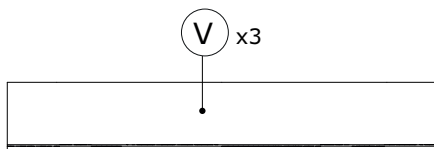
ZO1730
260x124x30mm



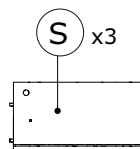
ZO1728
2362x124x30mm



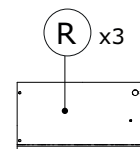
SH3908
1159x350x2mm



OS0448
1148x180x12mm

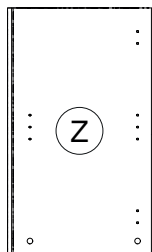


OS0367
350x180x12mm

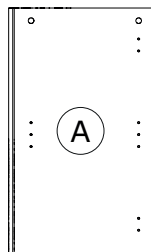


OS0366
350x180x12mm

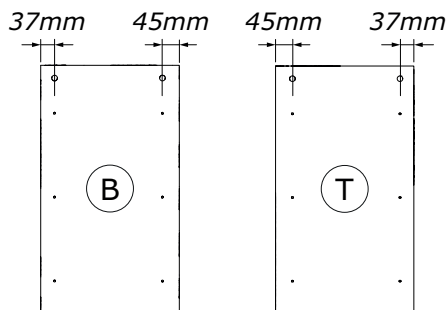
BOX 2/3



FI9557
658x385x16mm

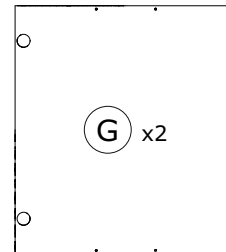


FI9559
658x385x16mm

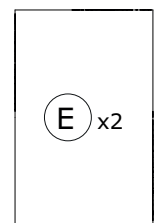


TR2568
658x370x16mm

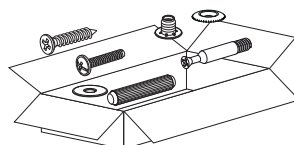
TR2569
658x370x16mm



AN3346
669x598x16mm

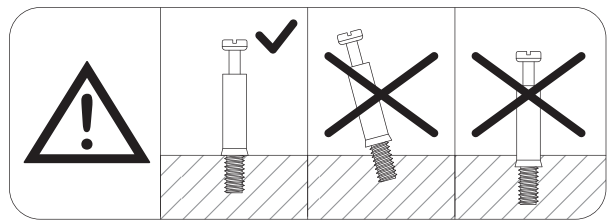
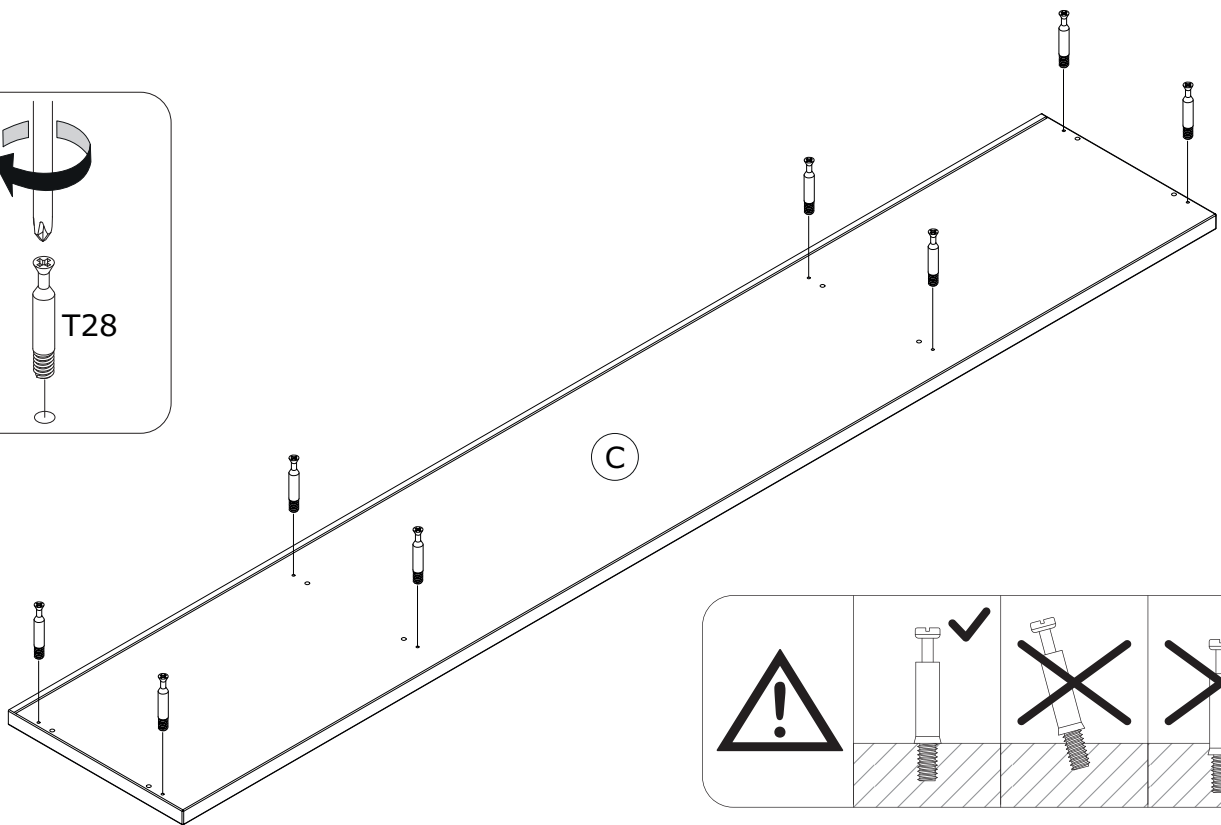
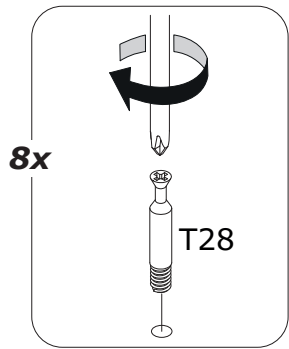


PI7697
575x369x16mm

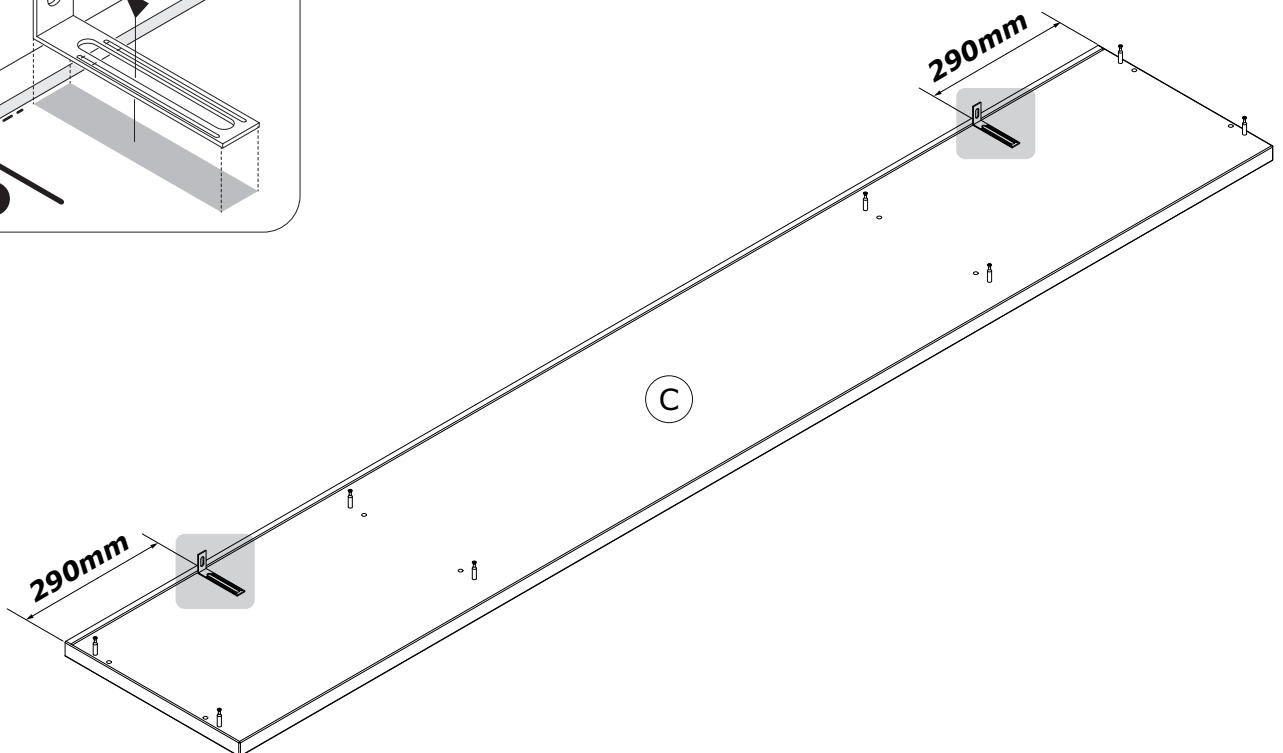
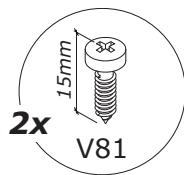
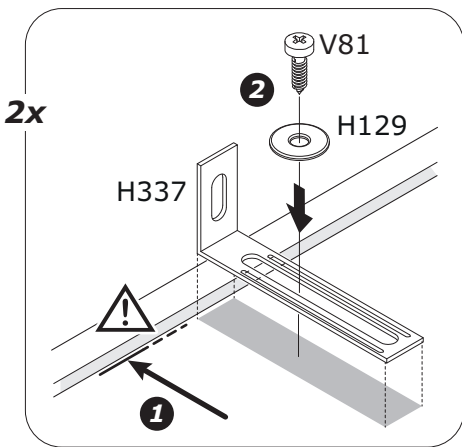


BOX 3/3

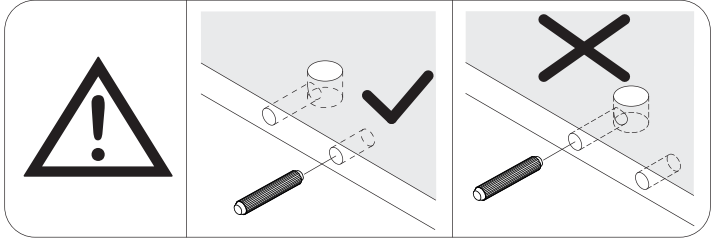
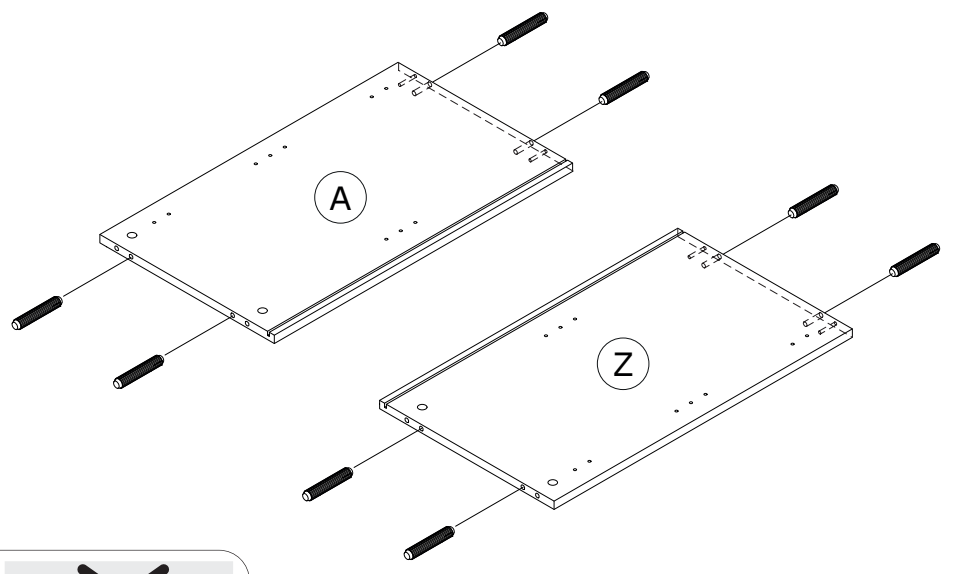
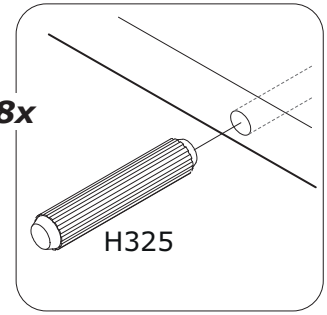
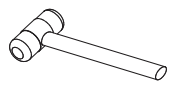
1



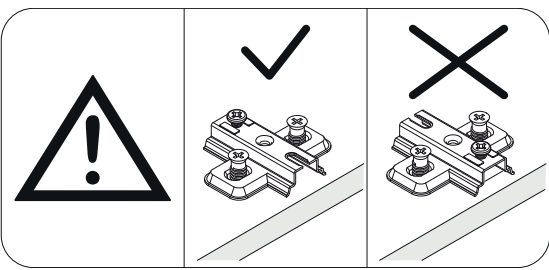
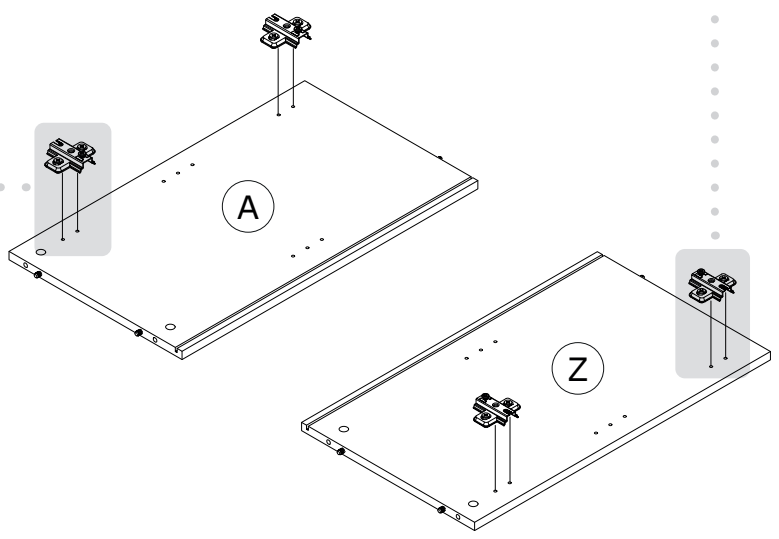
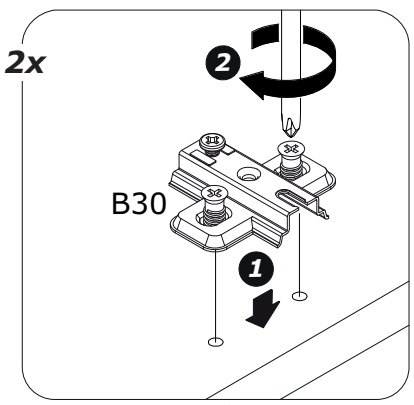
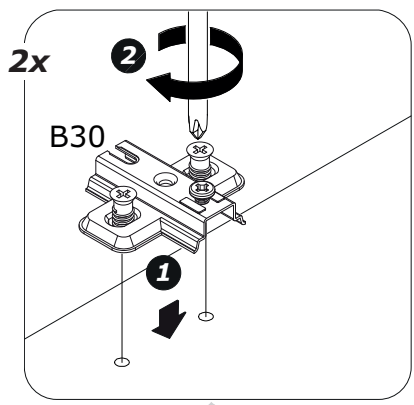
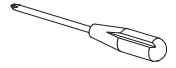
2



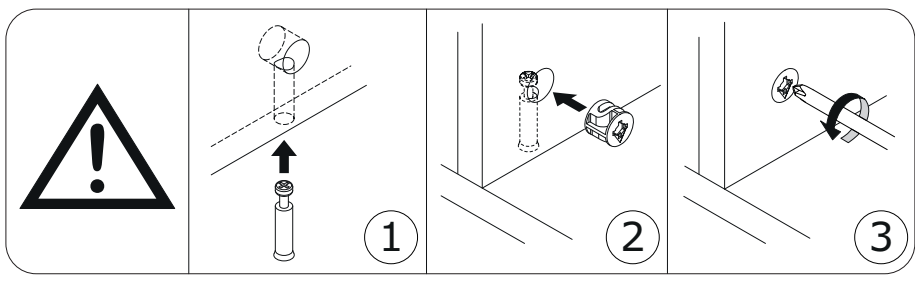
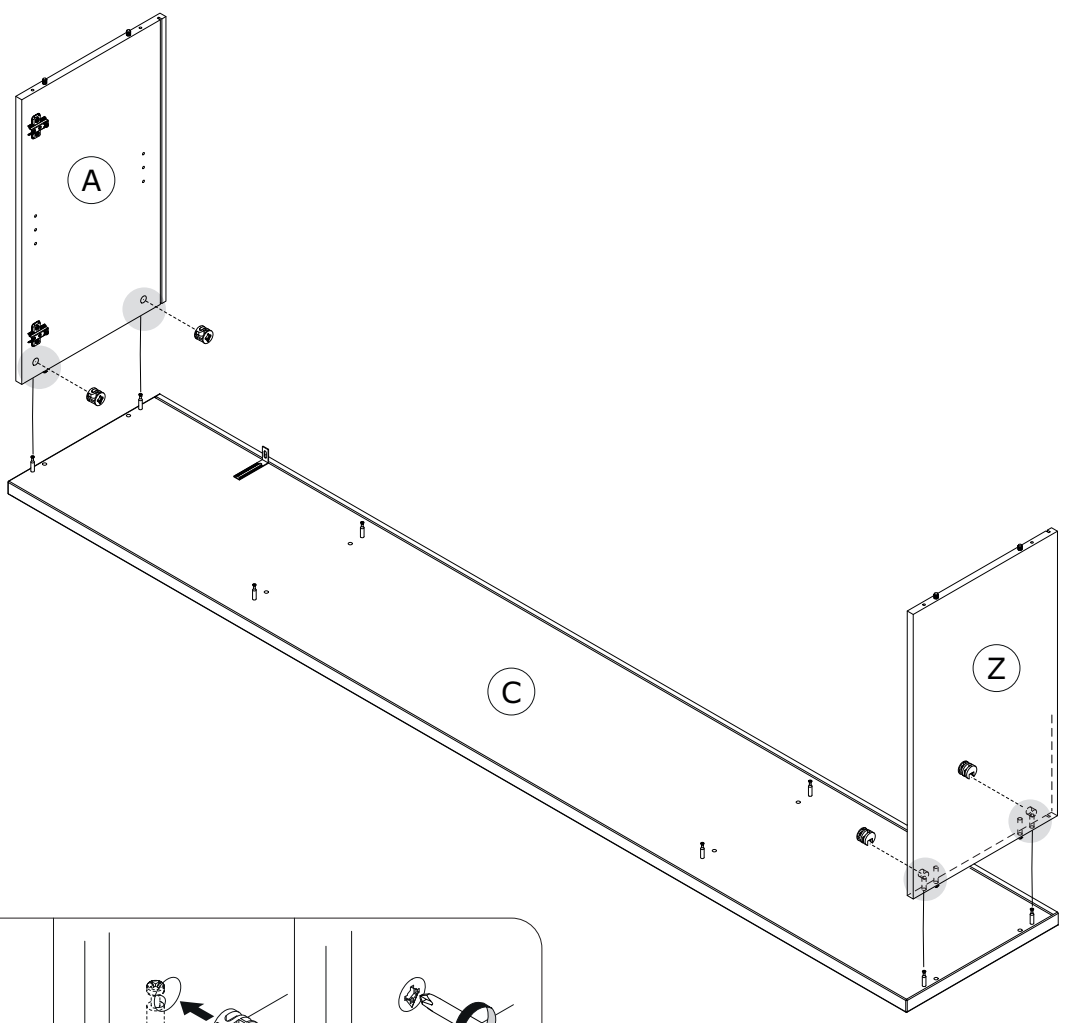
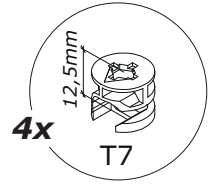
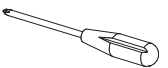
3



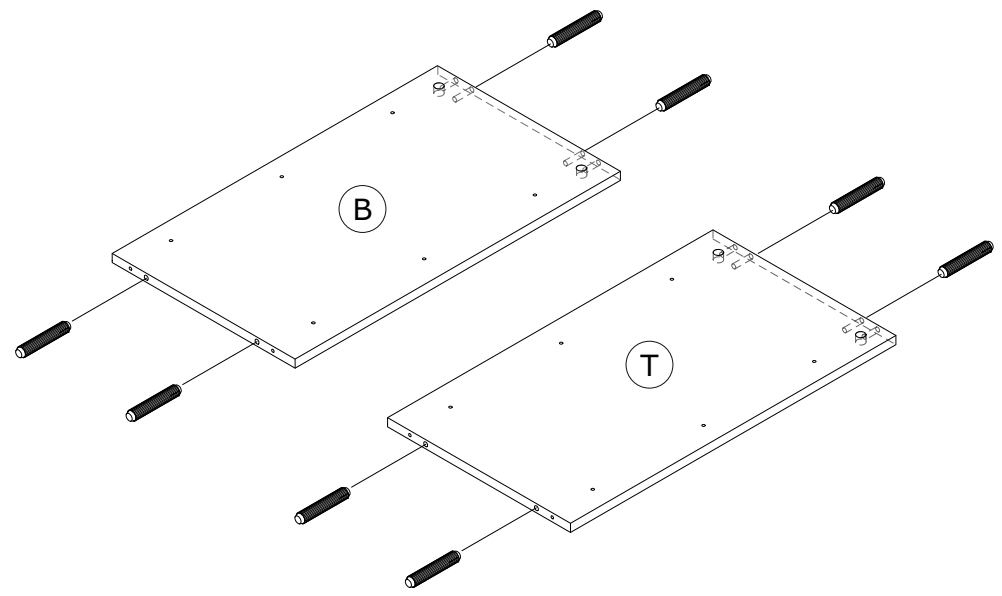
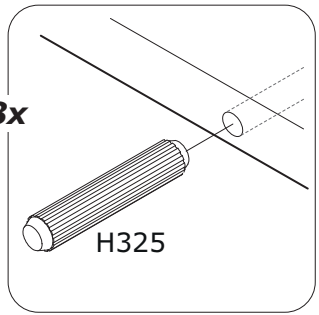
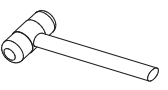
4



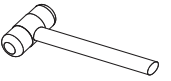
5



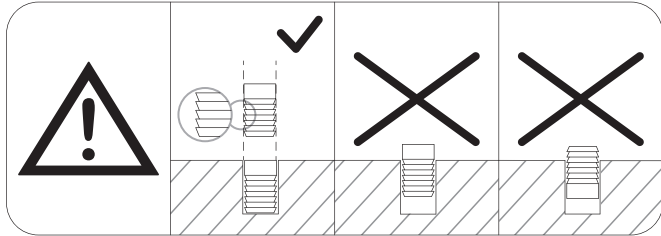
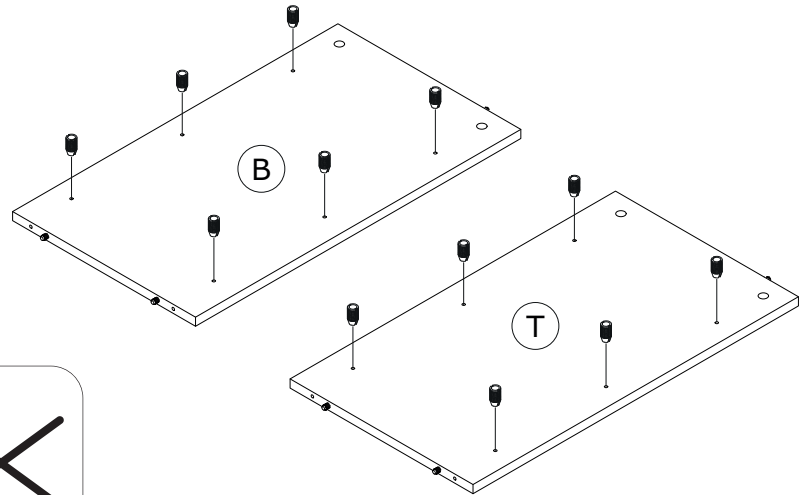
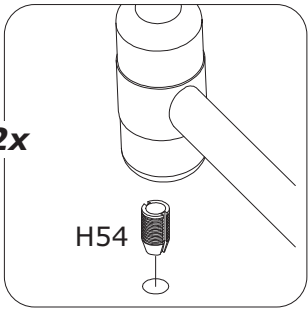
6



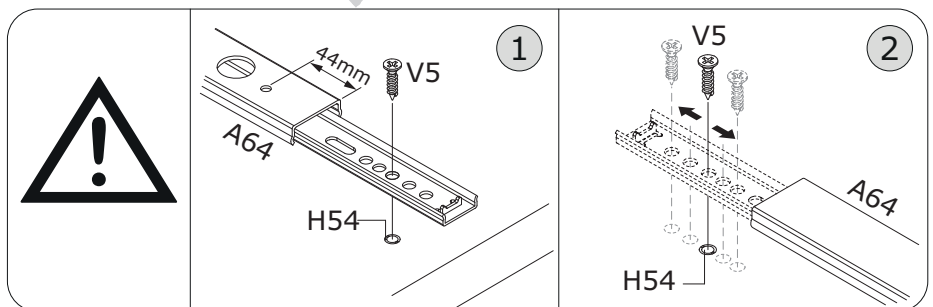
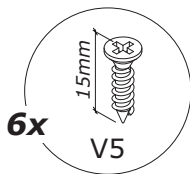
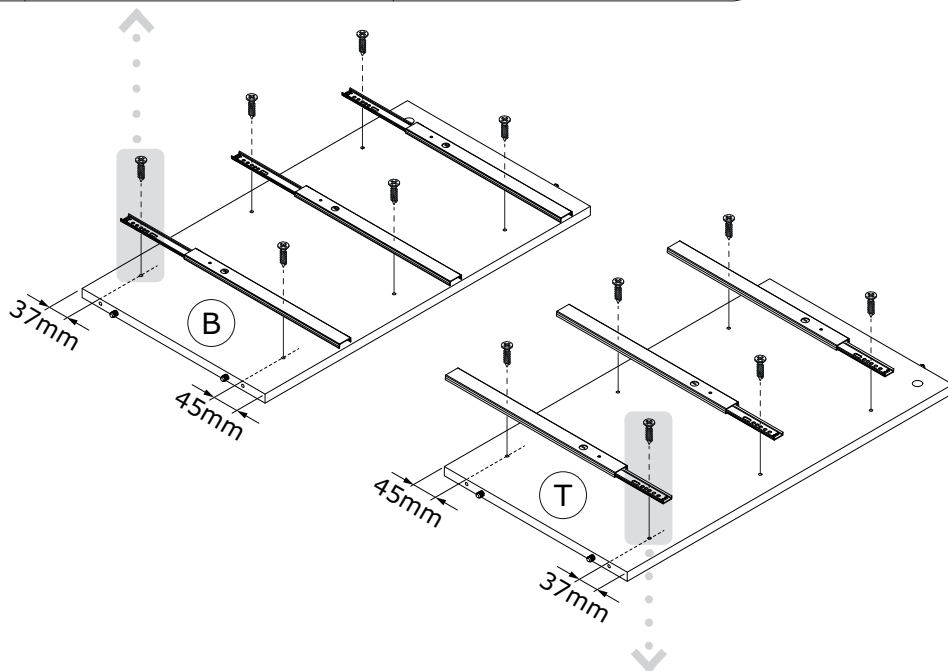
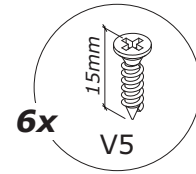
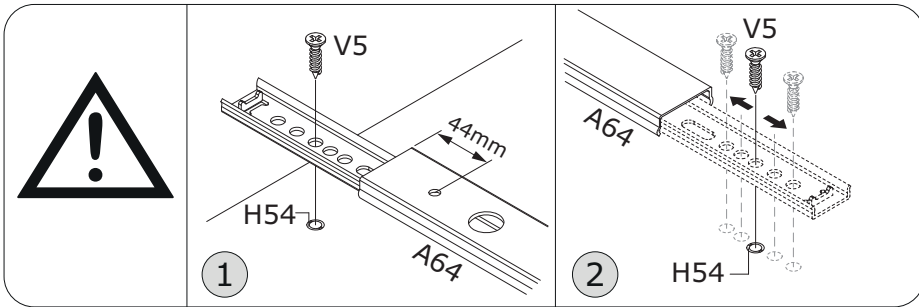
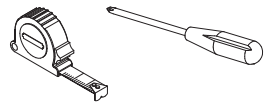
7

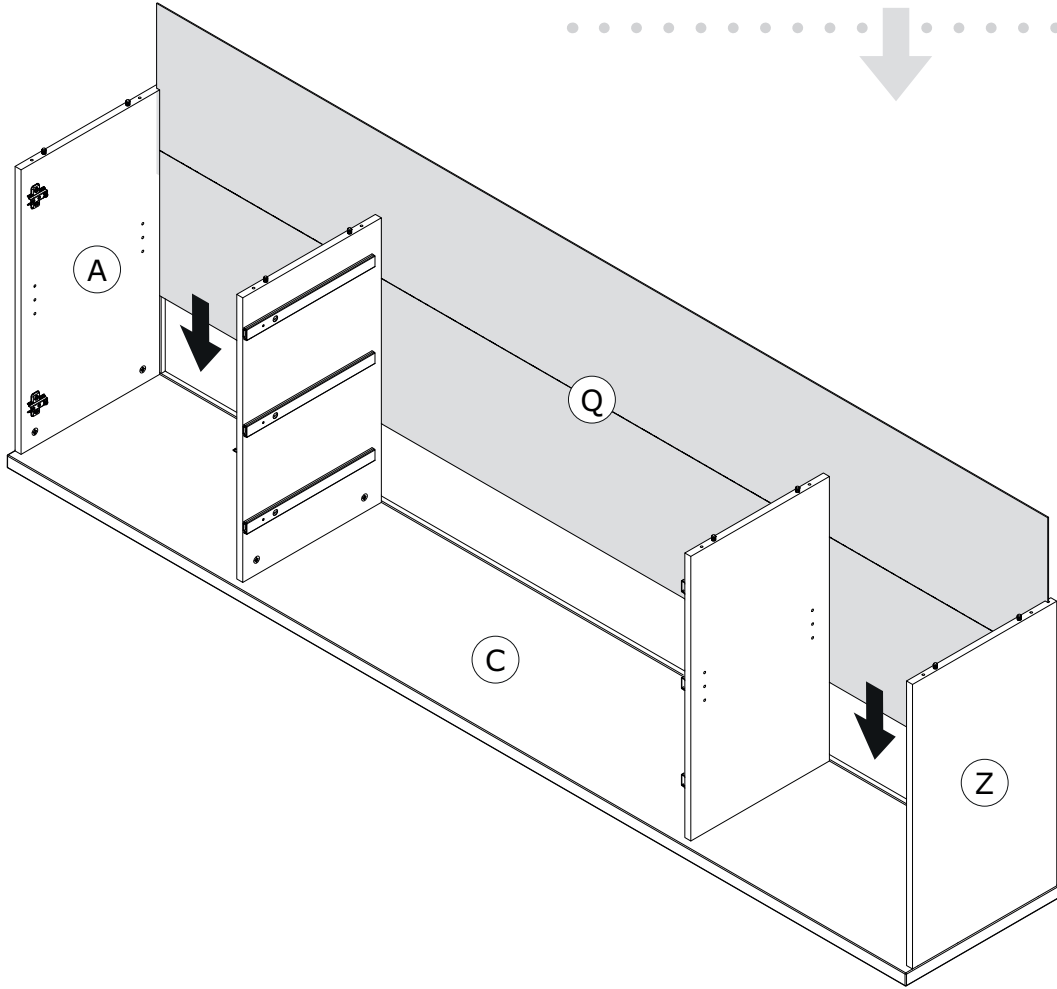
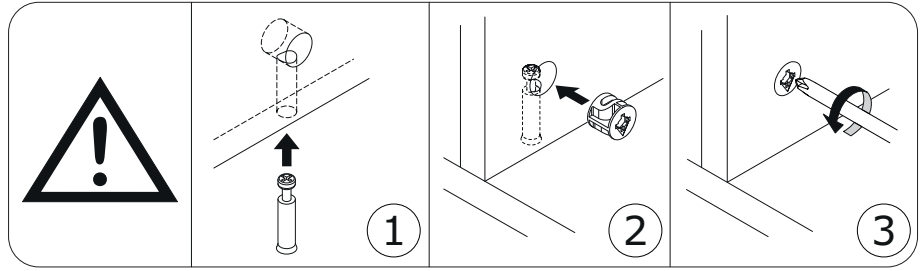
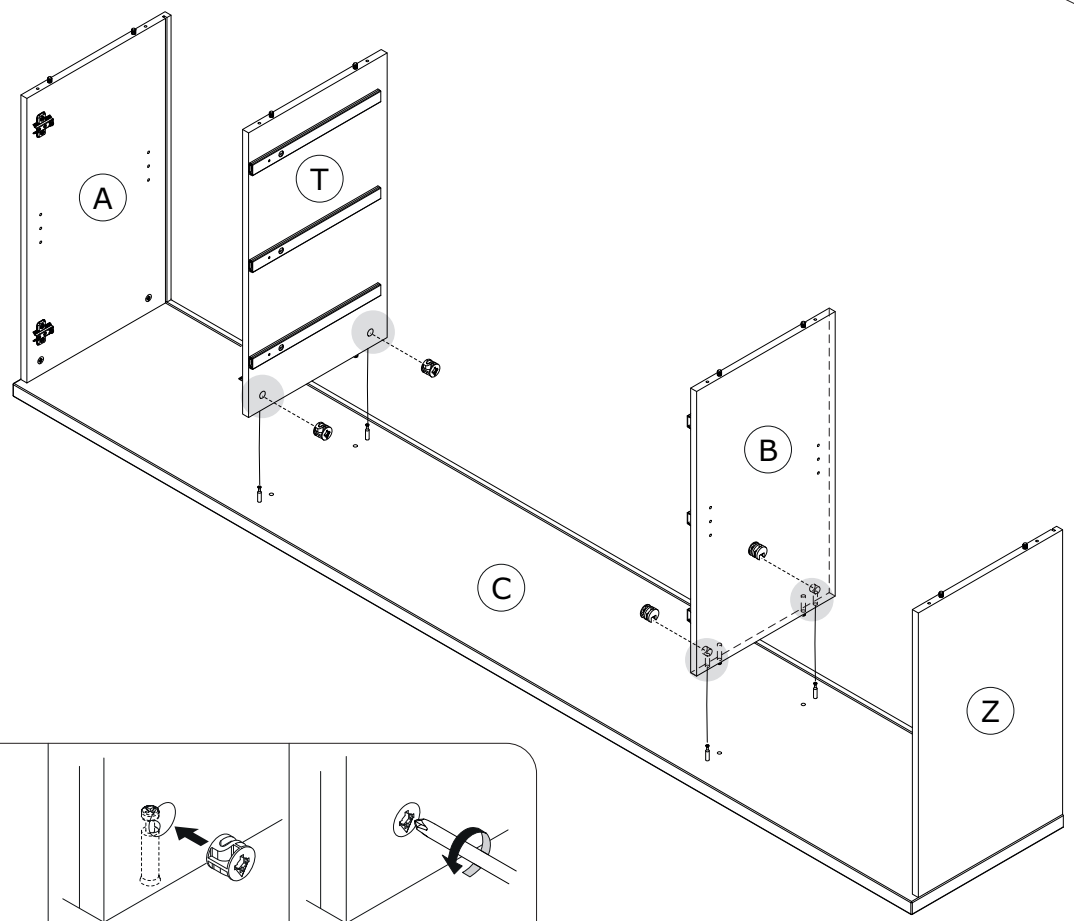
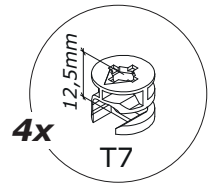
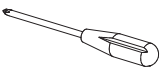


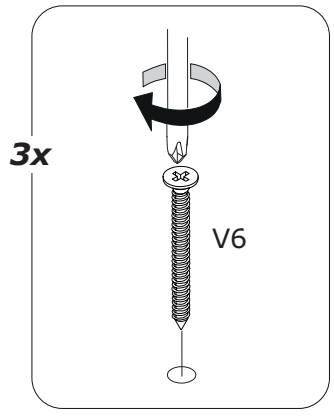
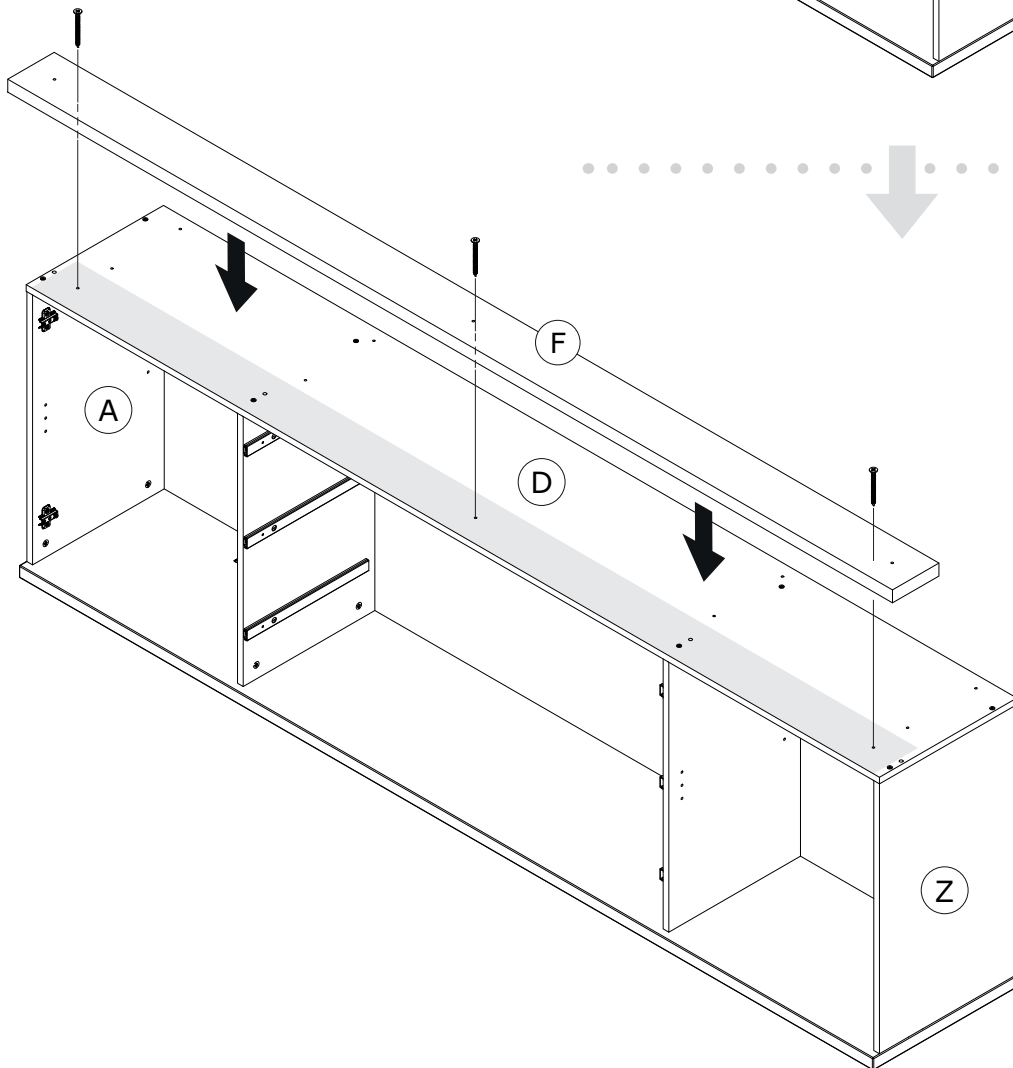
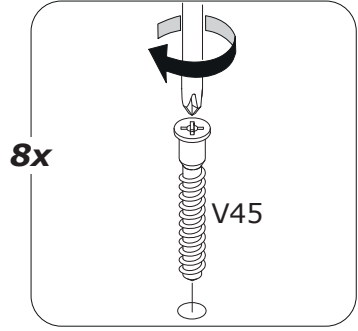
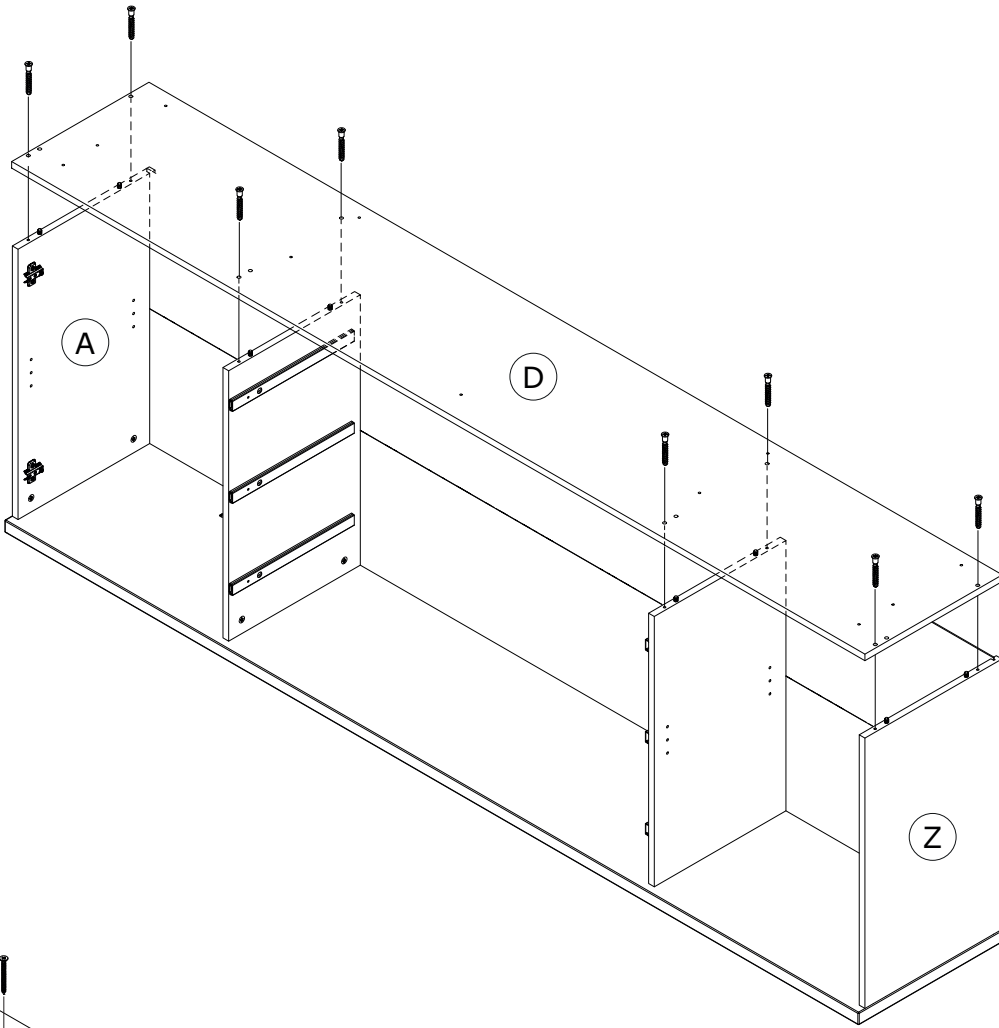
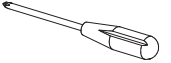
12x



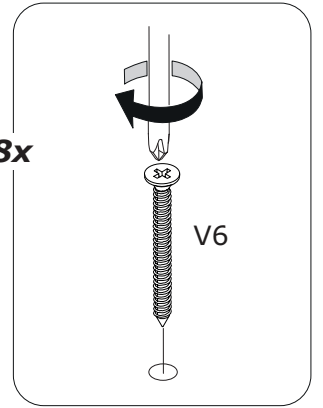
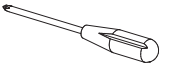
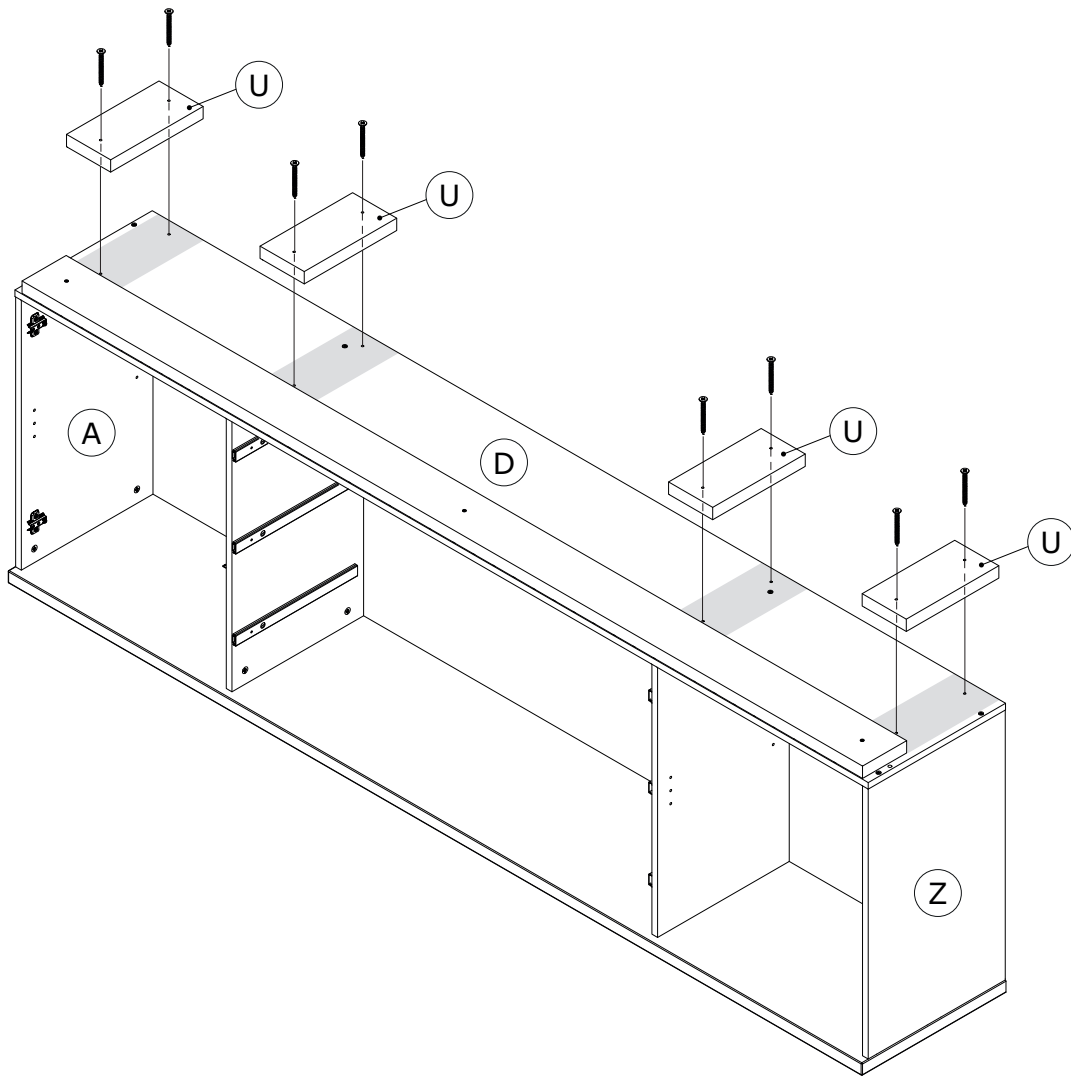
8



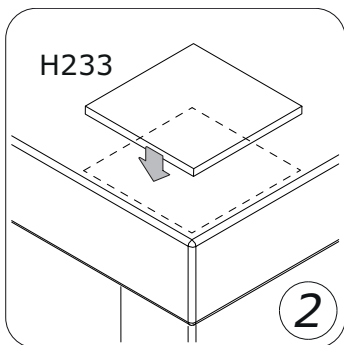
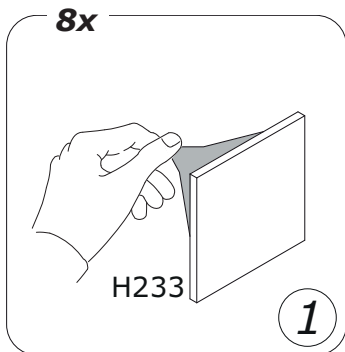
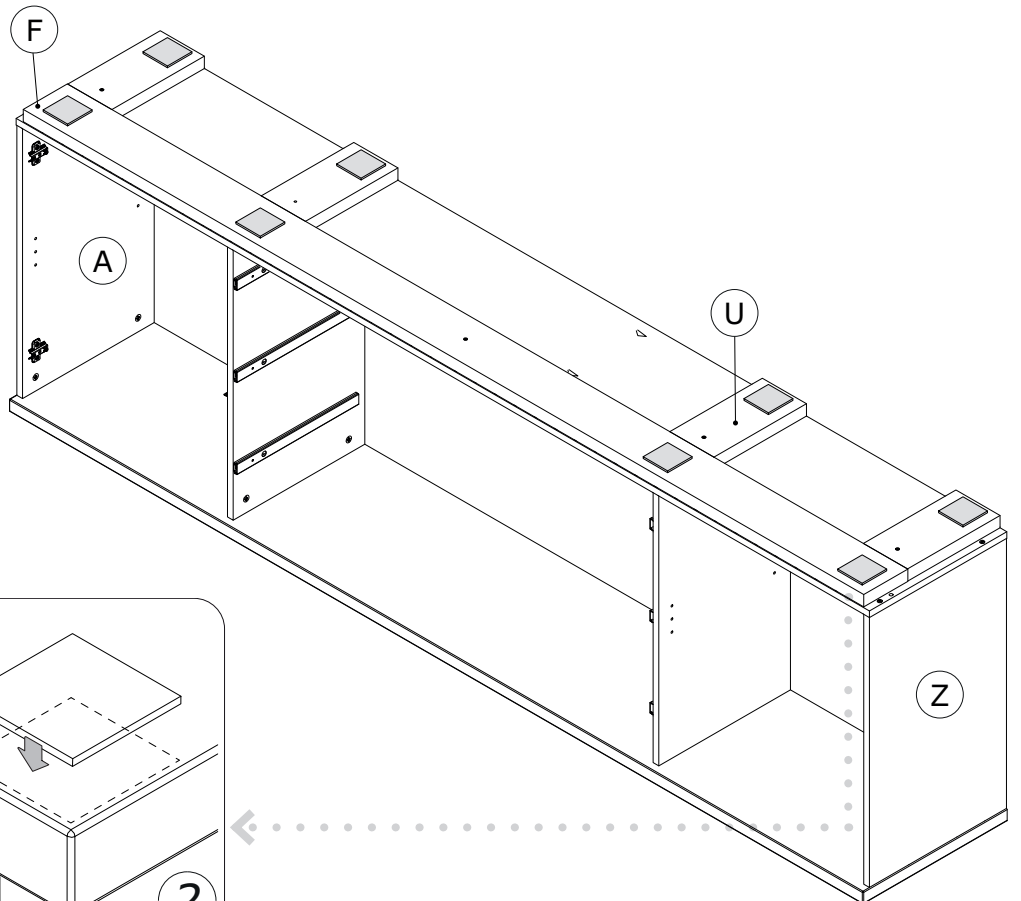




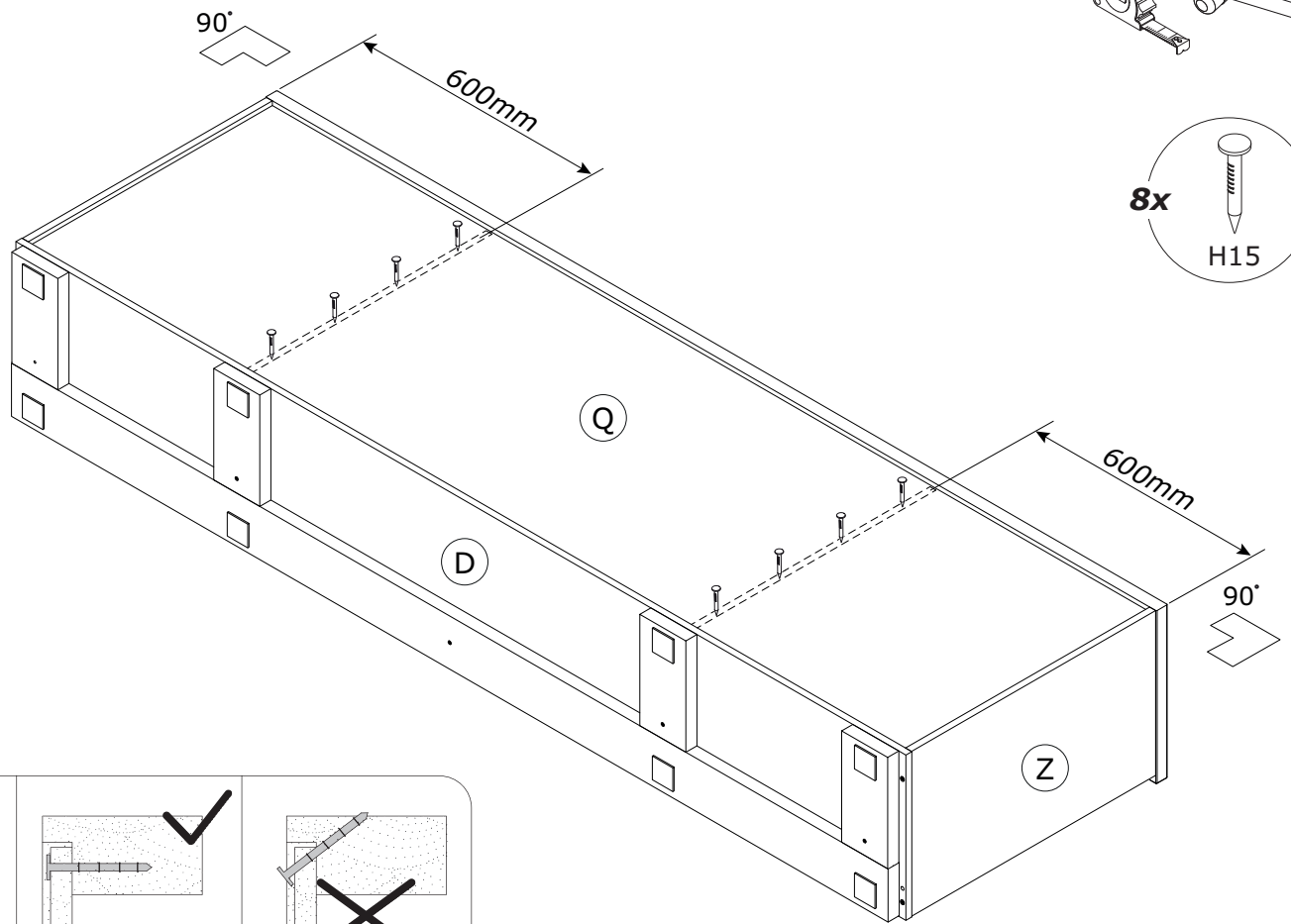
11



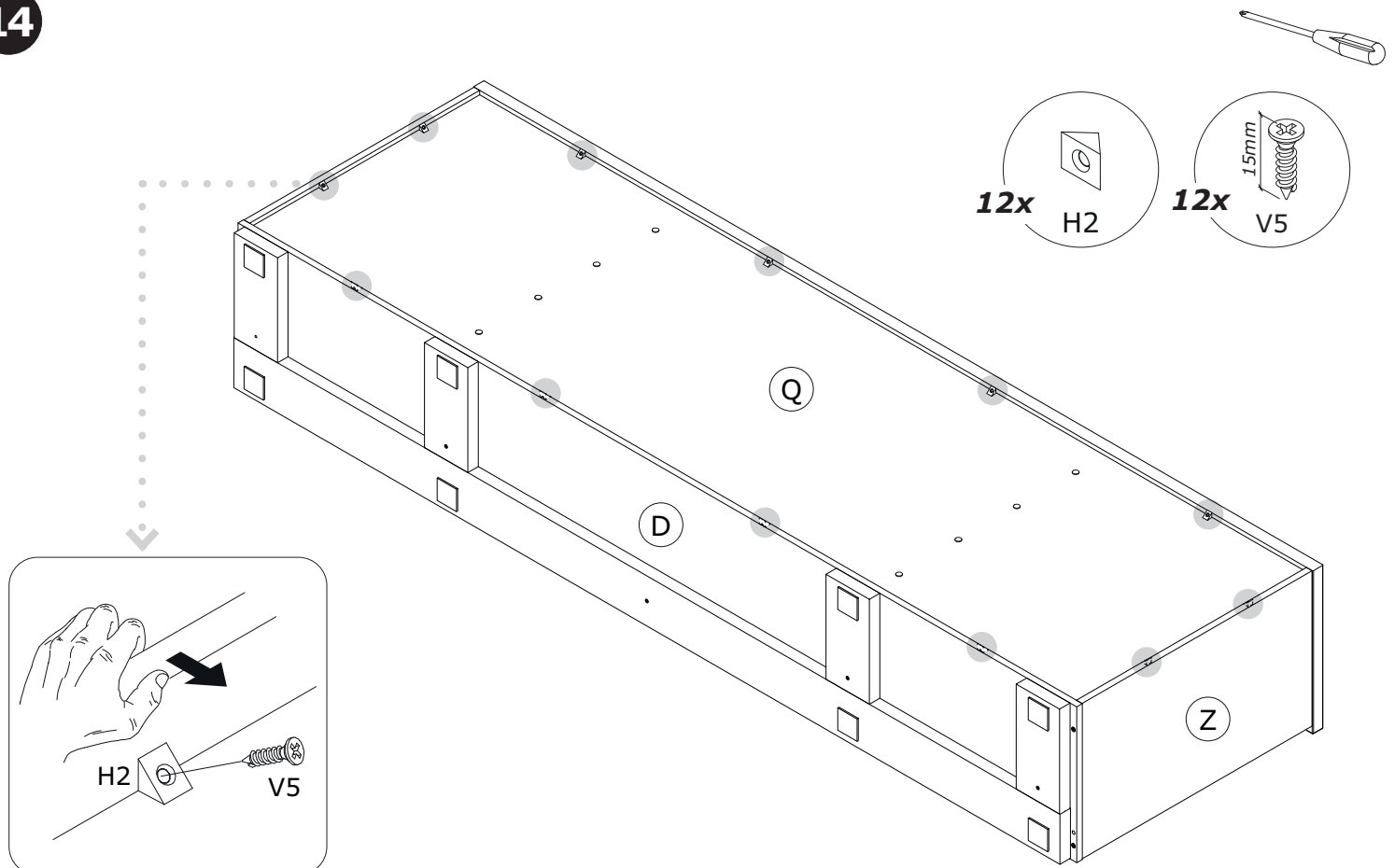
12

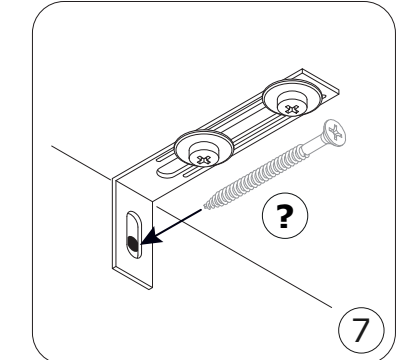
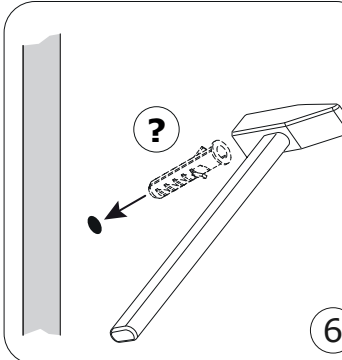
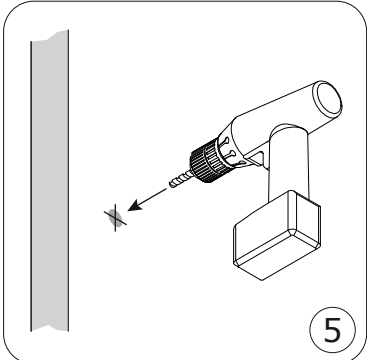
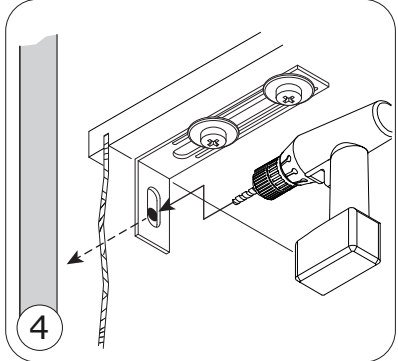
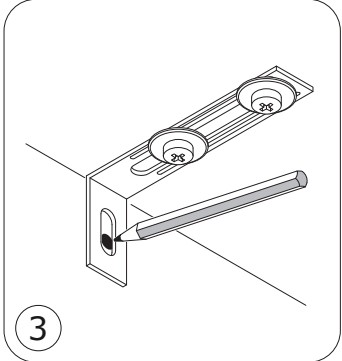
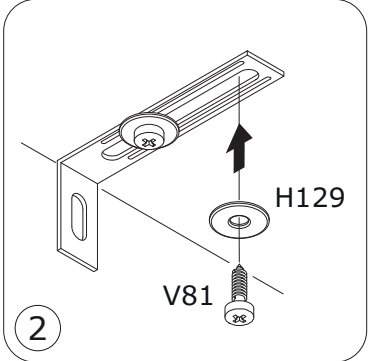
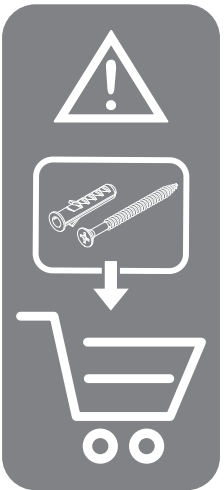
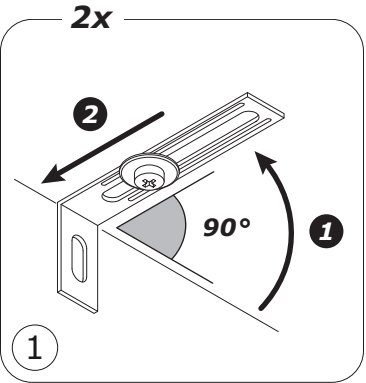
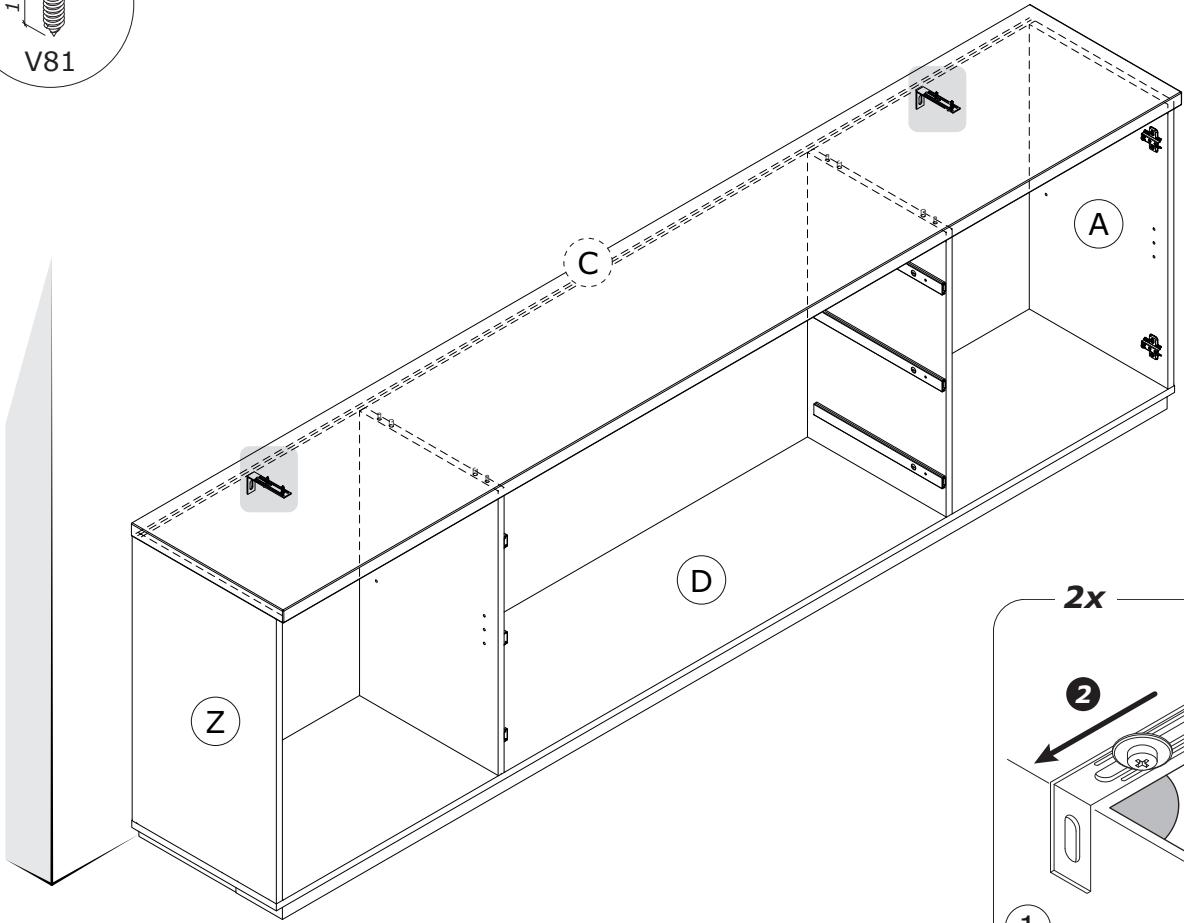
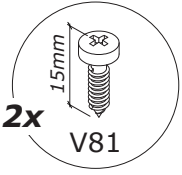


13

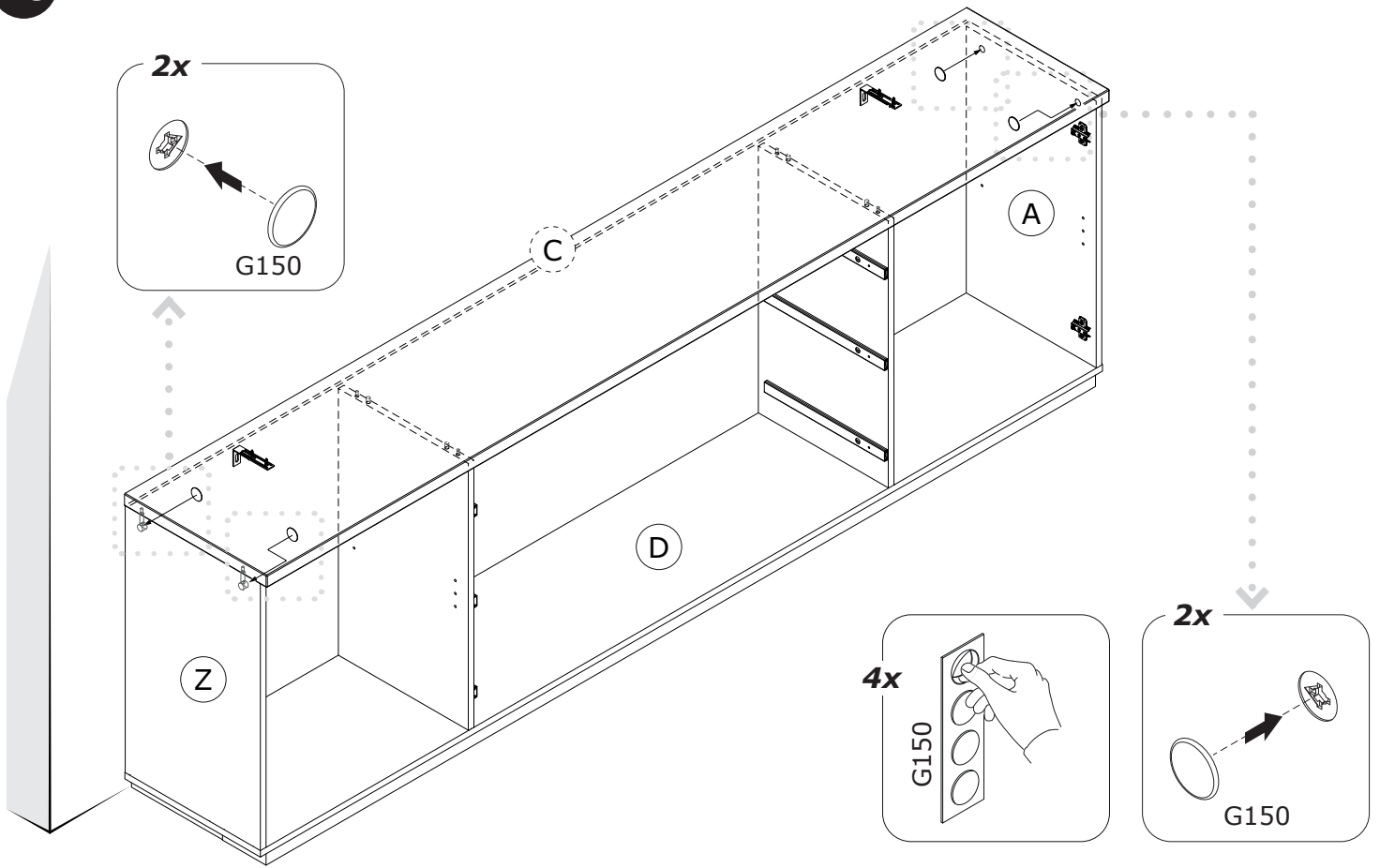


14

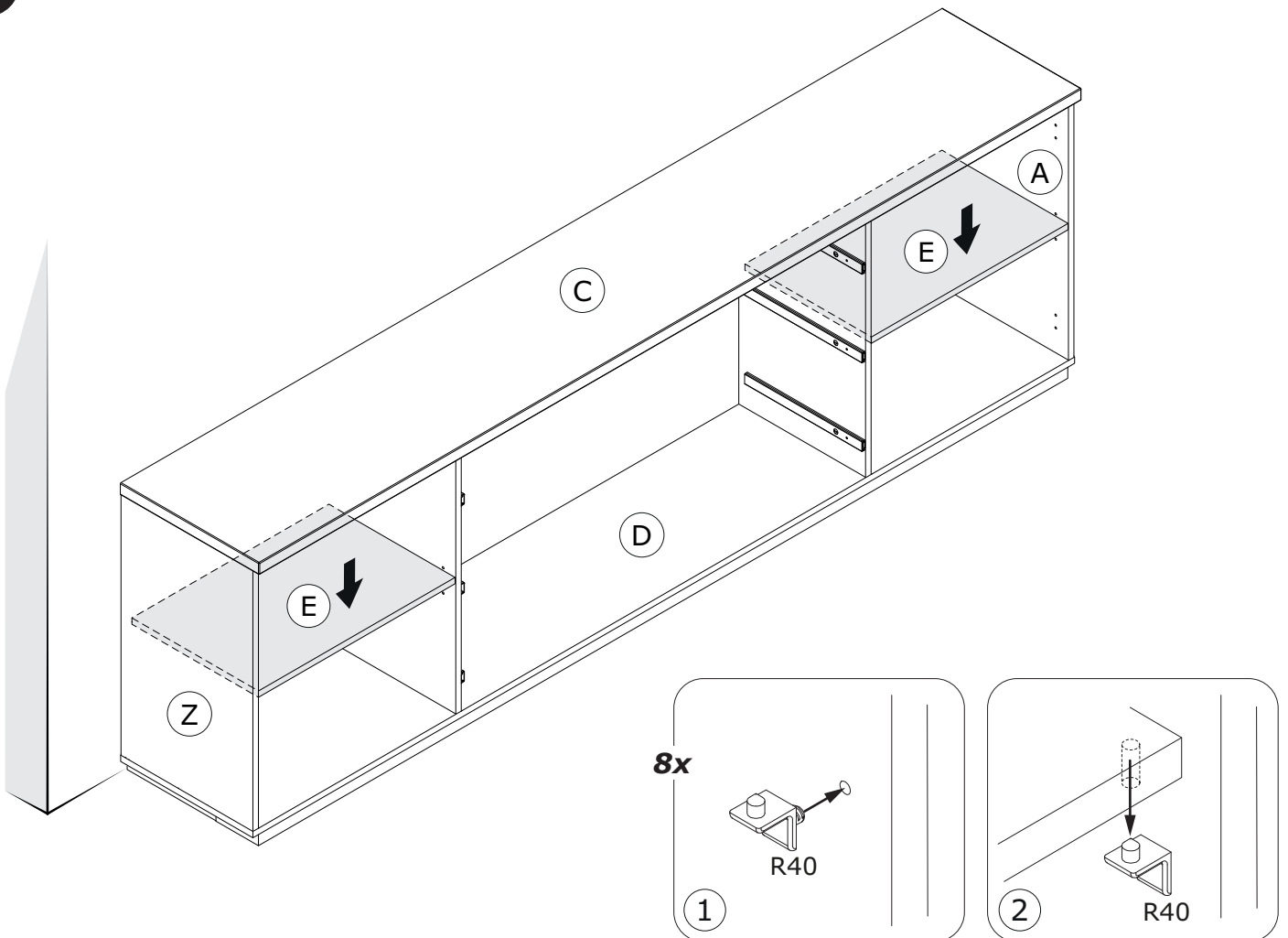




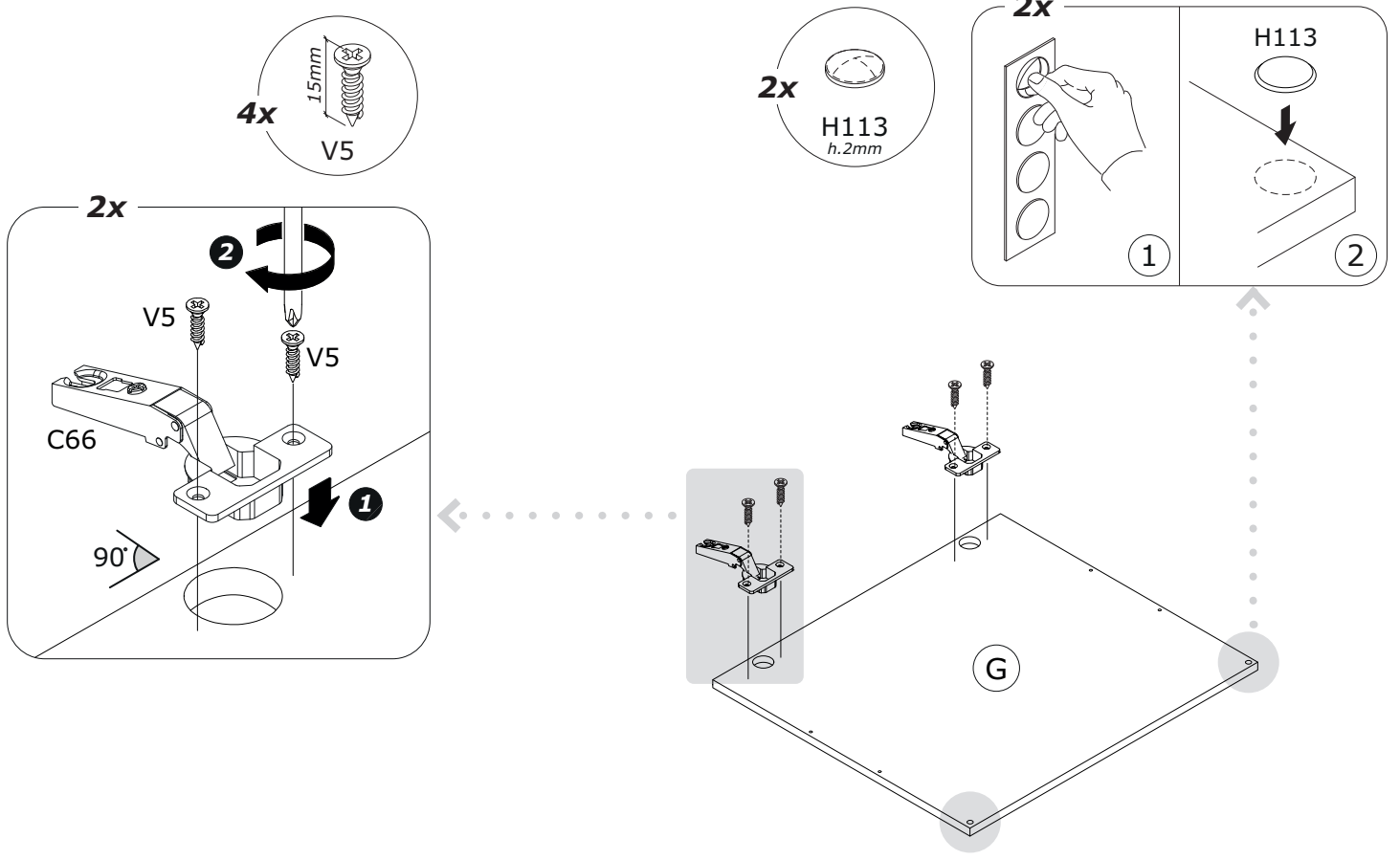
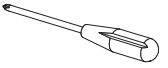
16



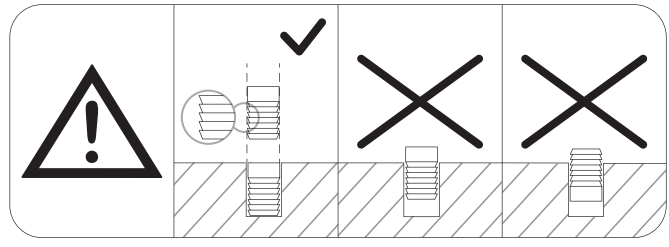
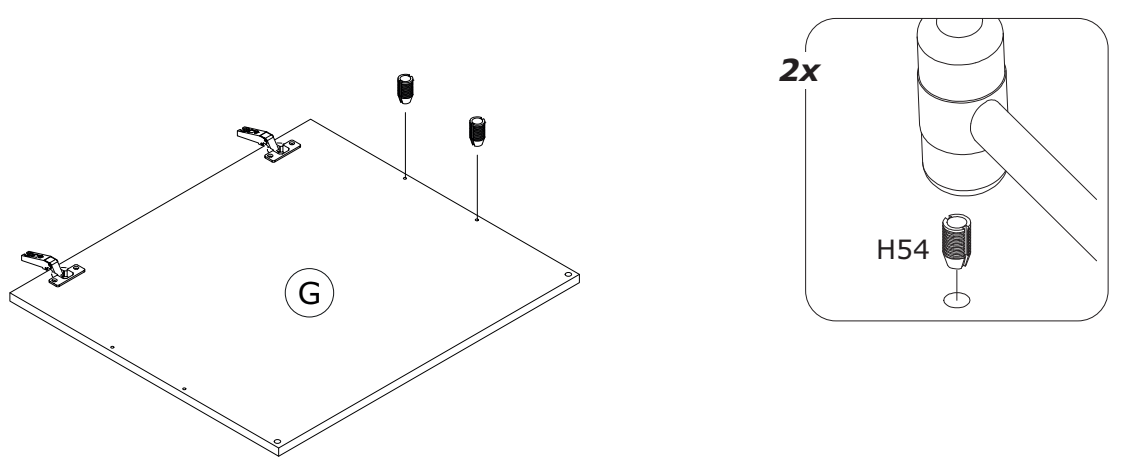
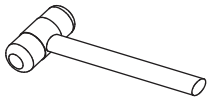
17

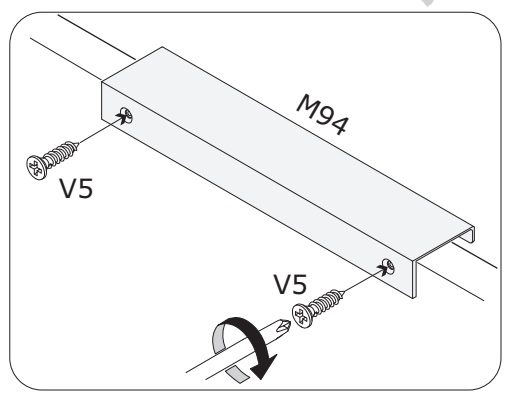
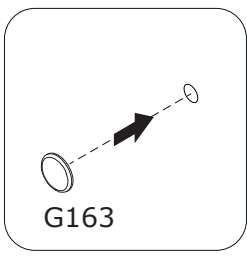
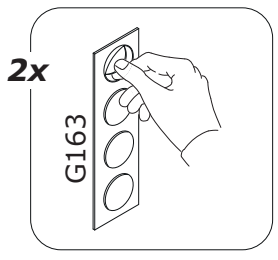
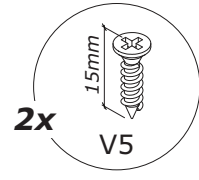
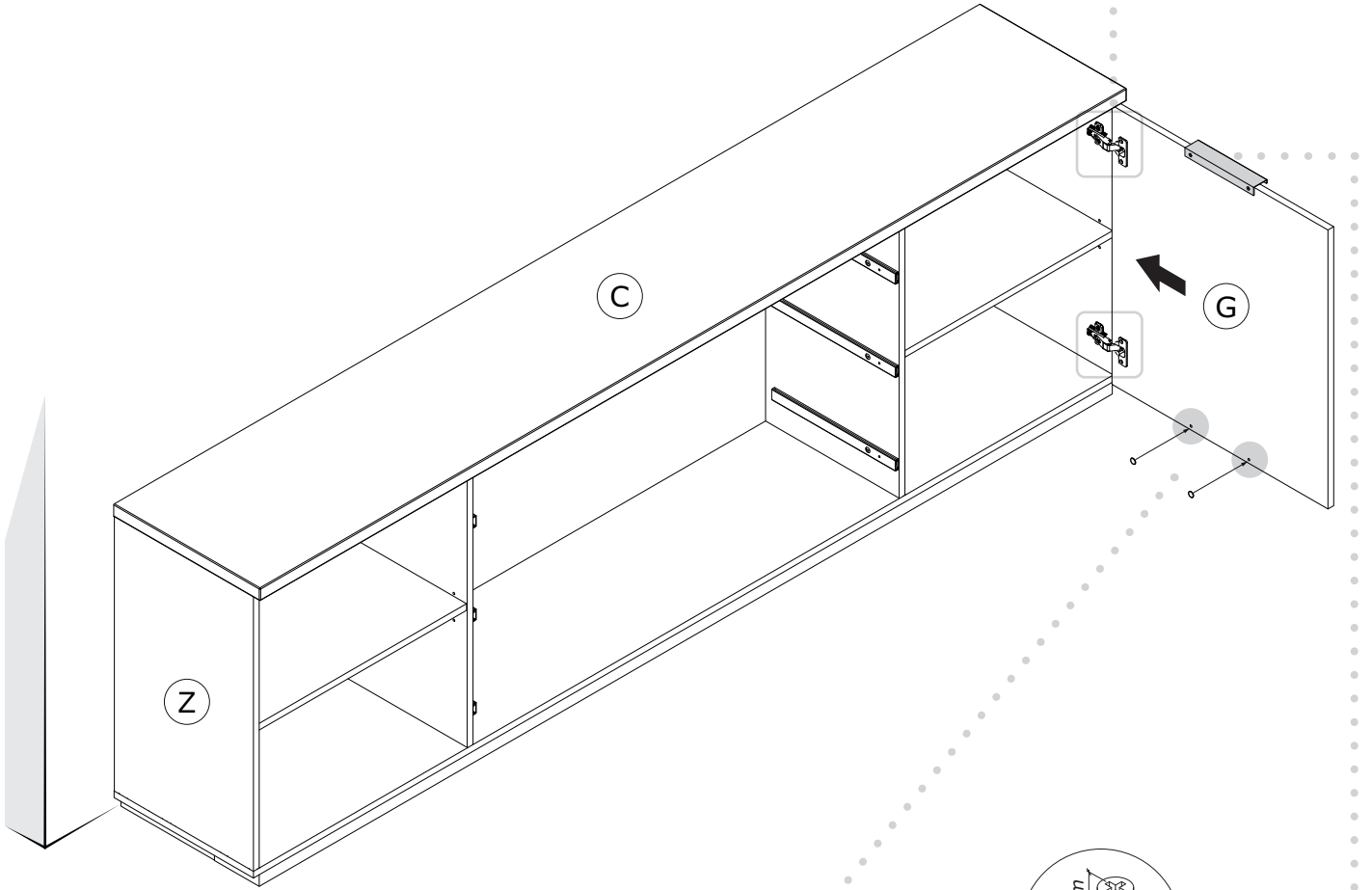
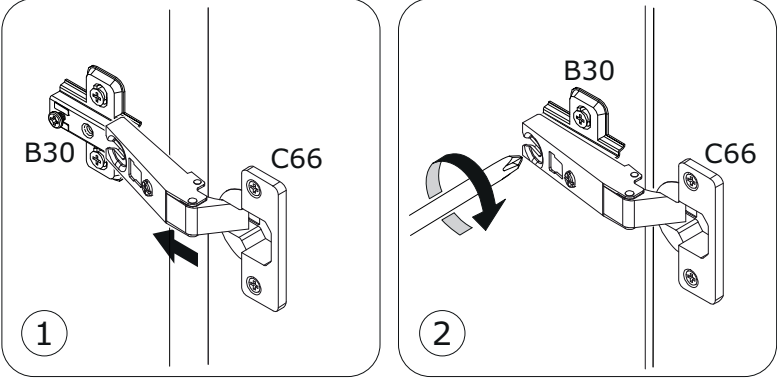
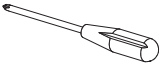


18

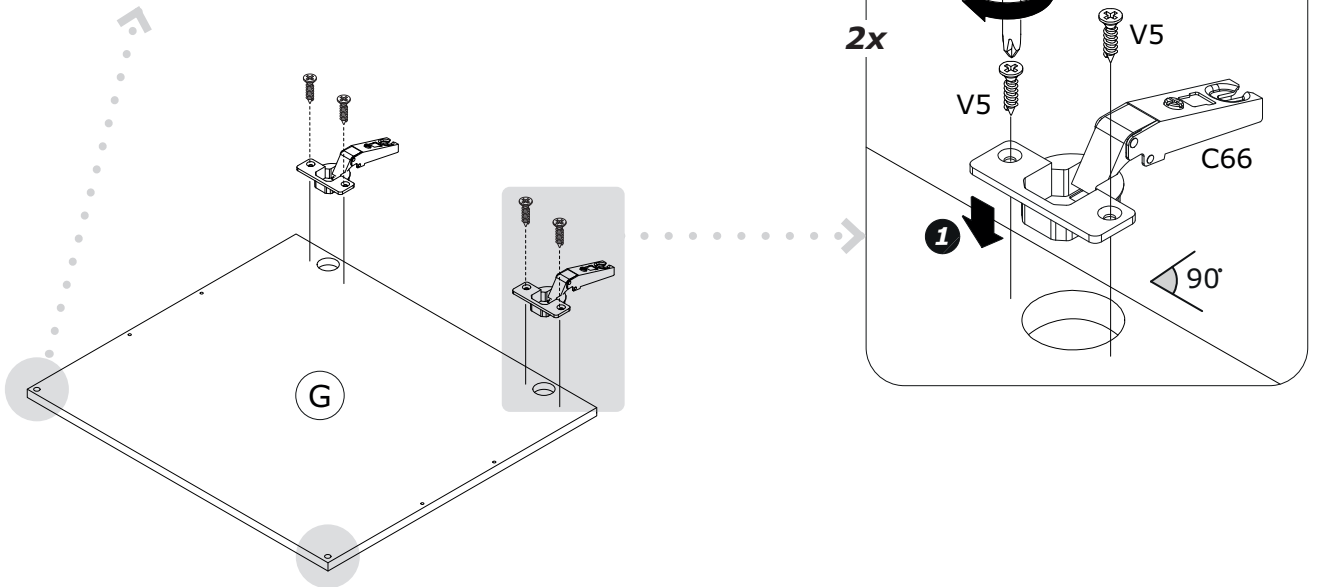
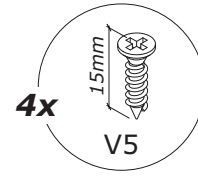
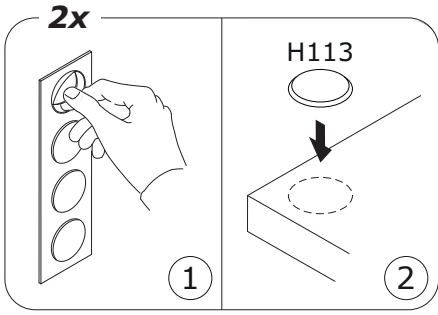
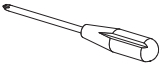


19

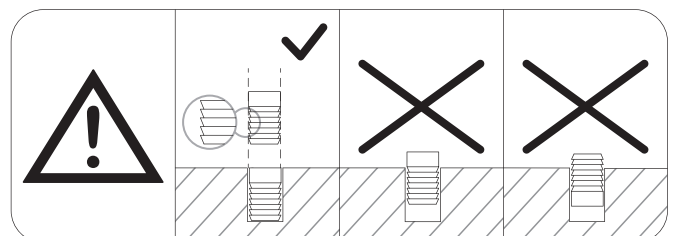
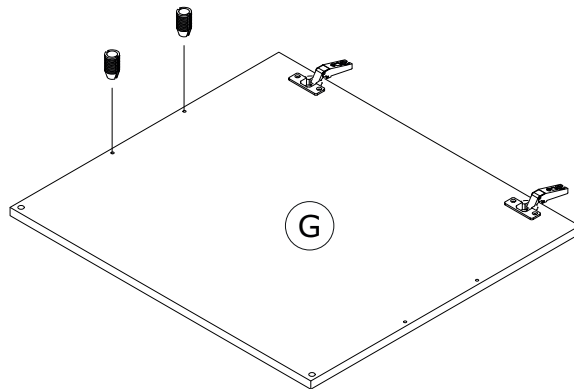
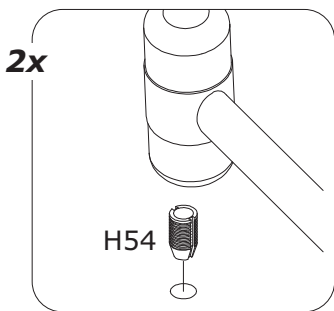
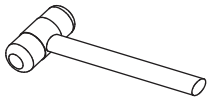


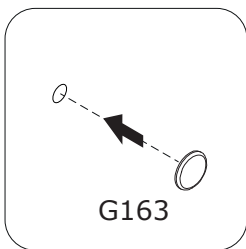
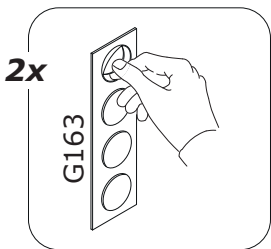
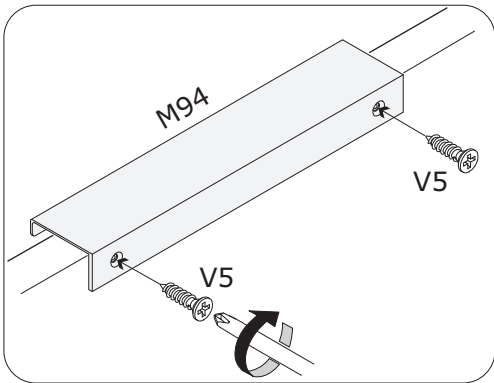
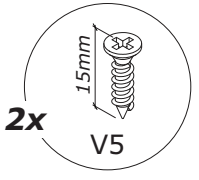
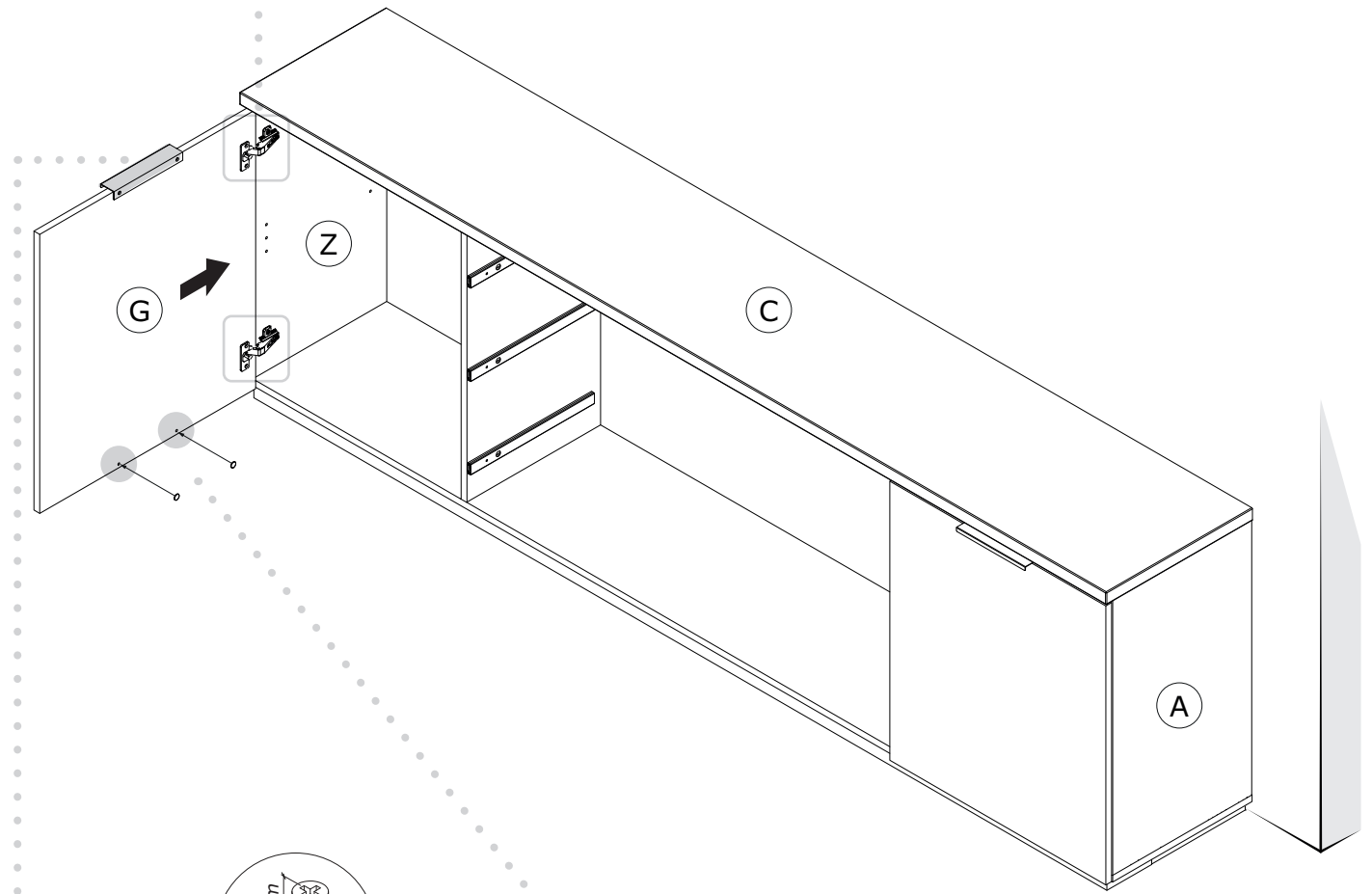
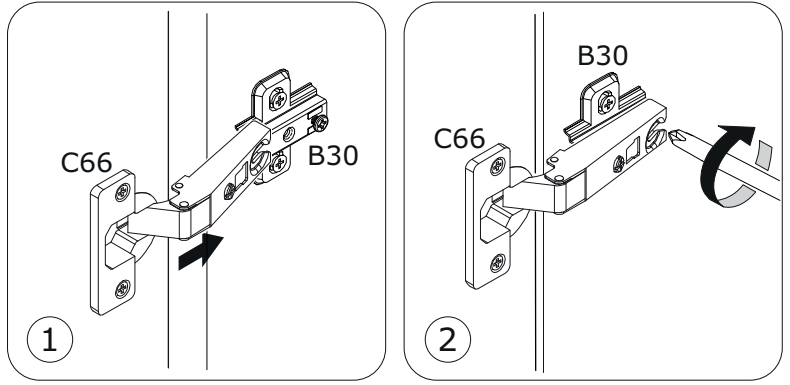
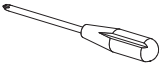


21

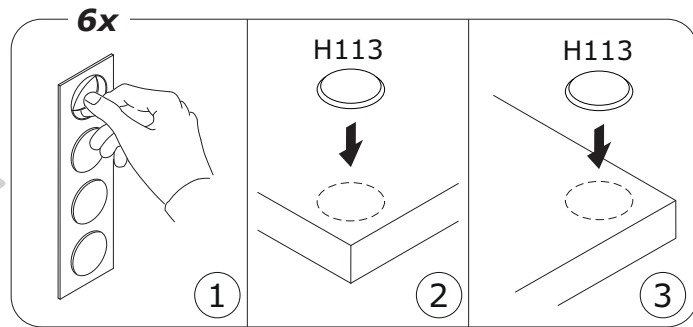
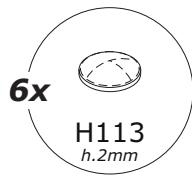
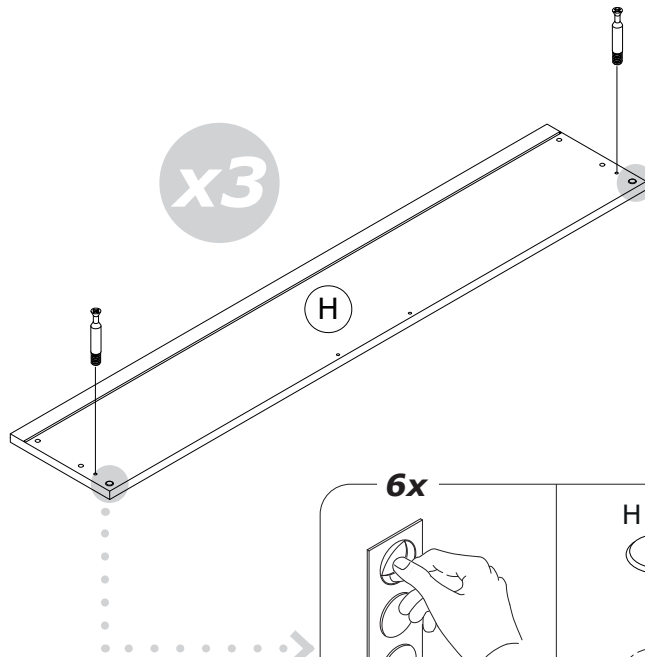
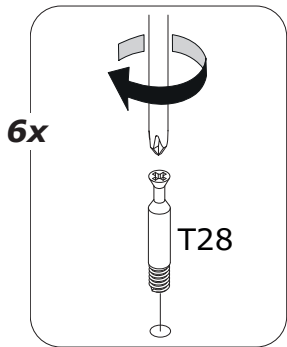


22

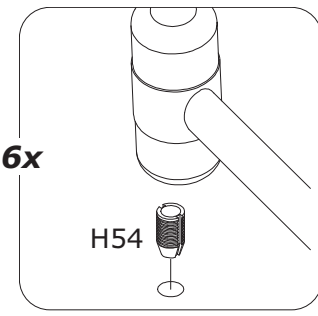
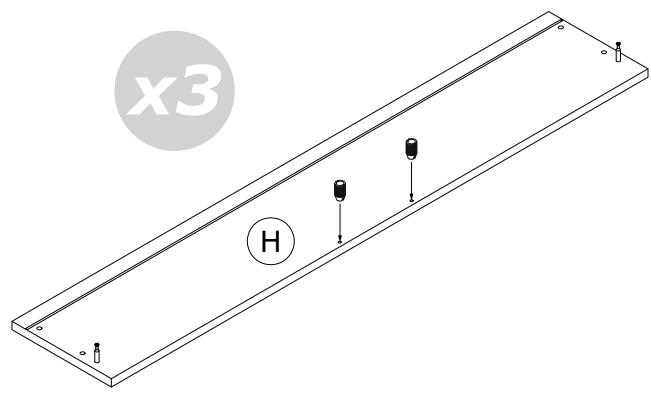




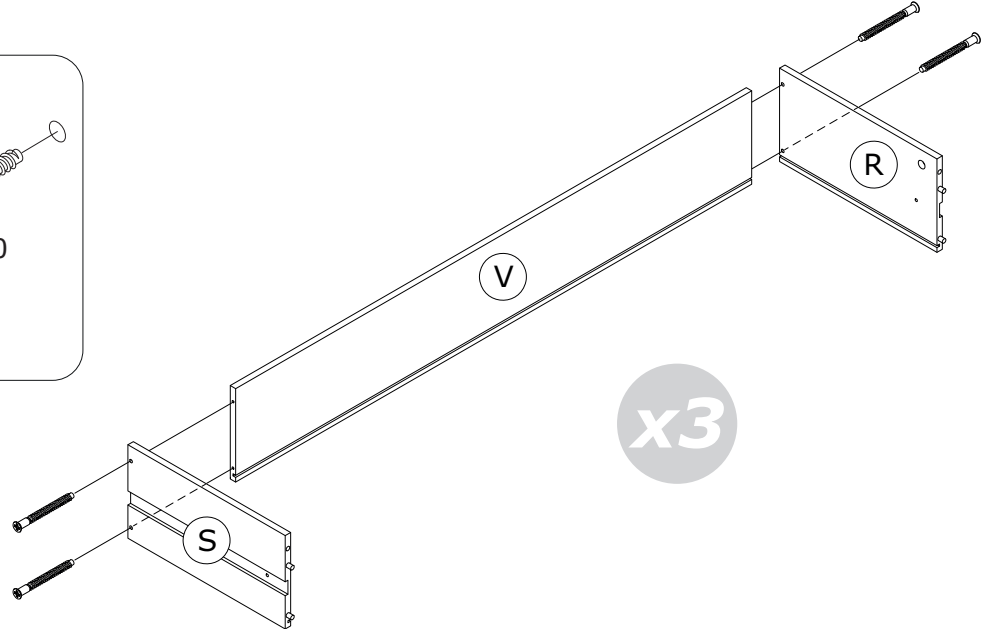
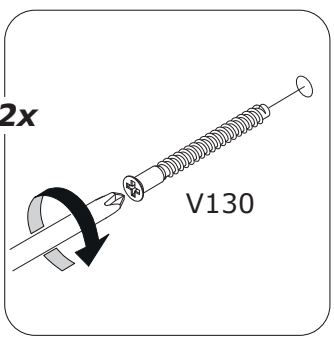
24



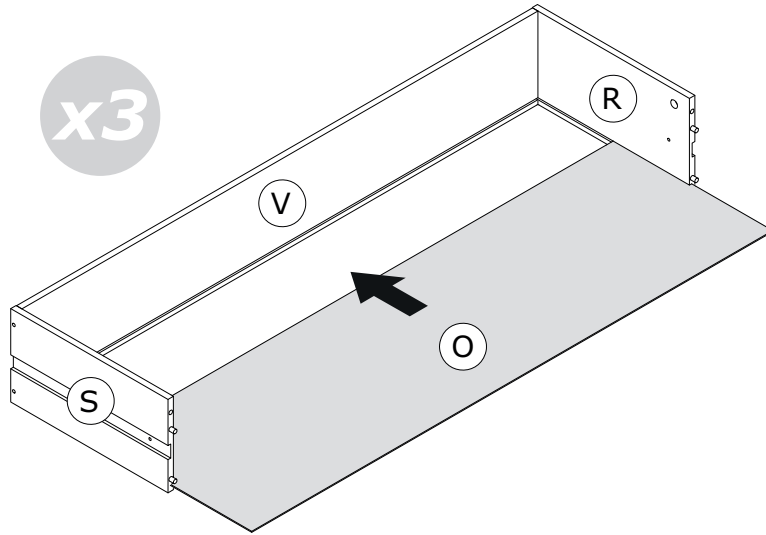
25



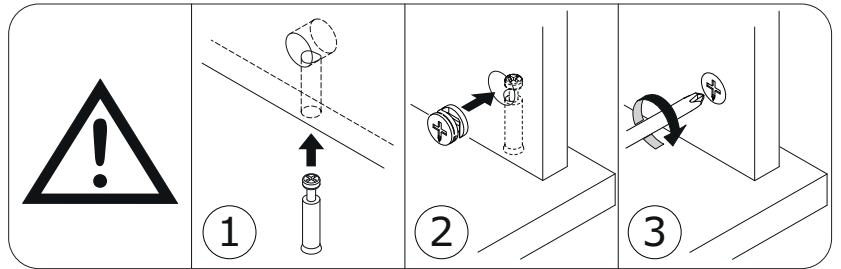
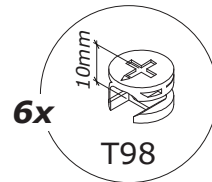
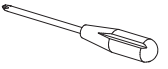
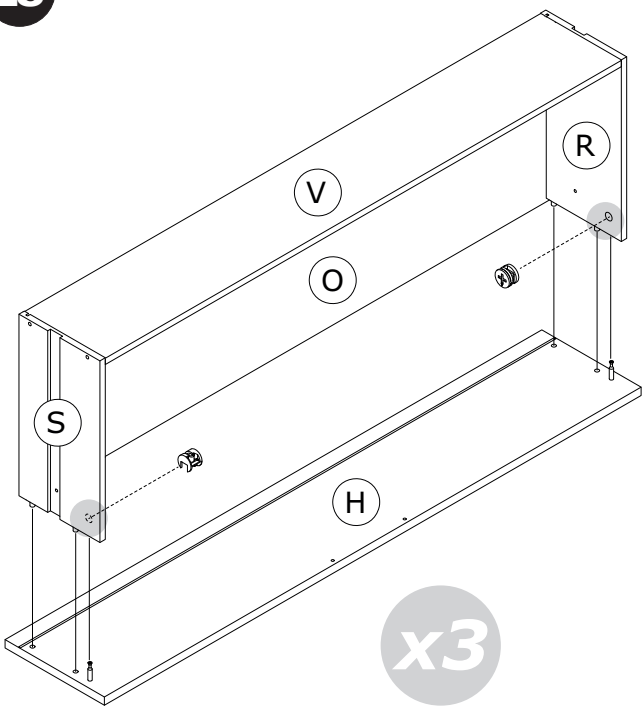
26



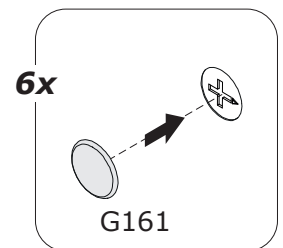
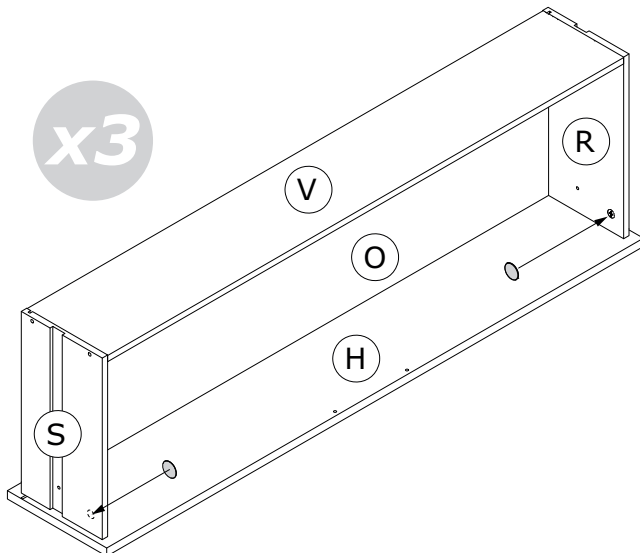
27



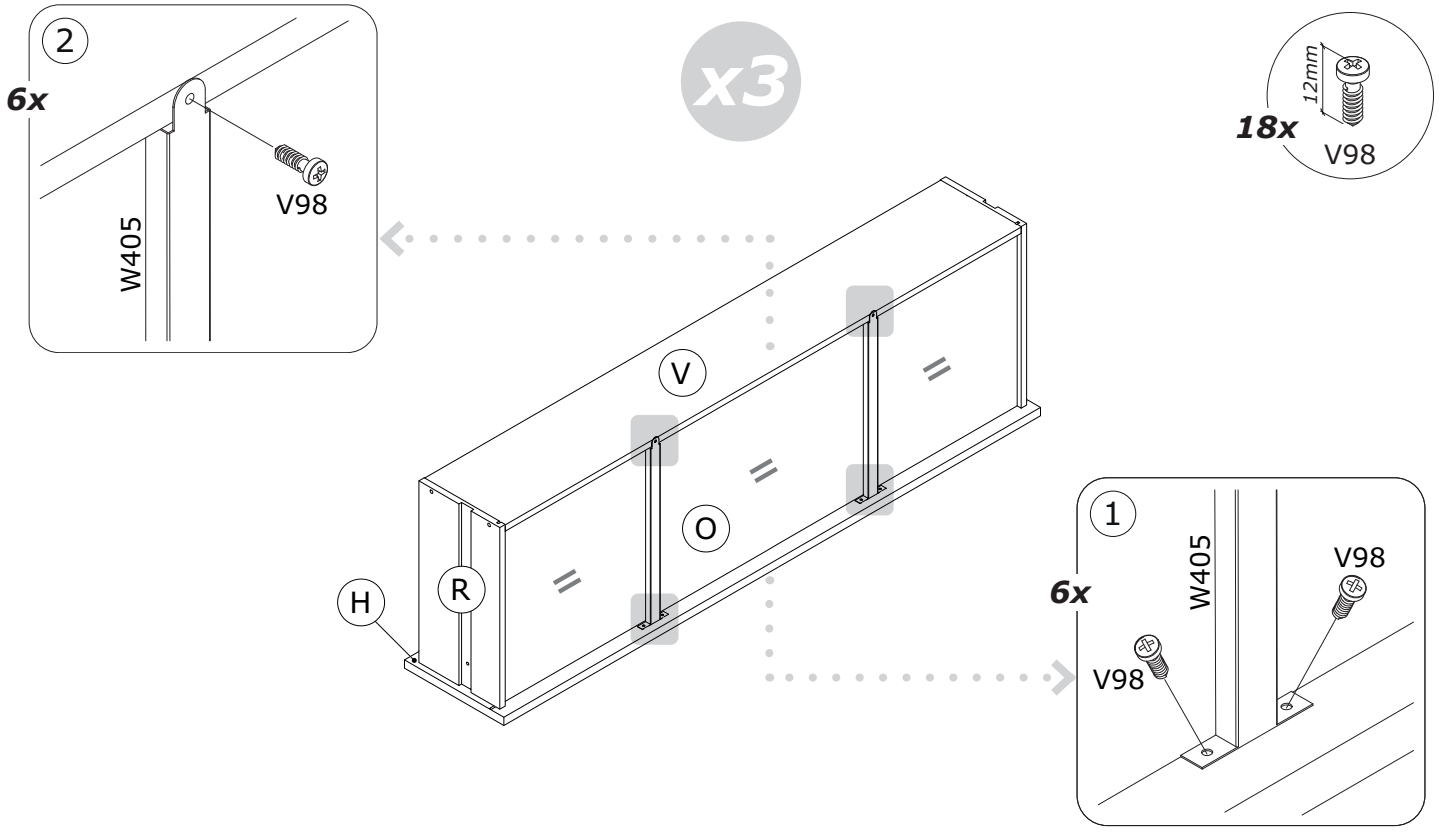
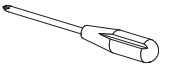
28



29



30



31

