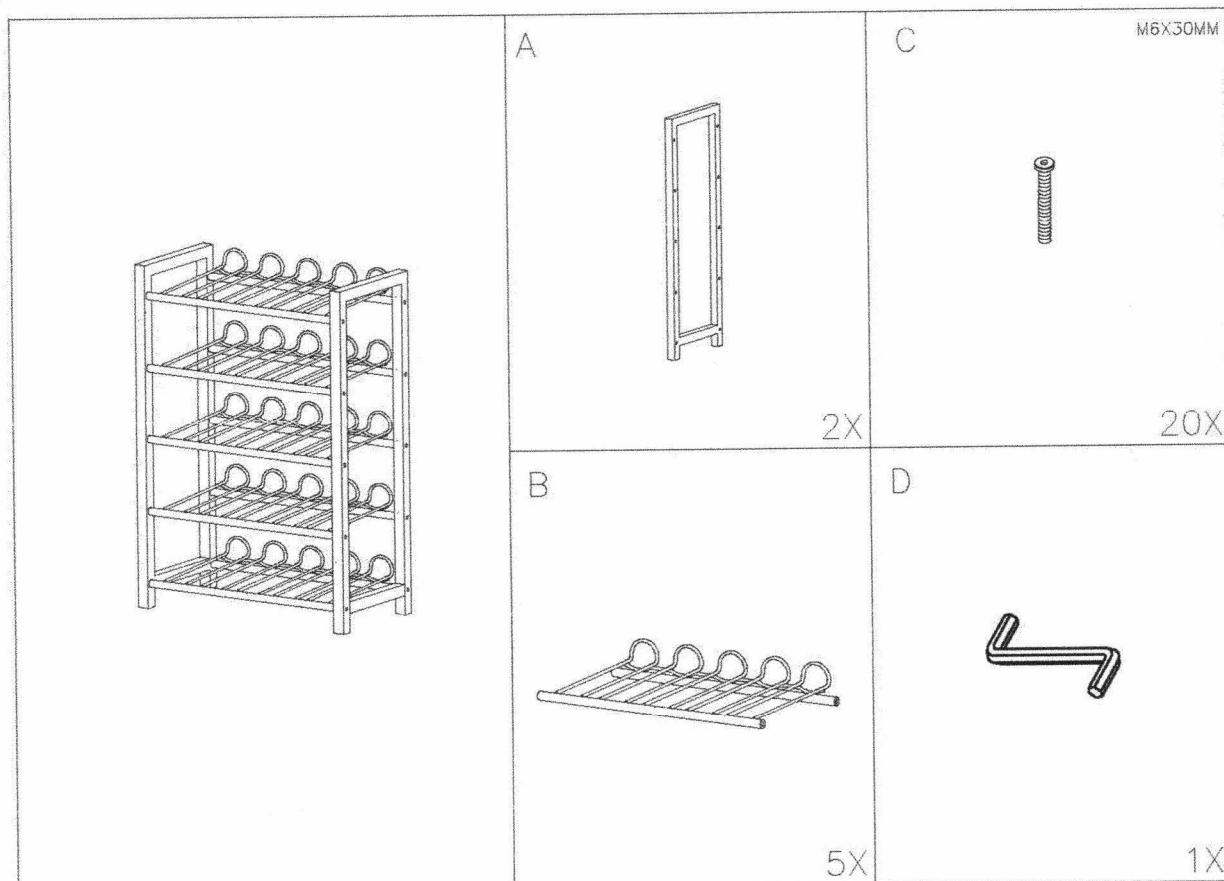


38713(EK09042-5)

Part 104381



1

