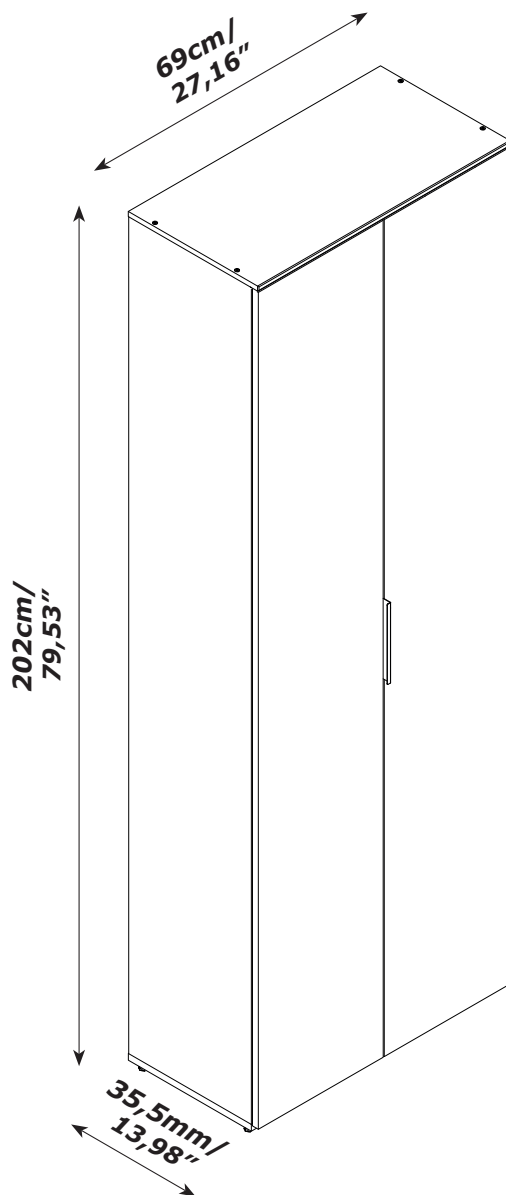


CLA748B92804



MIX
Wood | Supporting
responsible forestry
FSC® C011298



FR

Pensez à
donner ou recycler.



Association

ou



Magasin

ou



Déchèterie

<https://quefairedemesdechets.fr>

QF06488-A

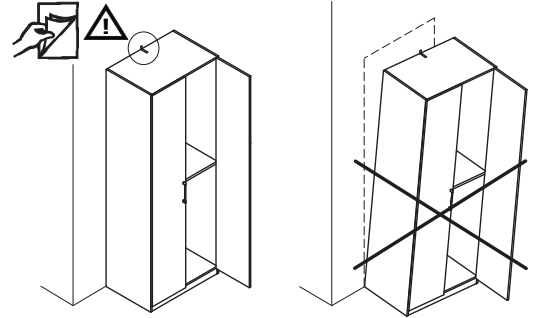
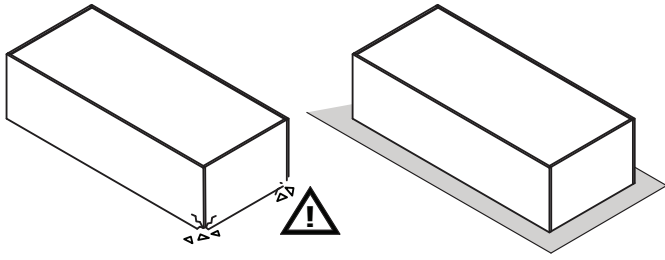
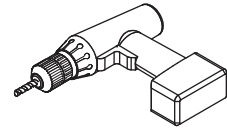
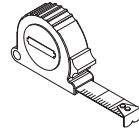
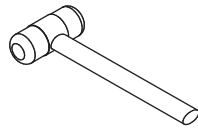
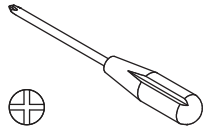
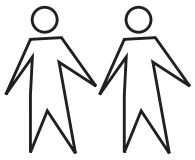


The Eco-Ethical Company

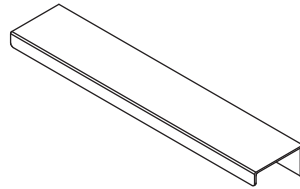


MADE IN ITALY

Produced by COMPOSAD srl, Via Lombardia 29, 46019 Viadana (MN) ITALY

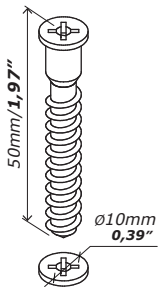


BU05750



M147
x1

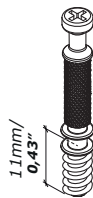
BU05736



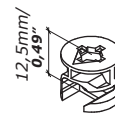
V45
x8



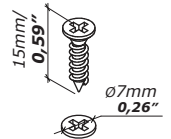
H325
x12



T28
x4



T7
x4



V5
x22



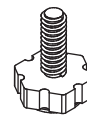
H2
x20



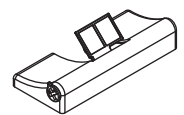
H113
x6



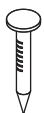
T134
x4



P39
x4



H311
x2



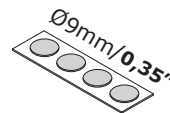
H15
x6



R40
x16

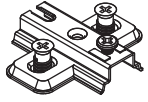


H54
x2

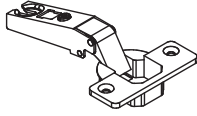


G1480
x2

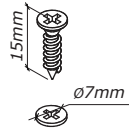
BU4211 x2



B30
x3 [6]

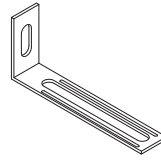


C66
x3 [6]

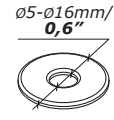


V5
x6 [12]

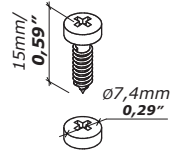
BU05500



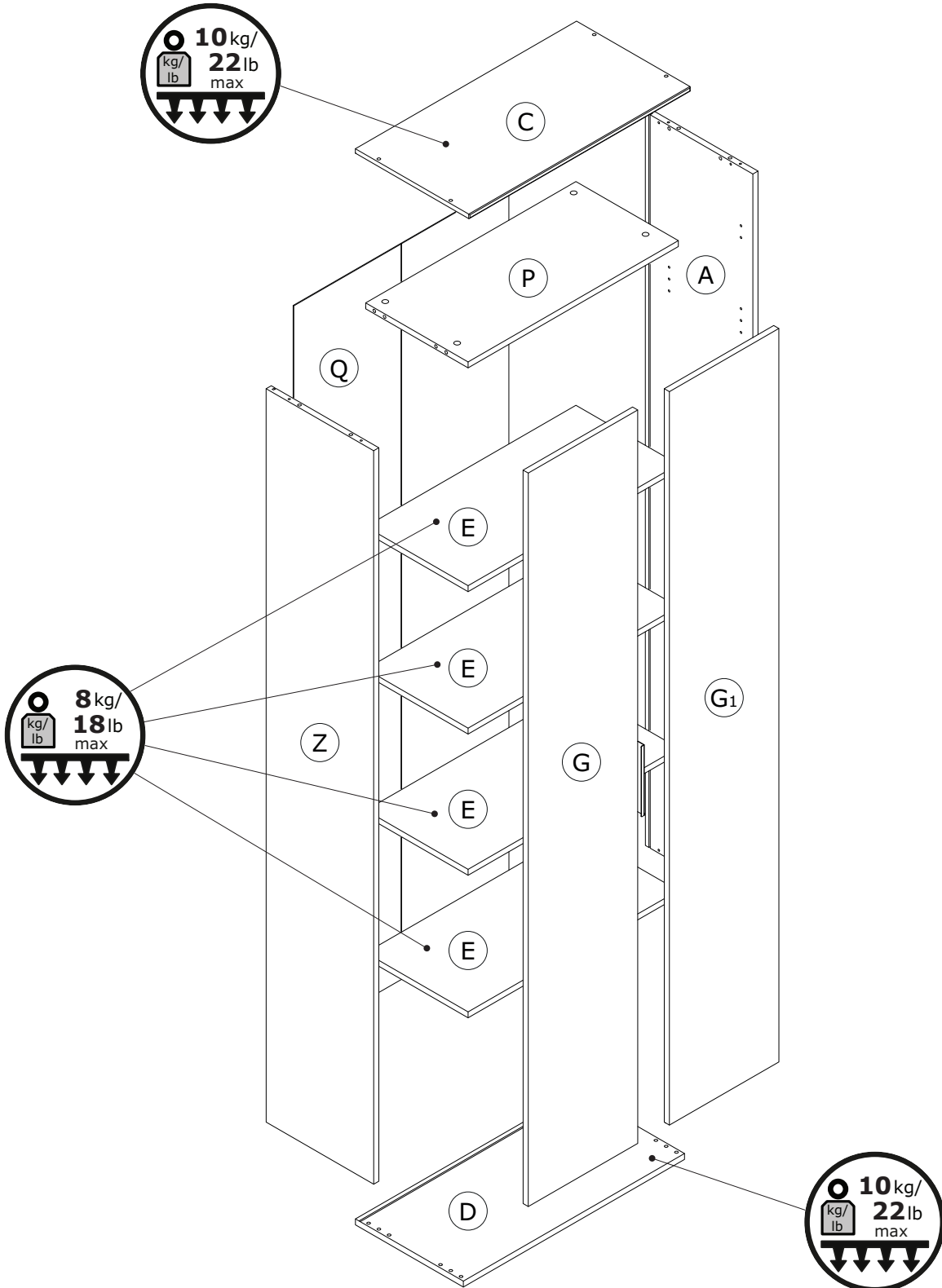
H337
x2

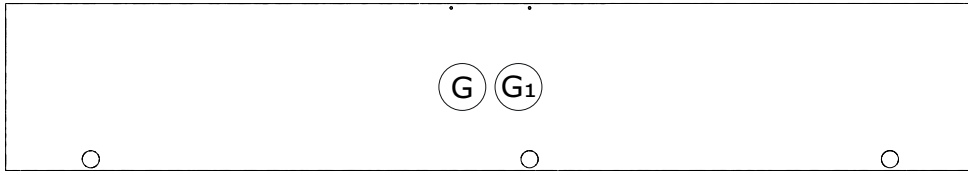


H129
x4

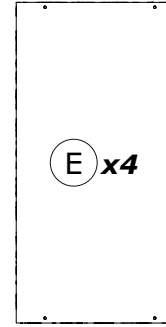


V81
x4



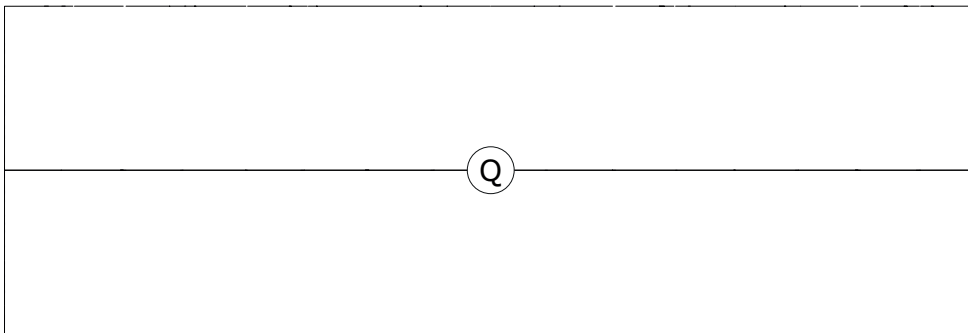


AN03620
1980x341x16mm
77,95"x13,42"x0,63"

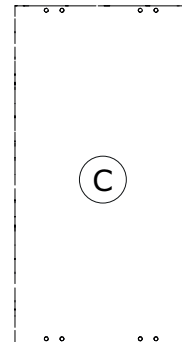


PI08119
655x319x16mm
25,79"x12,56"x0,63"

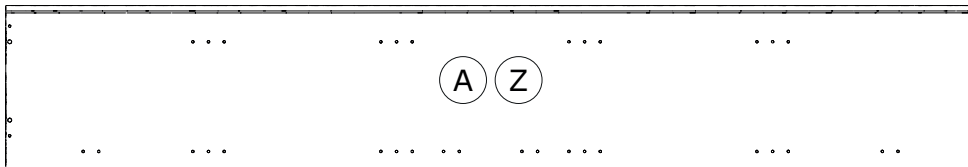
BOX 1/2



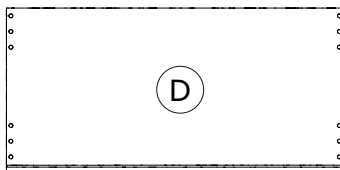
SH04160
1986x670x2mm
78,18"x26,38"x0,08"



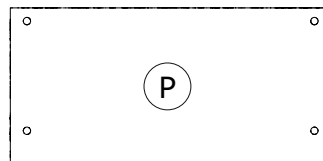
CA04319
689x355x12mm
27,13"x13,98"x0,47"



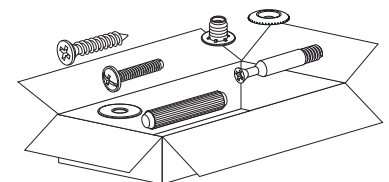
FI10261
1980x335x16mm
77,95"x13,19"x0,63"



BA02619
689x336x16mm
27,13"x13,23"x0,63"

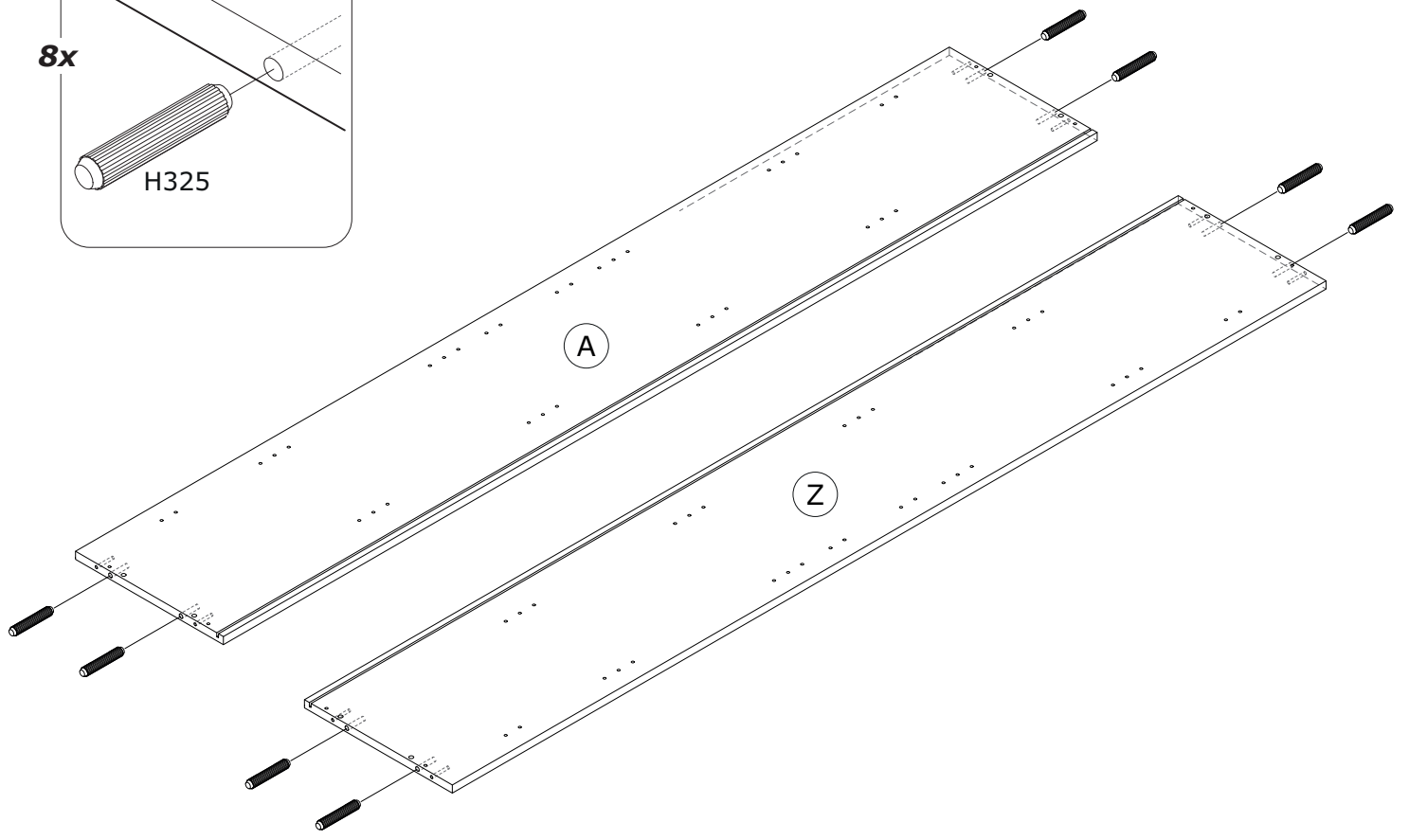
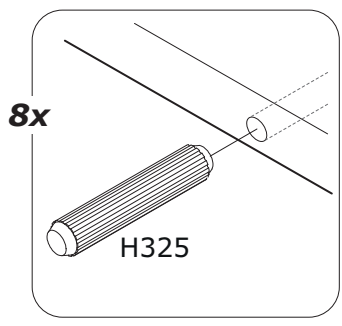
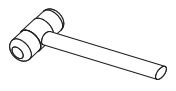


PI08118
655x319x16mm
25,79"x12,56"x0,63"

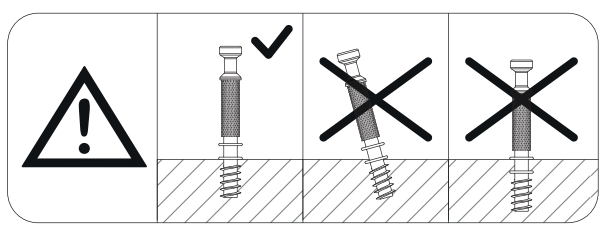
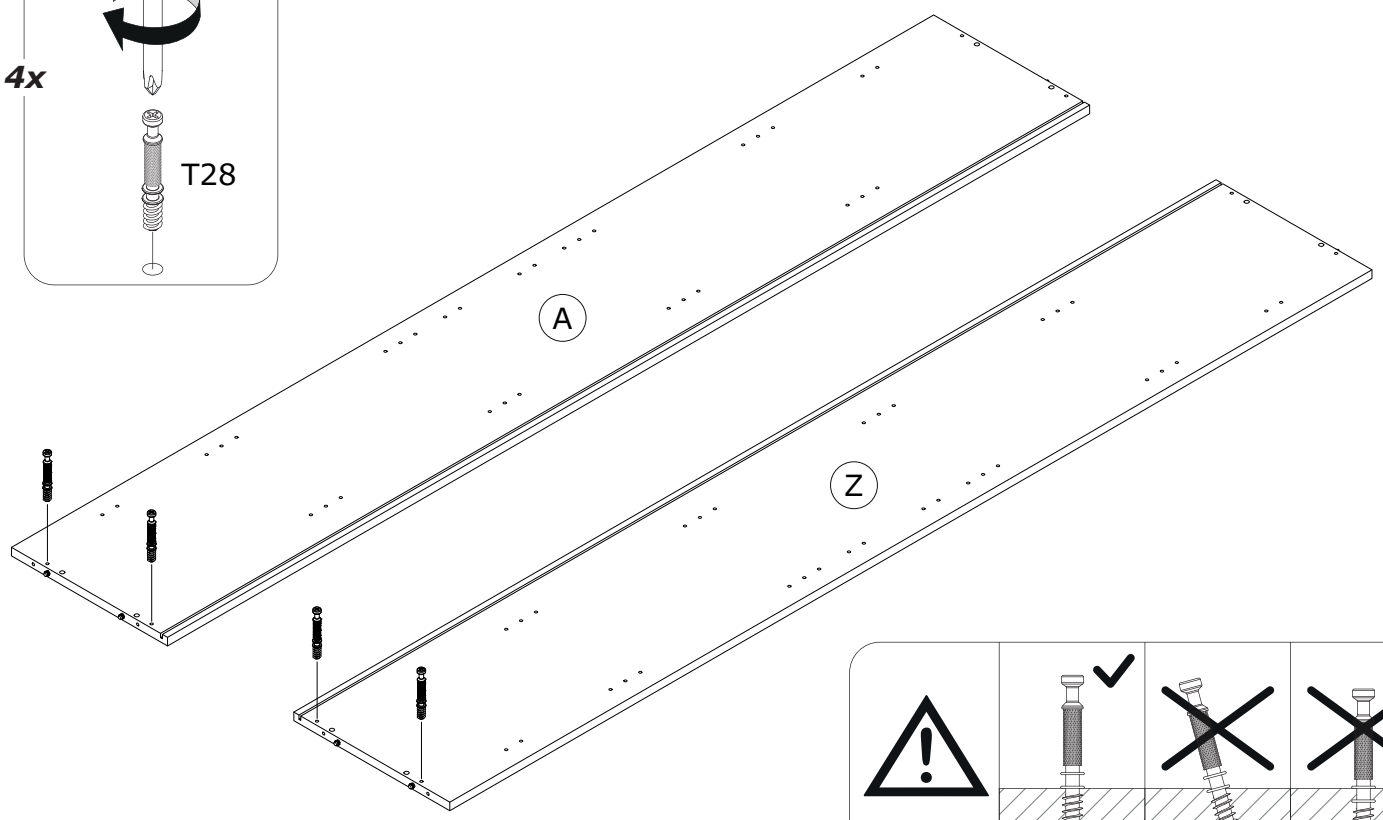
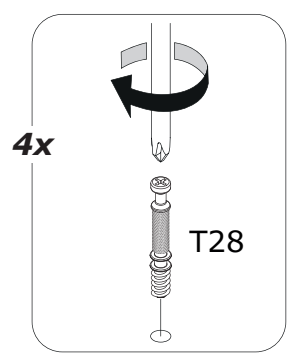
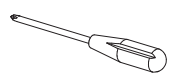


BOX 2/2

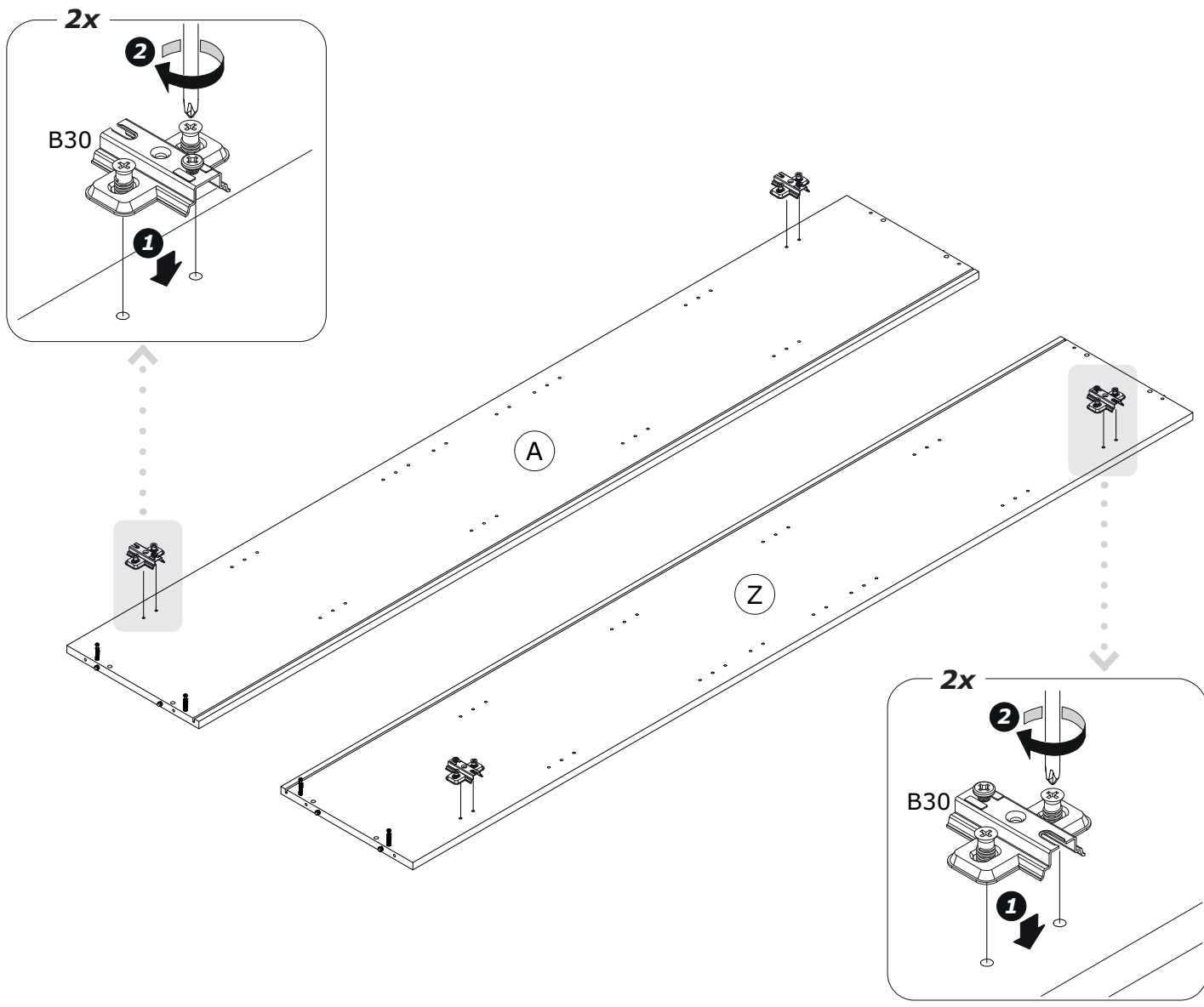
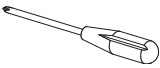
1



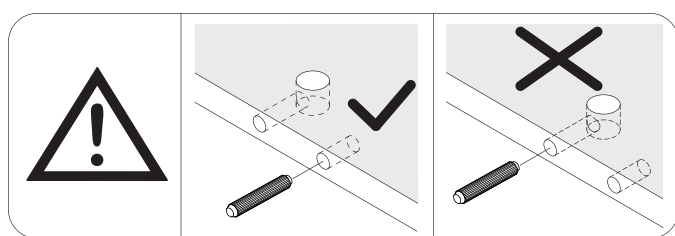
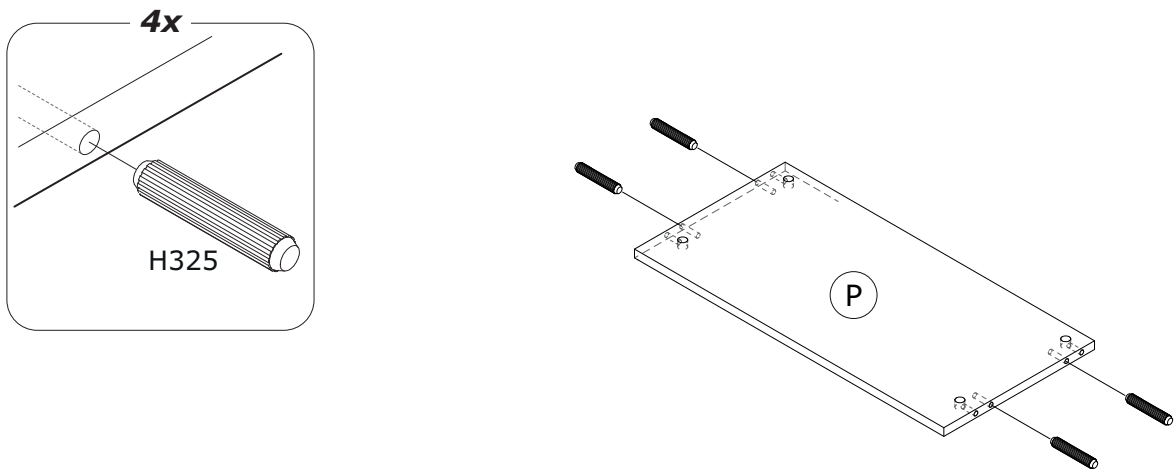
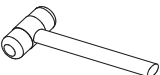
2



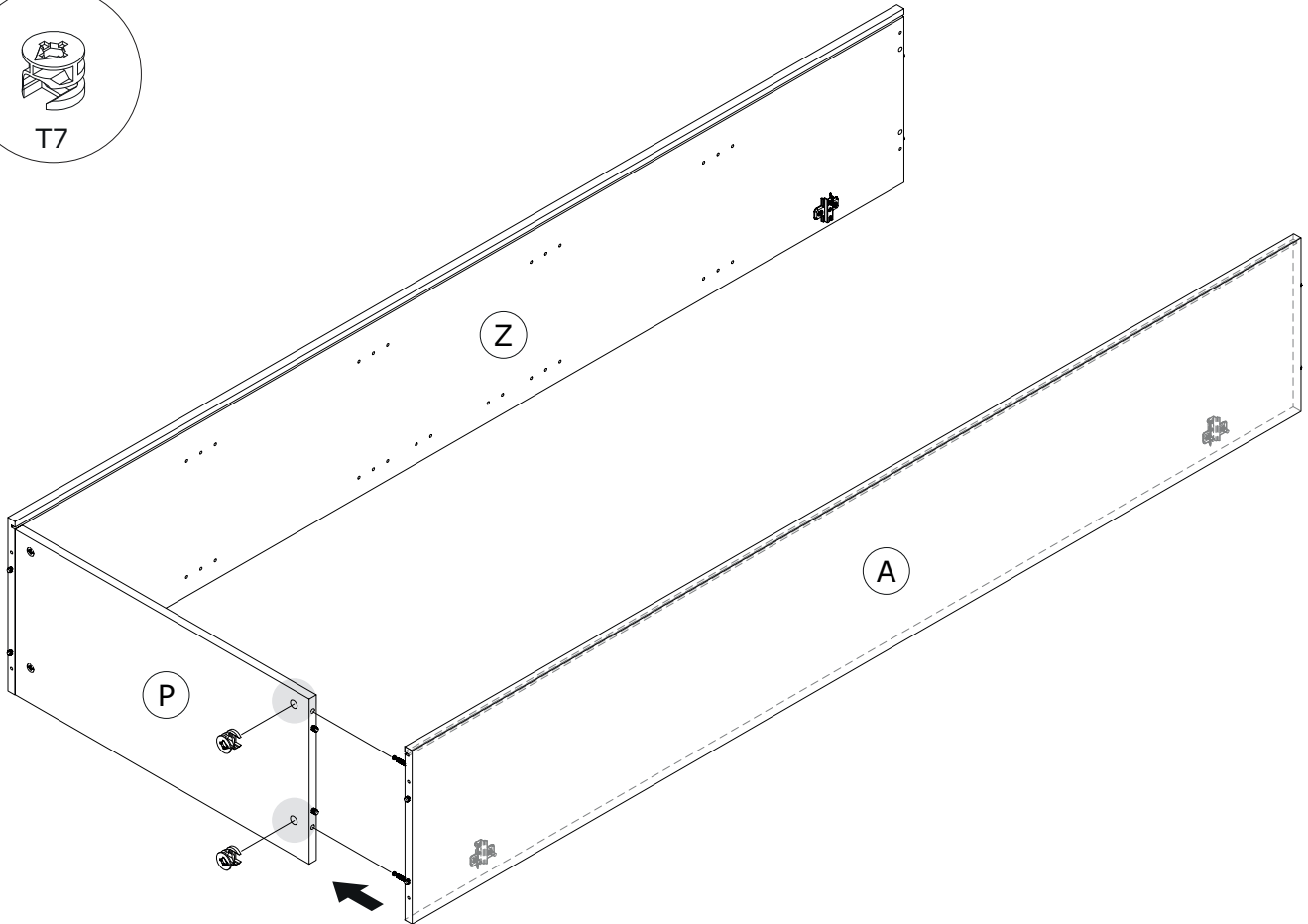
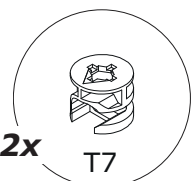
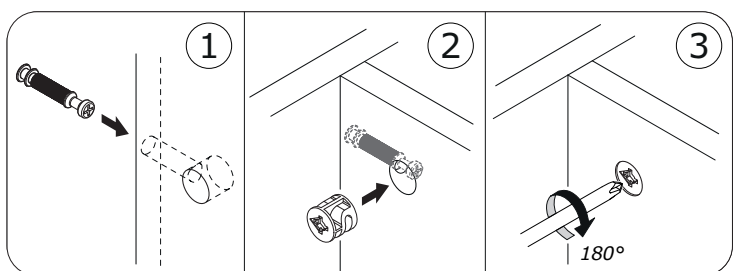
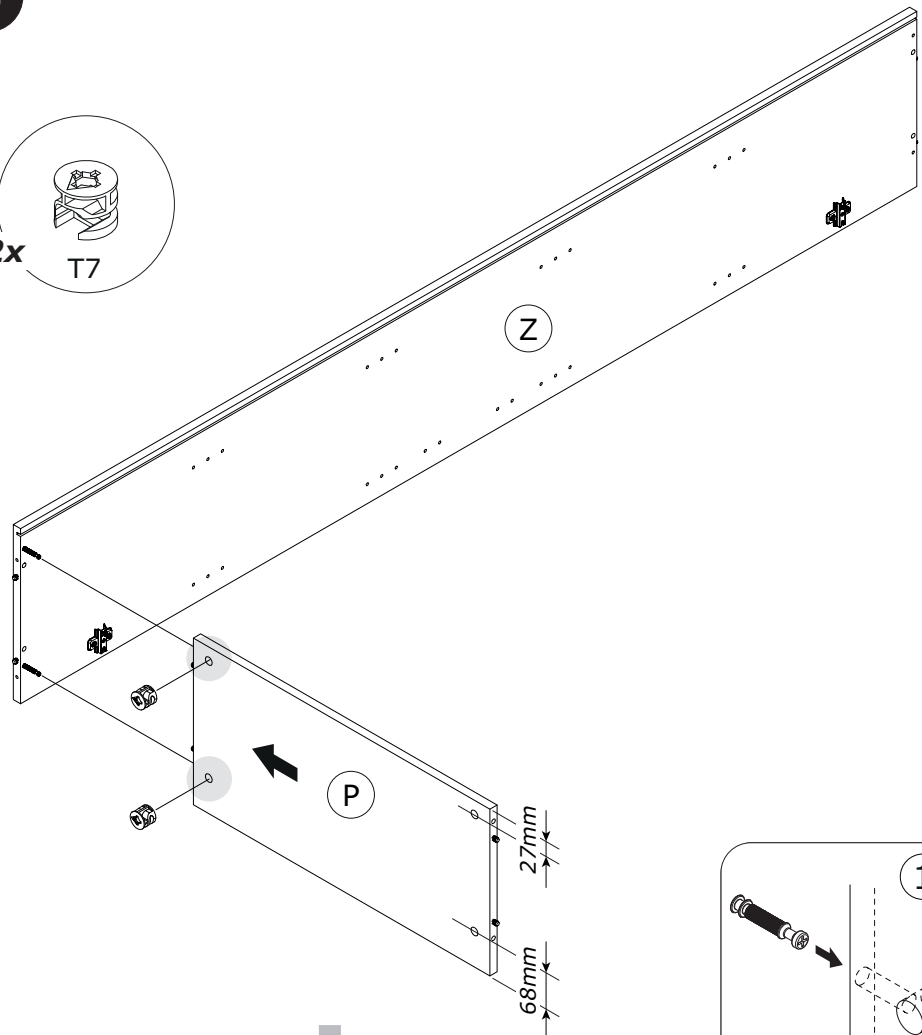
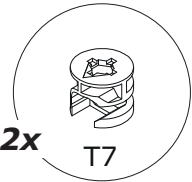
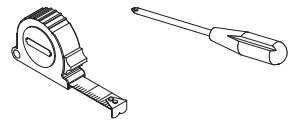
3



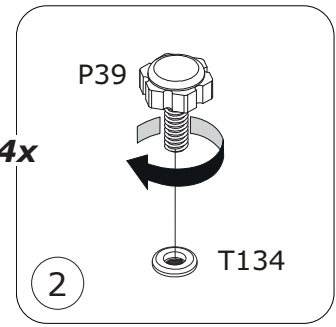
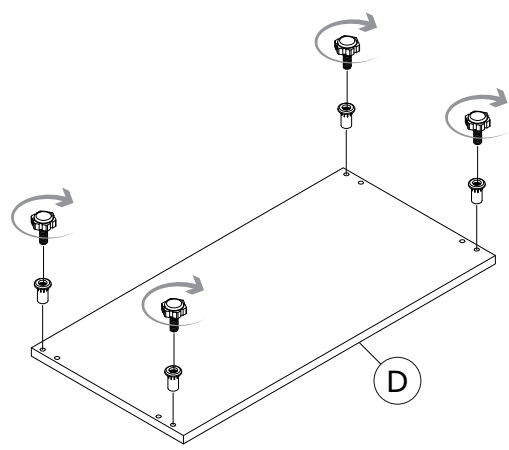
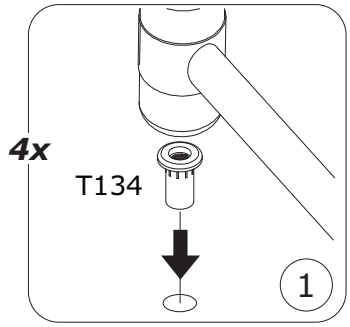
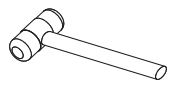
4



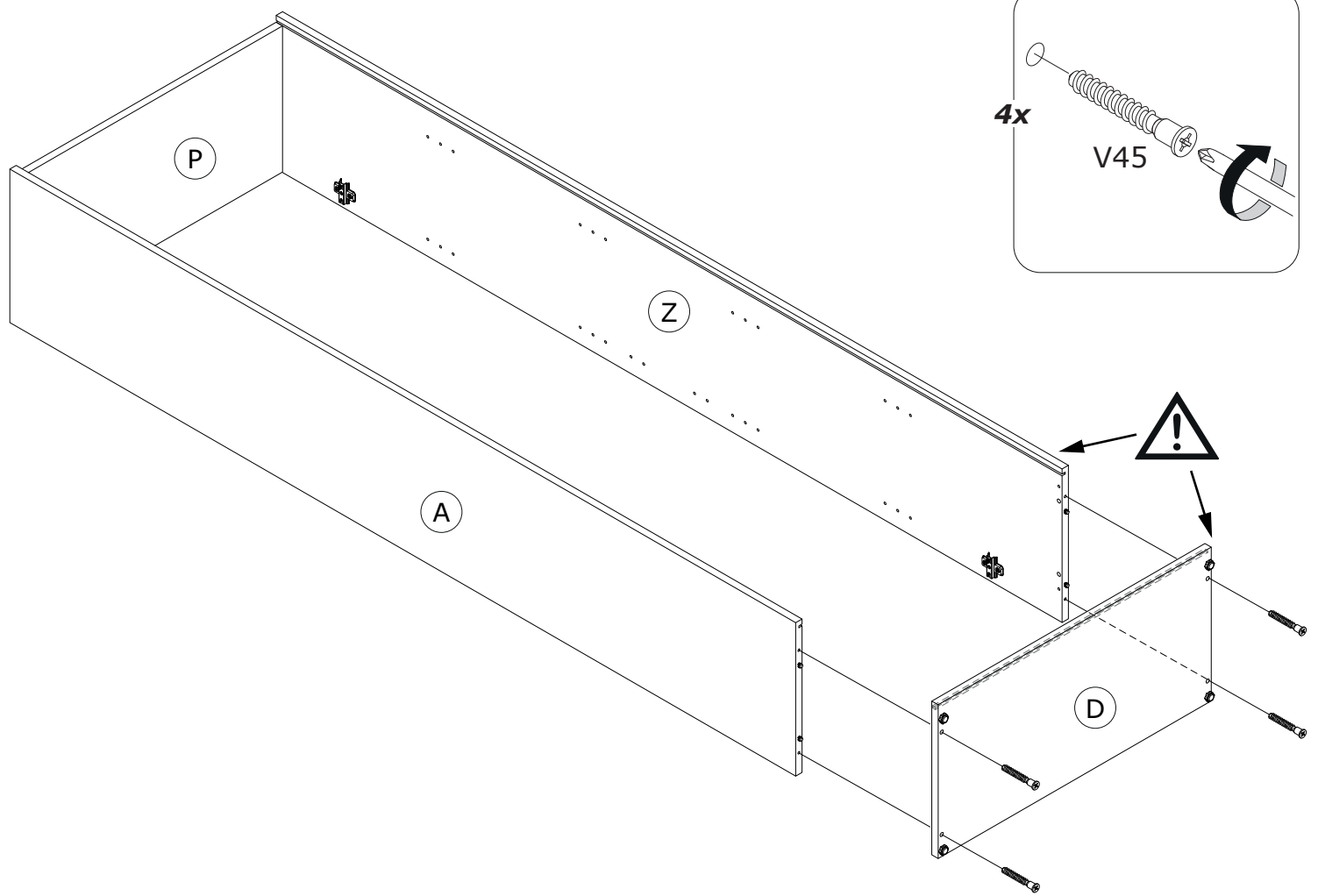
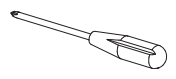
5



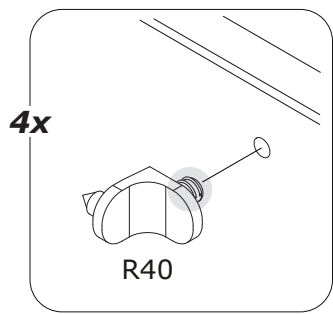
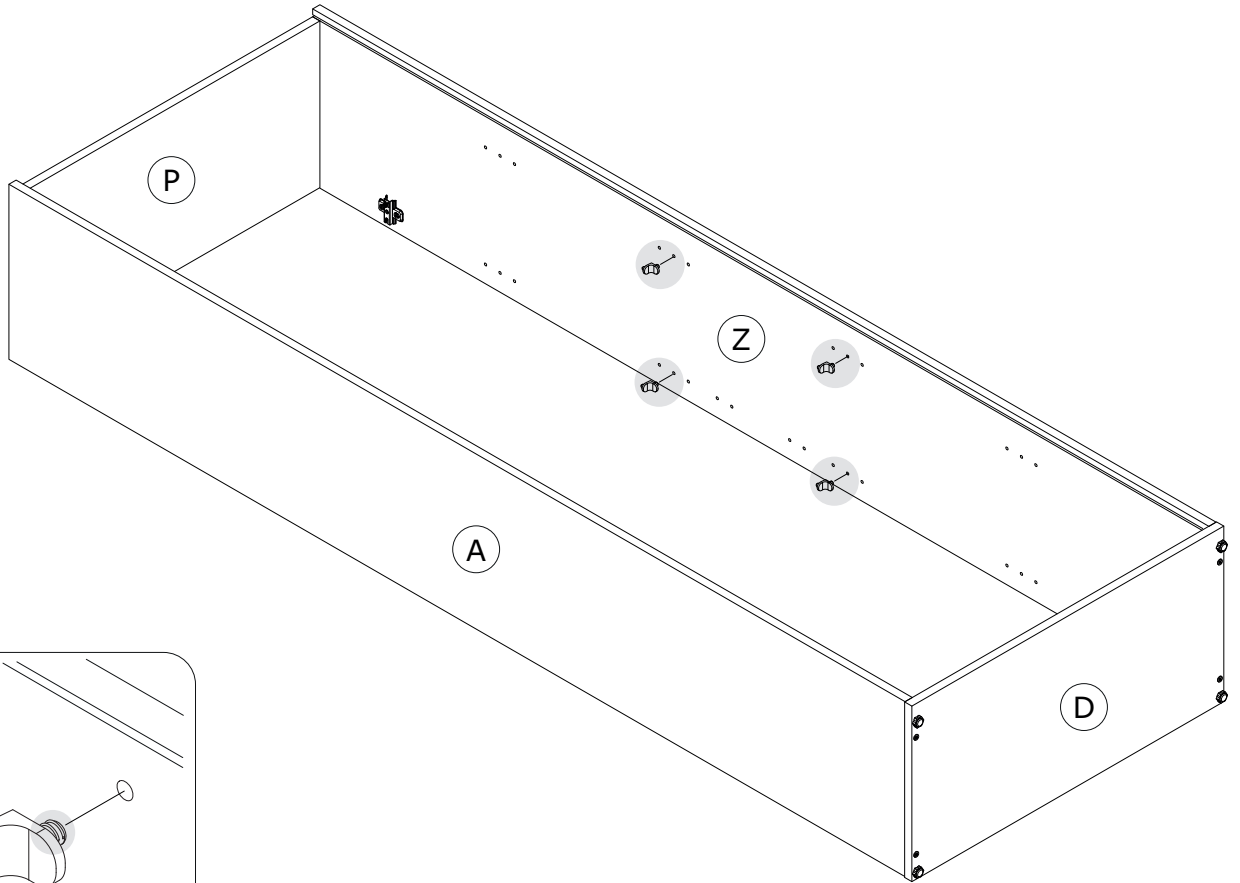
6



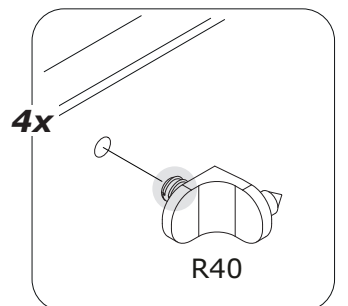
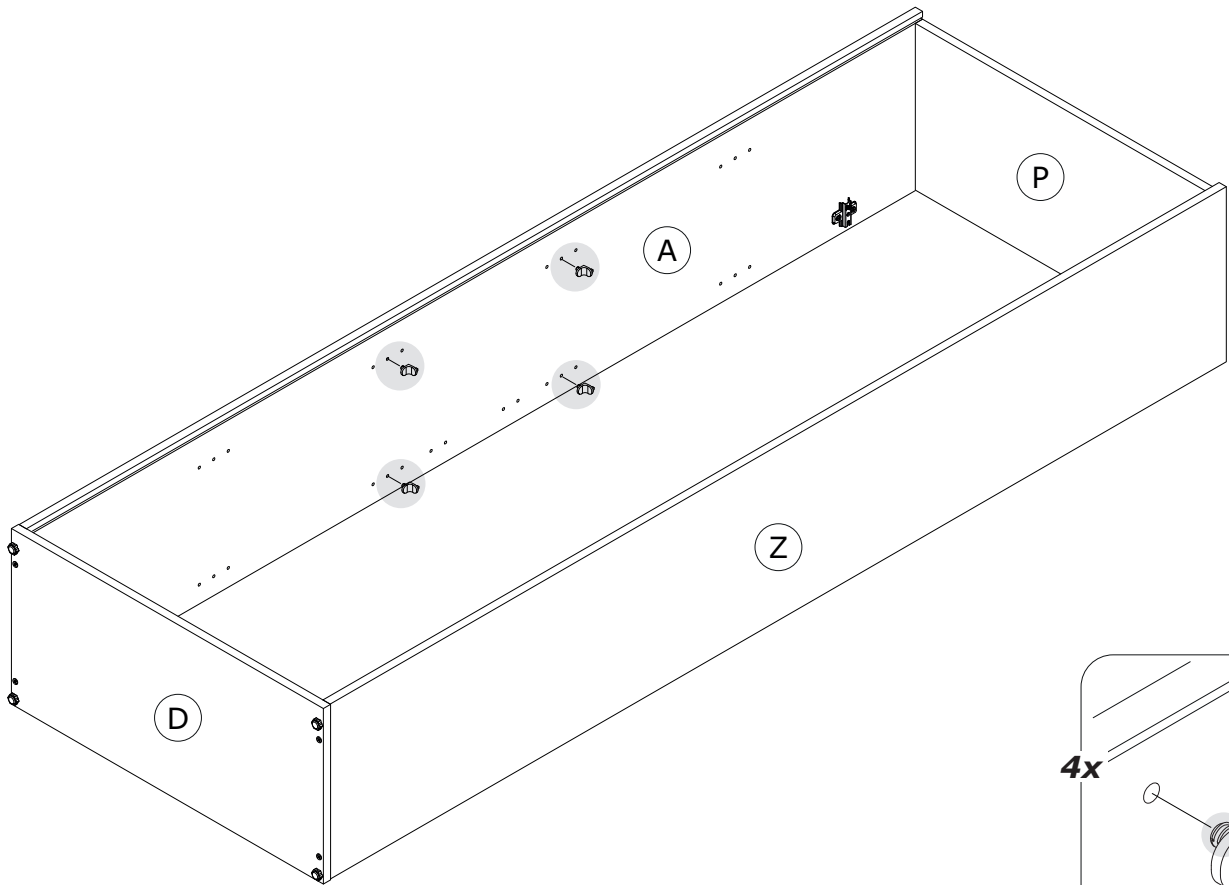
7



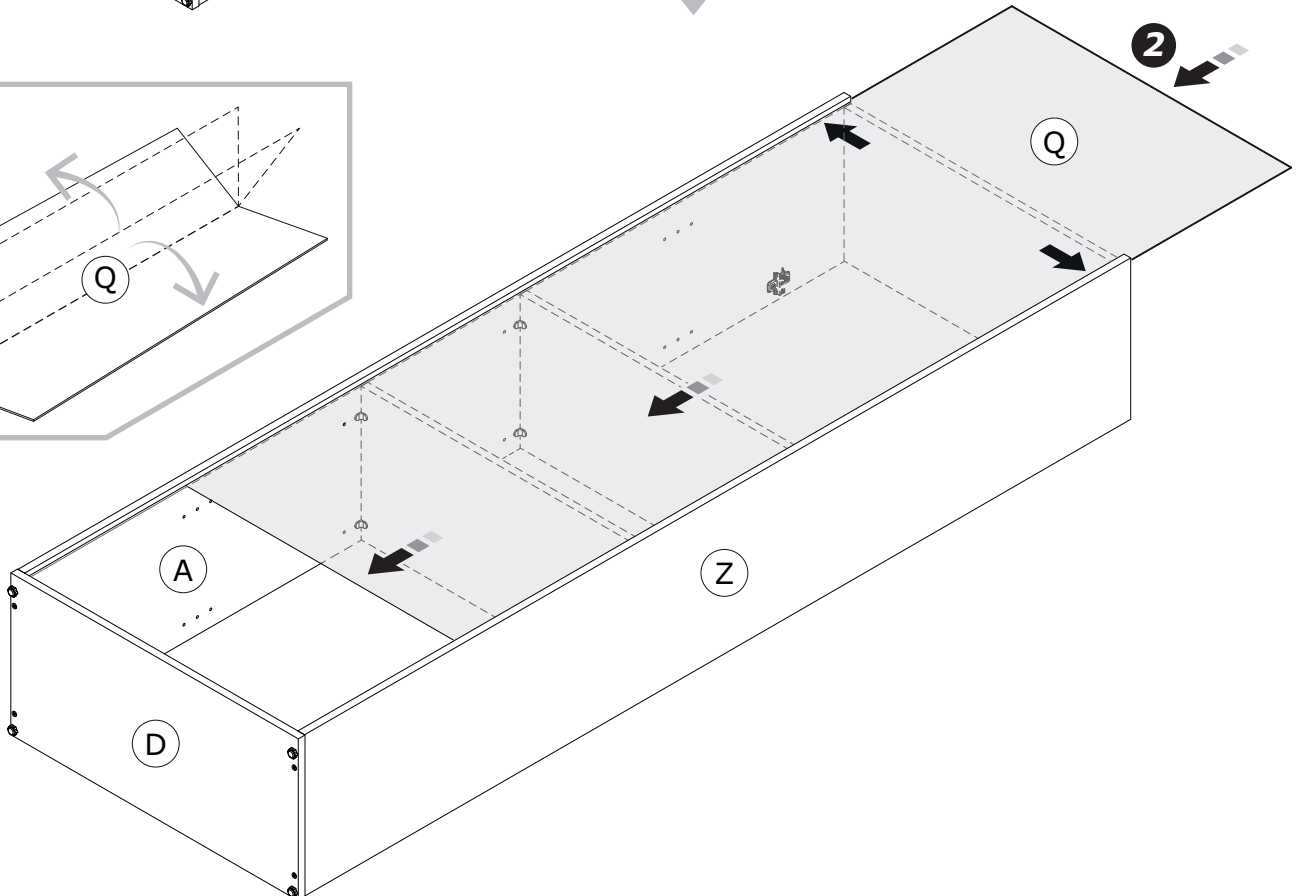
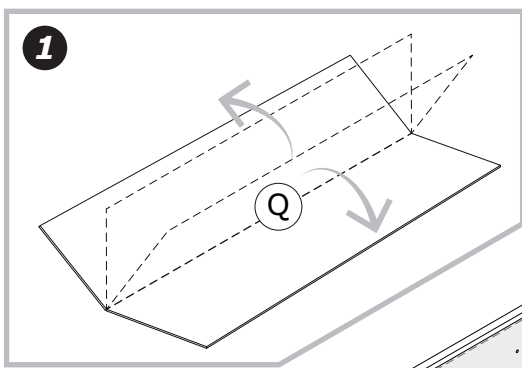
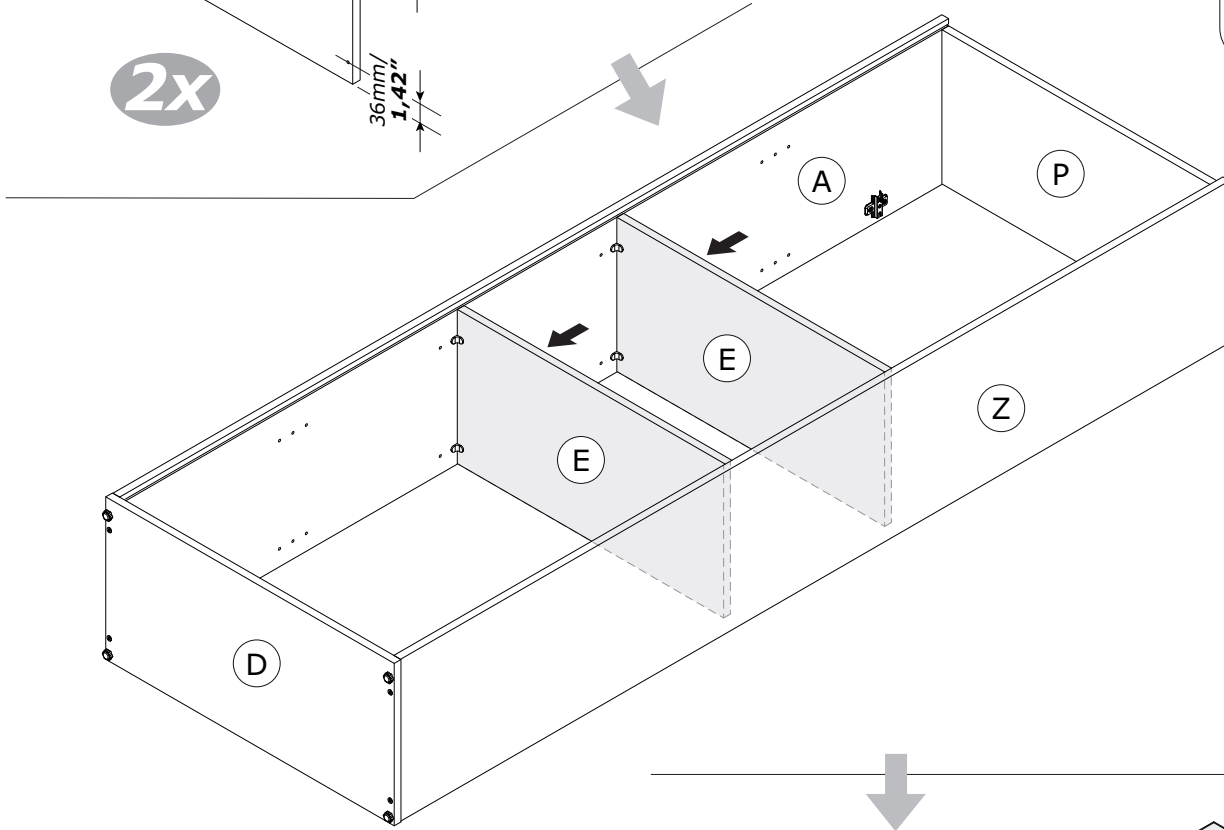
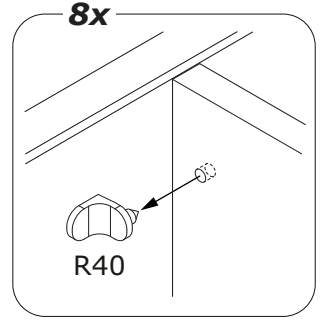
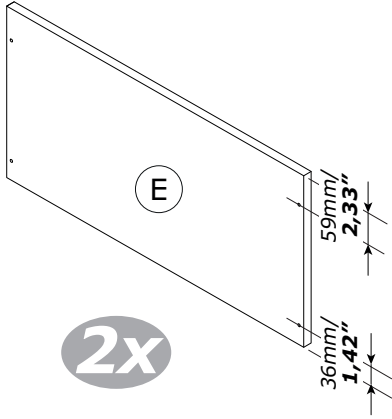
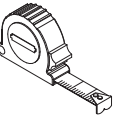
8



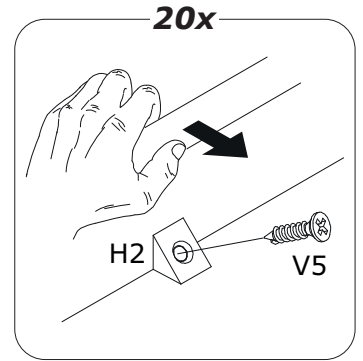
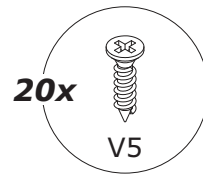
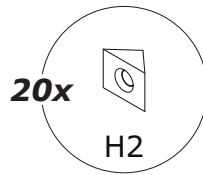
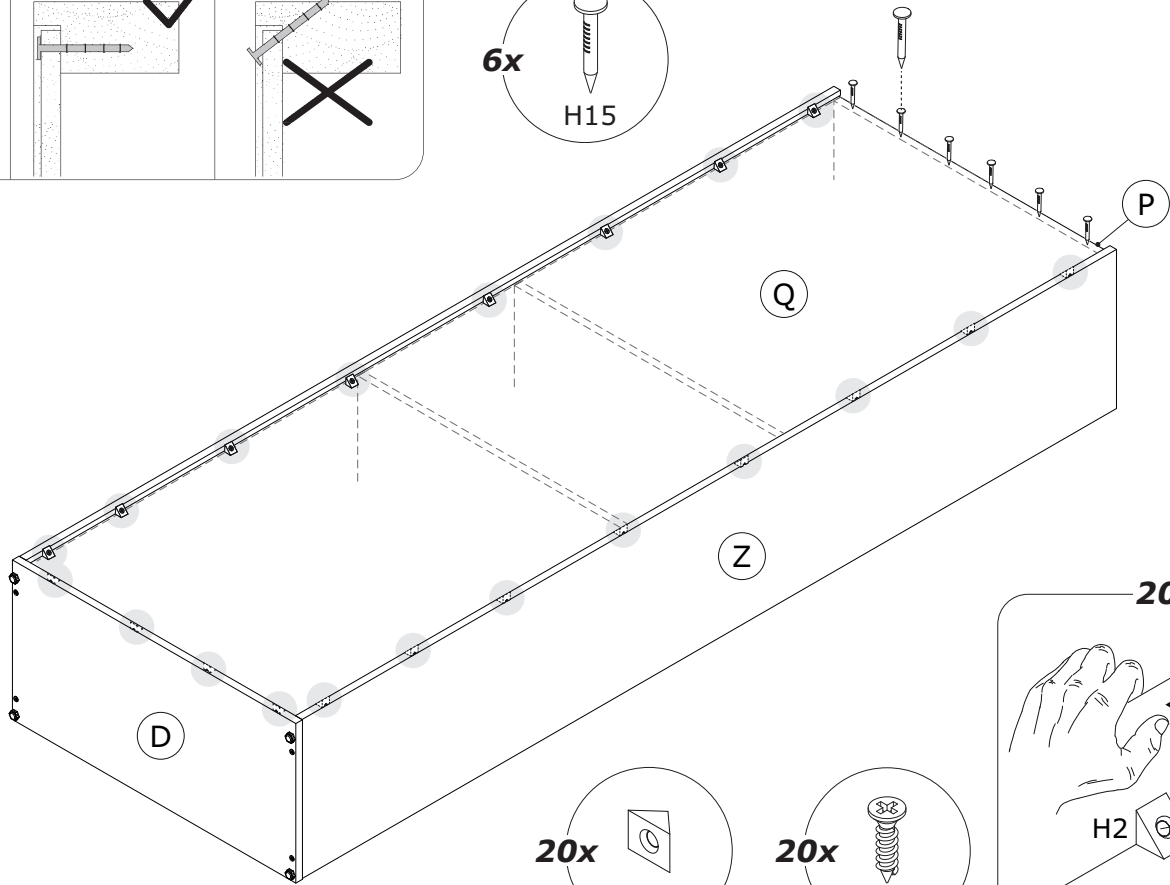
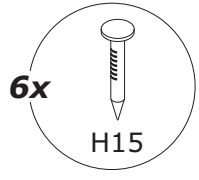
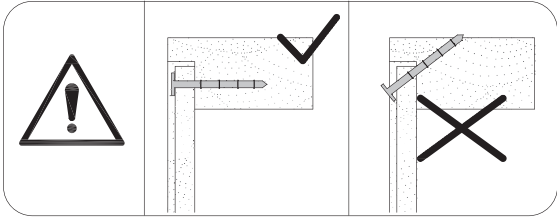
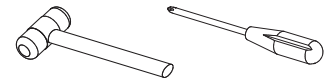
9



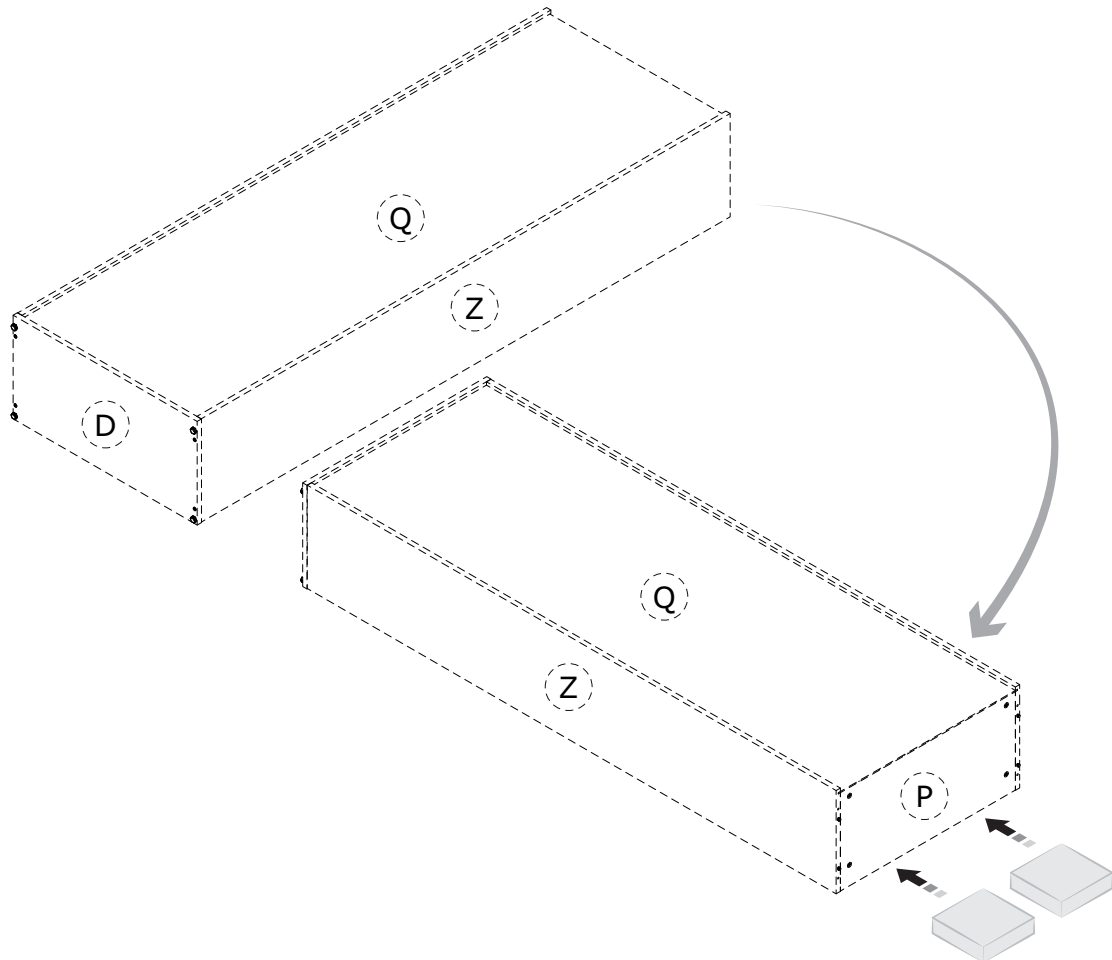
10

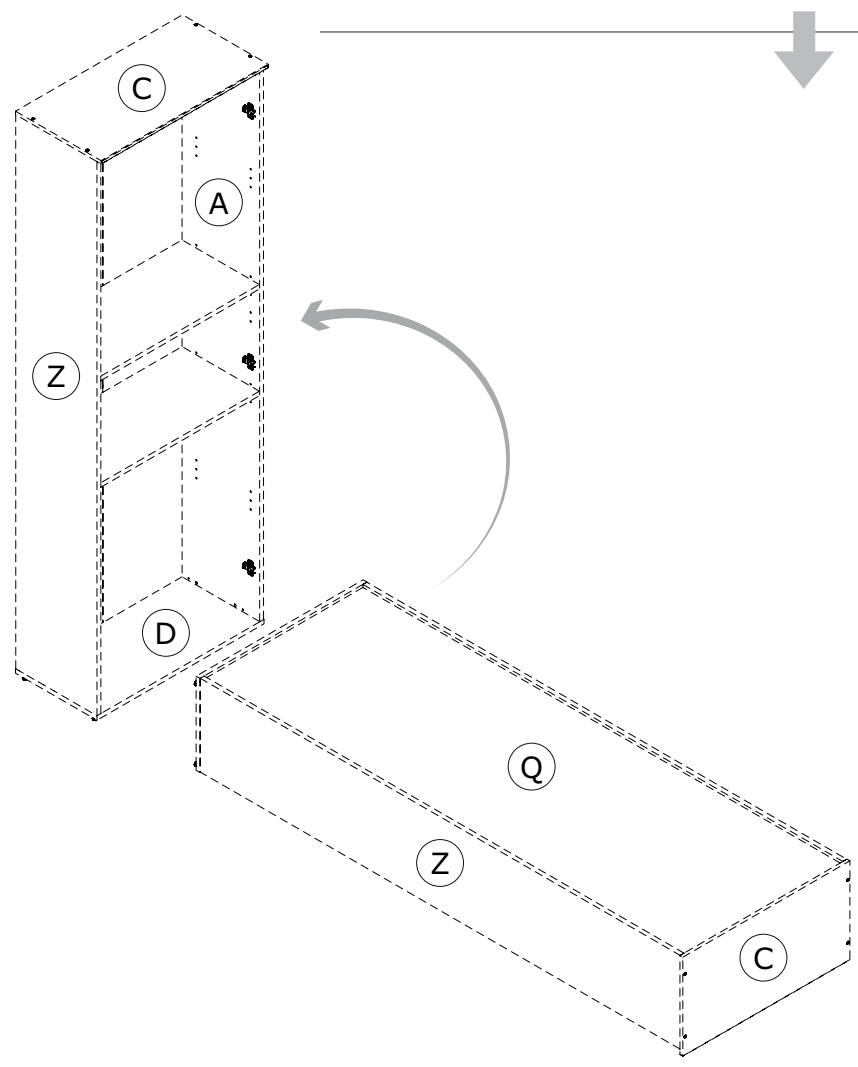
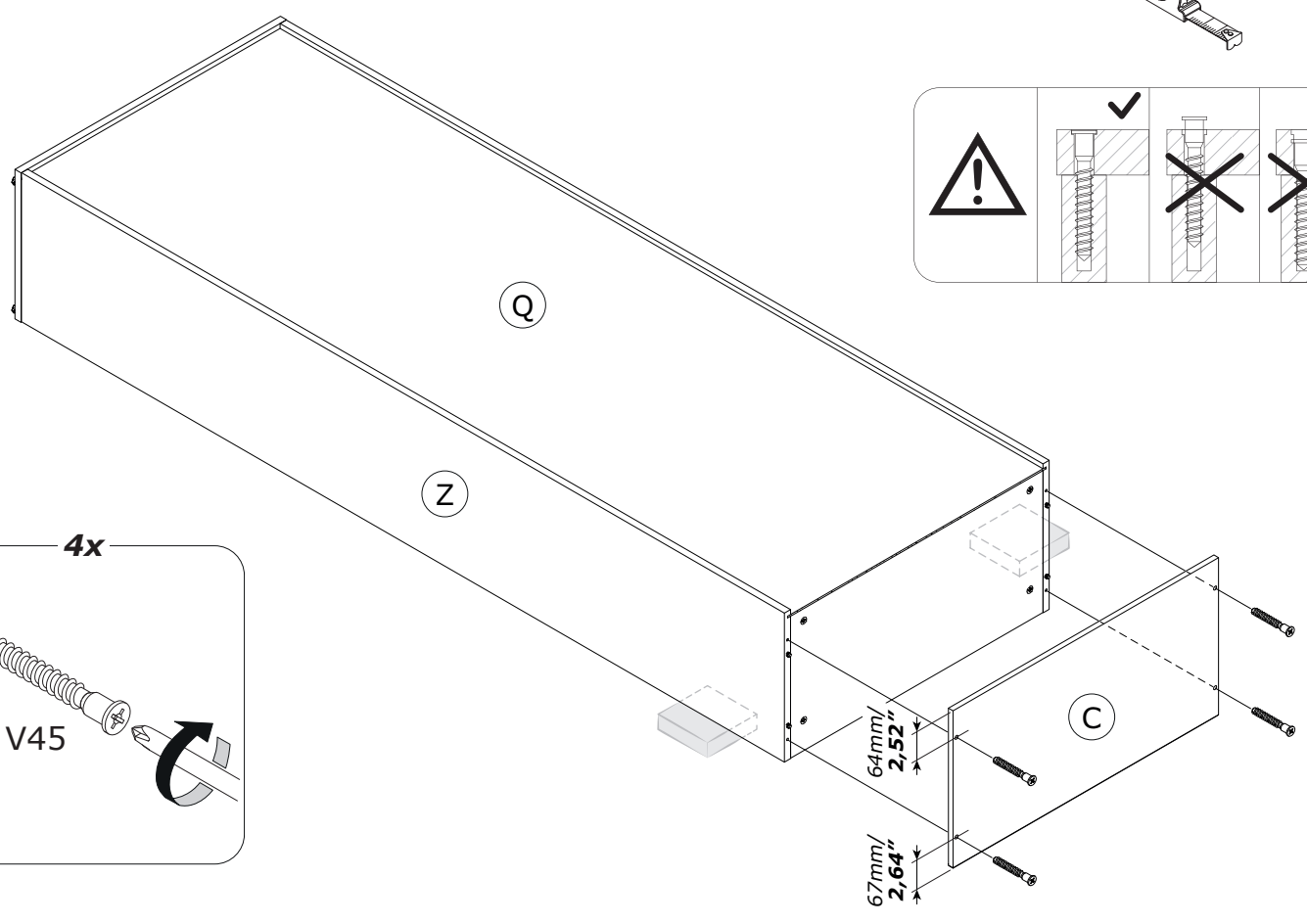
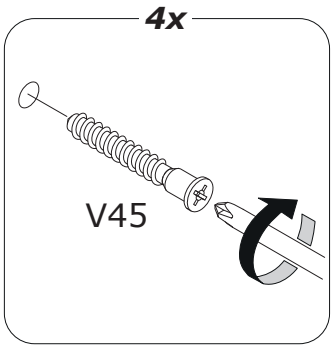
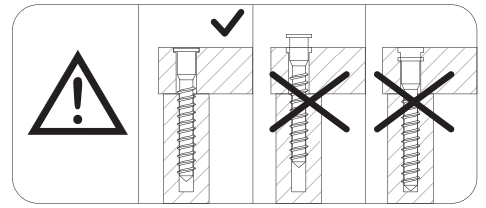
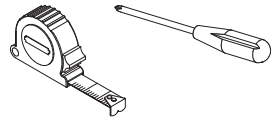


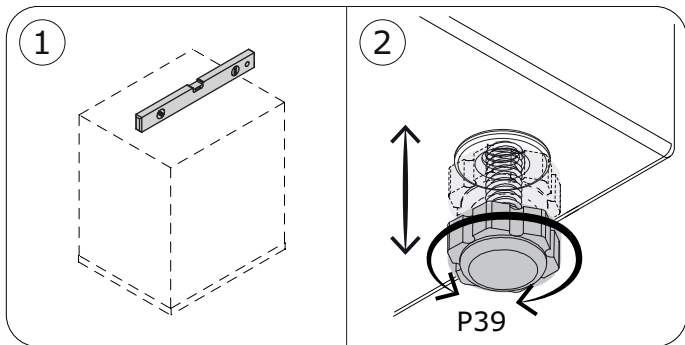
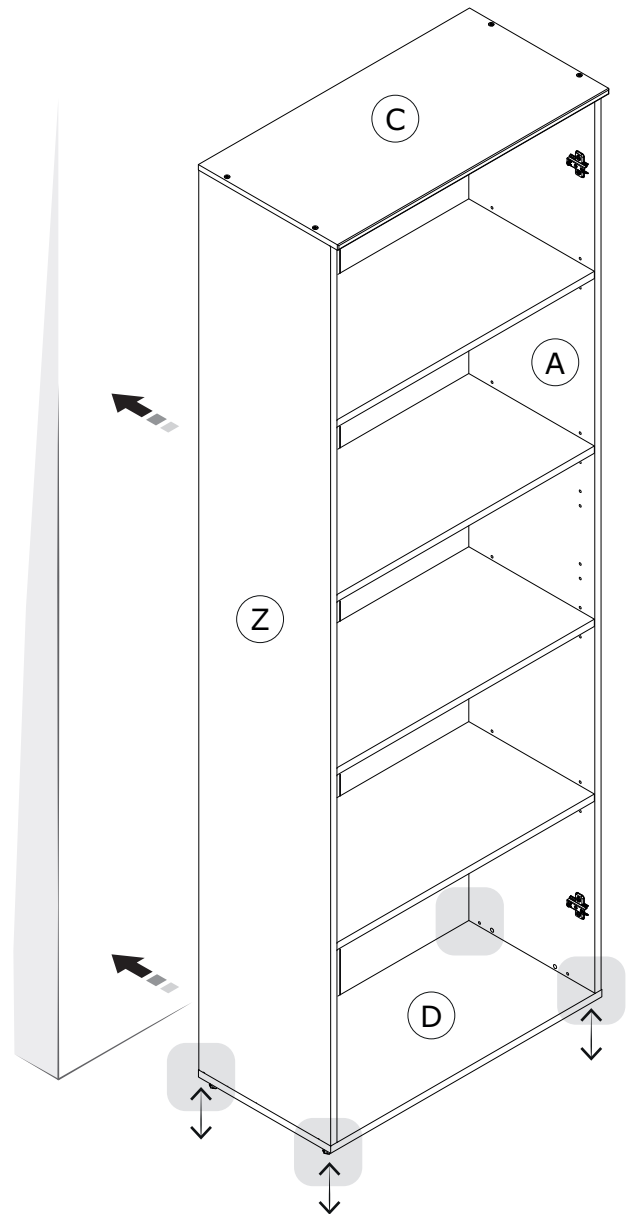
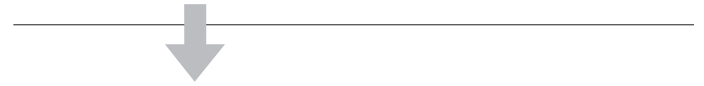
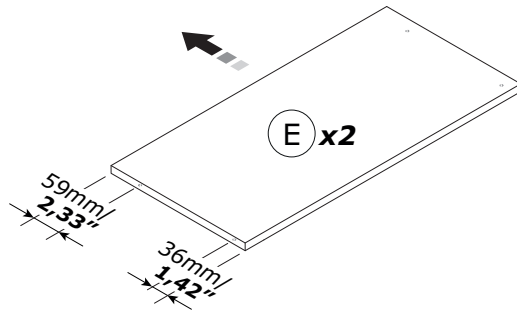
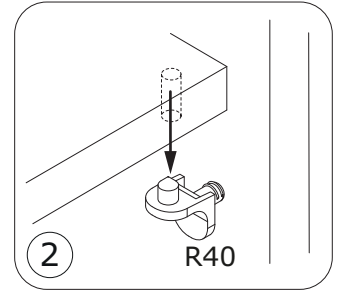
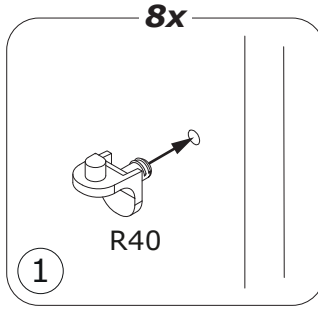
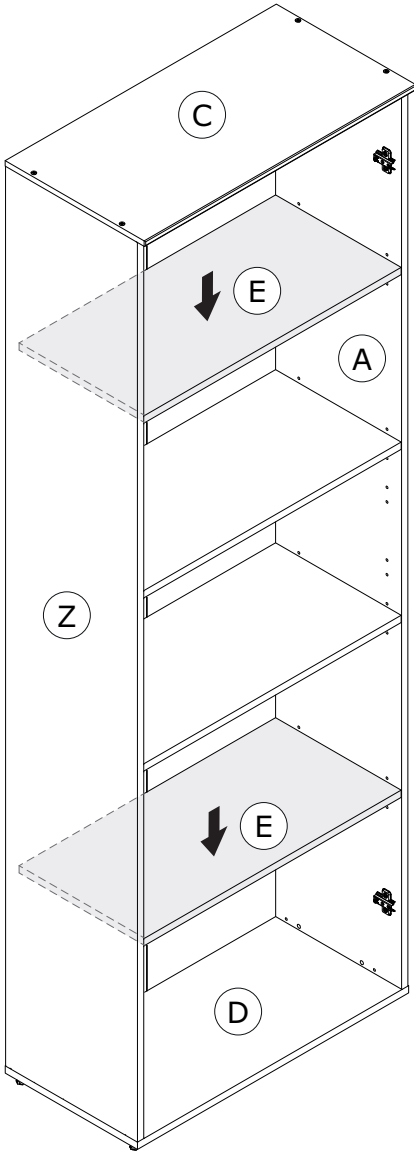
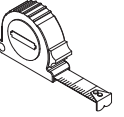
11

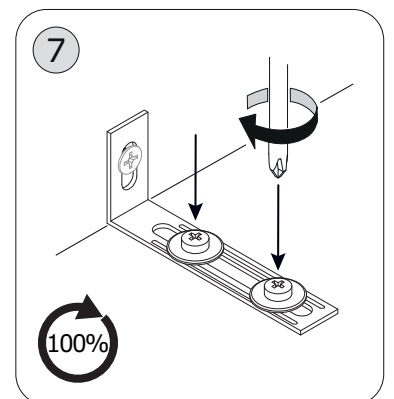
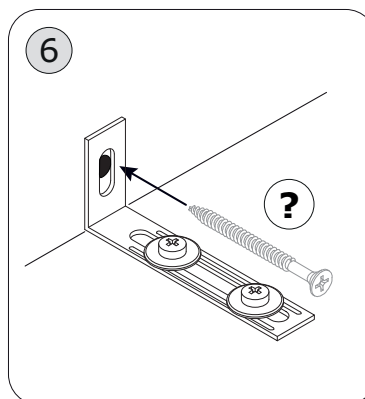
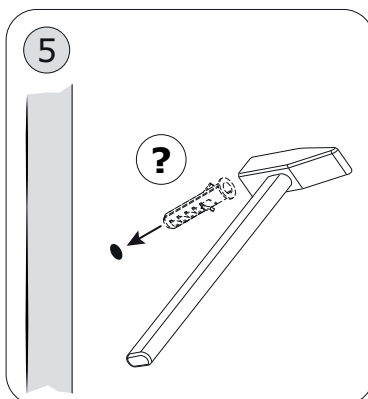
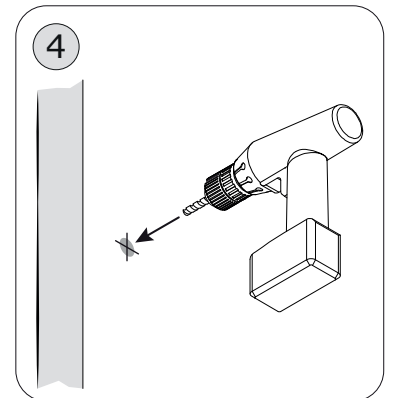
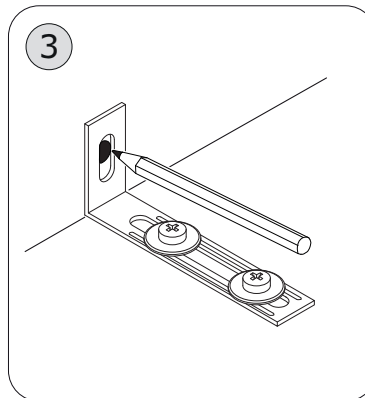
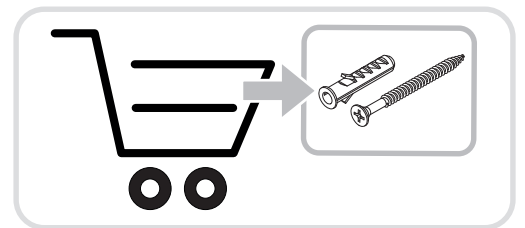
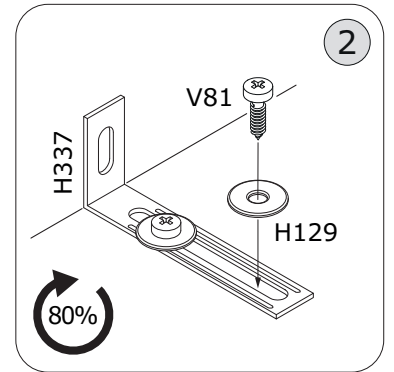
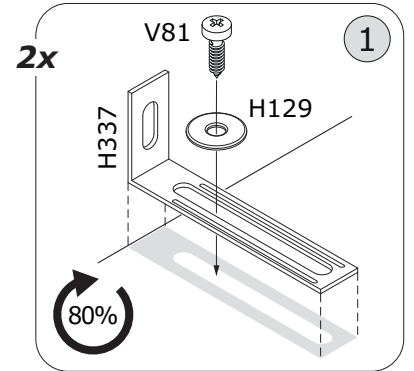
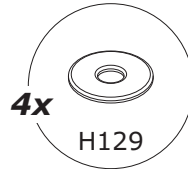
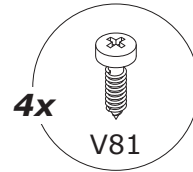
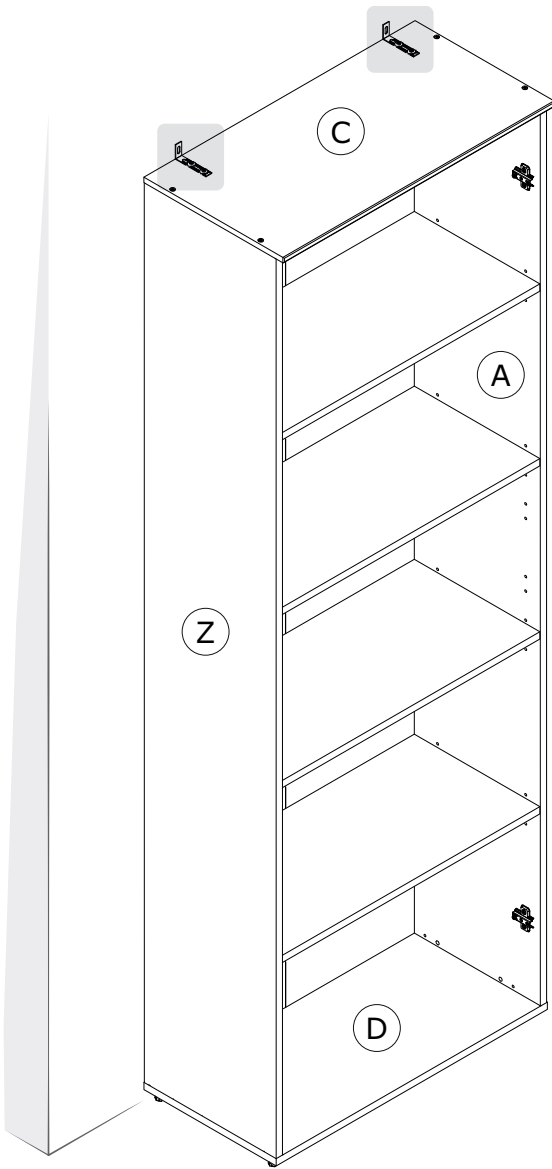
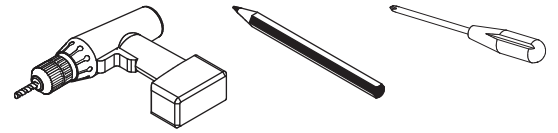


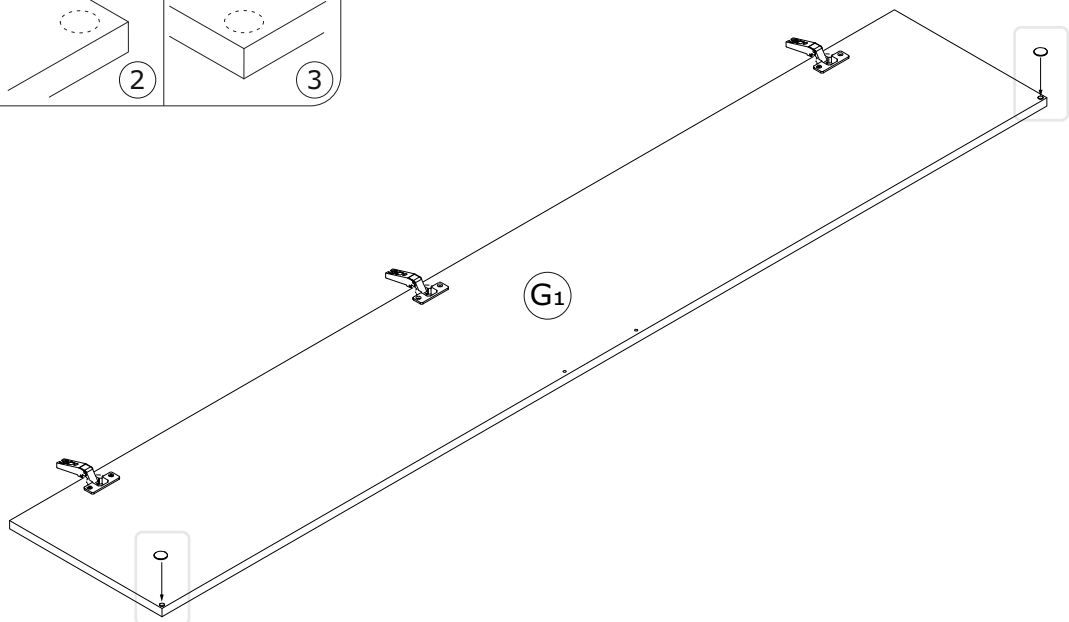
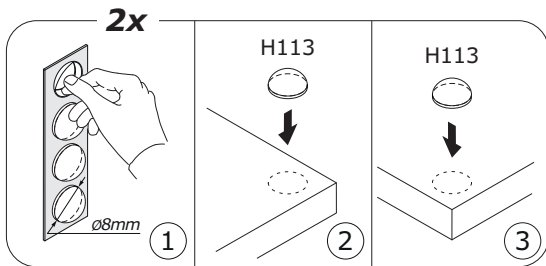
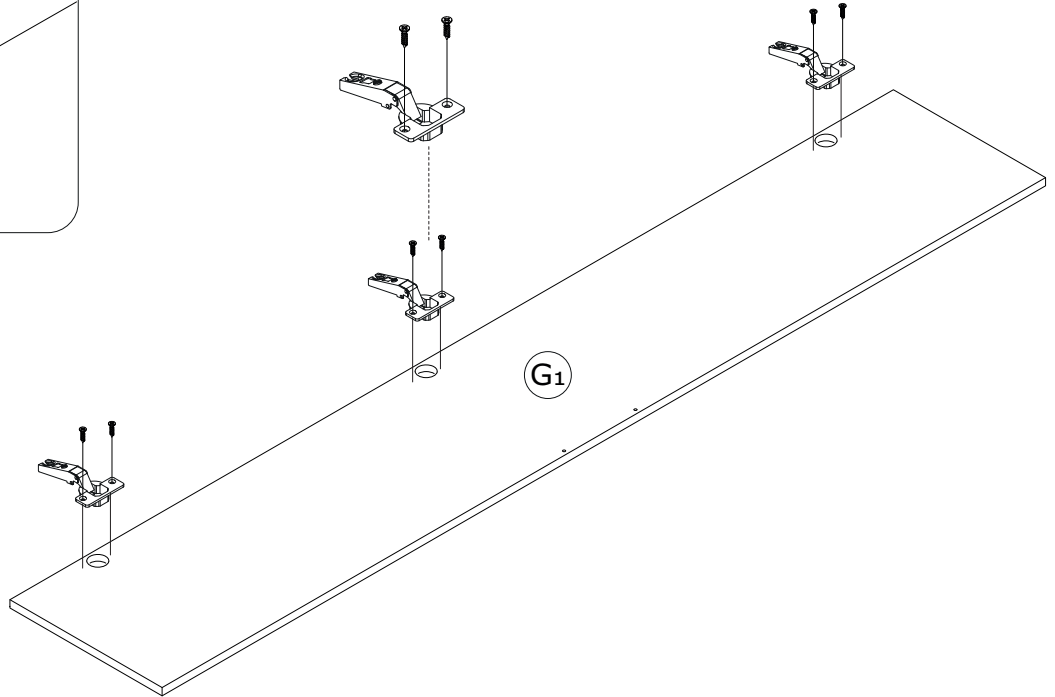
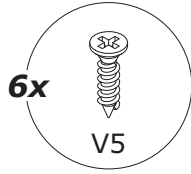
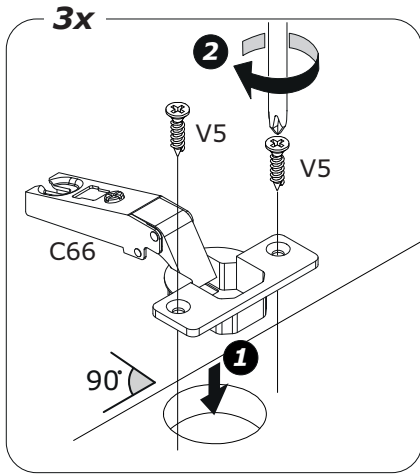
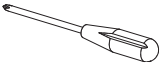
12

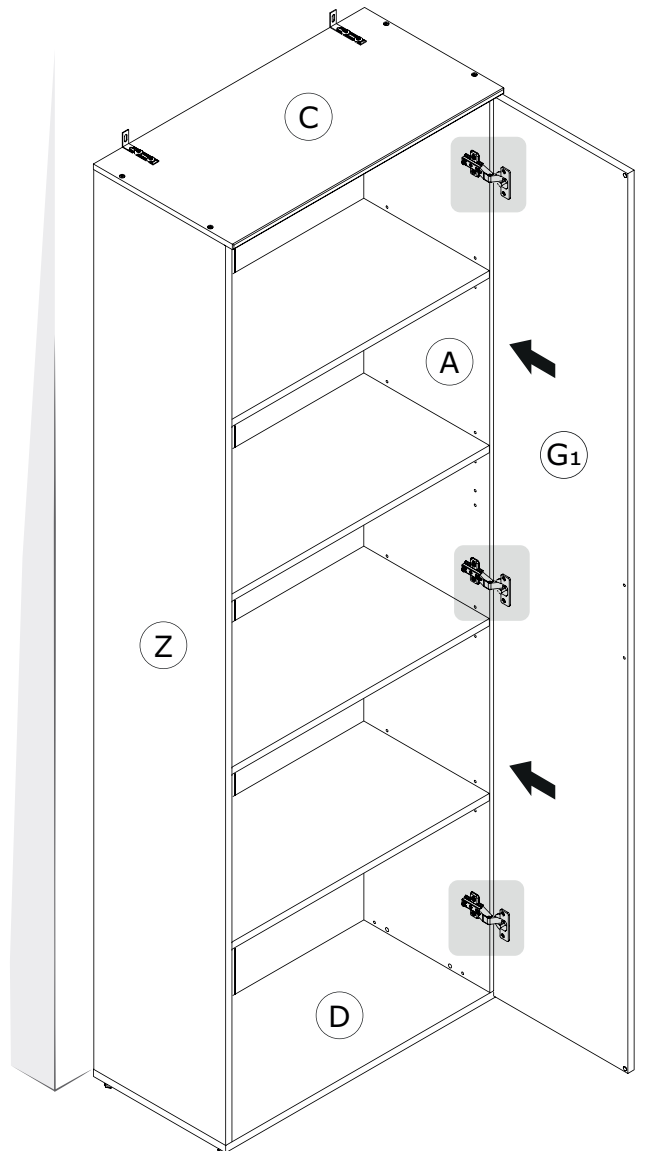
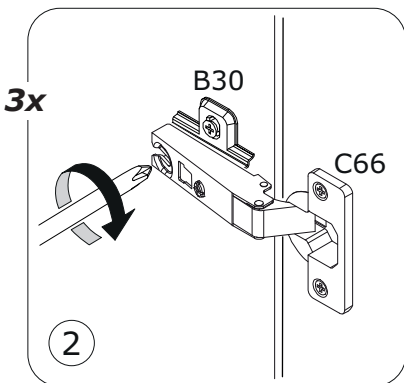
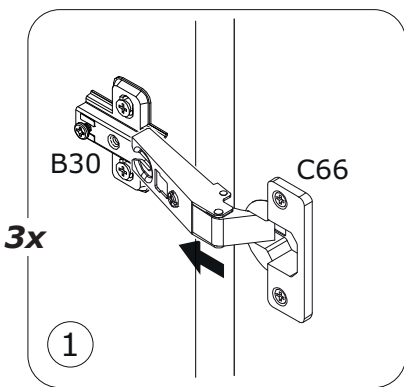
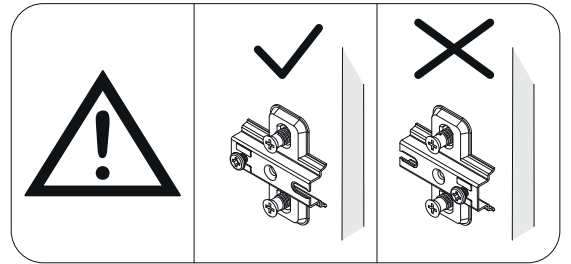
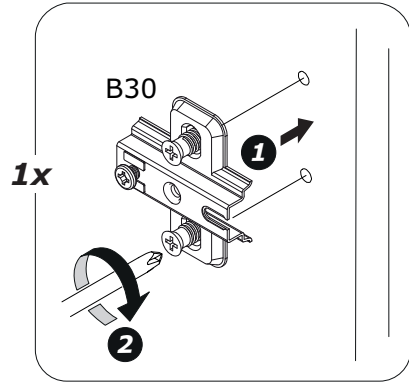
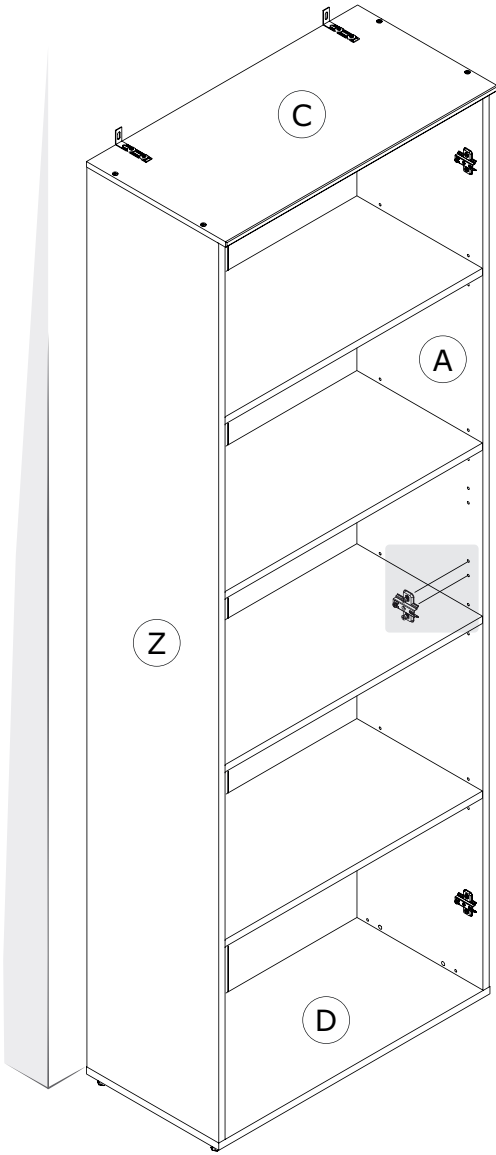
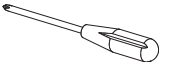


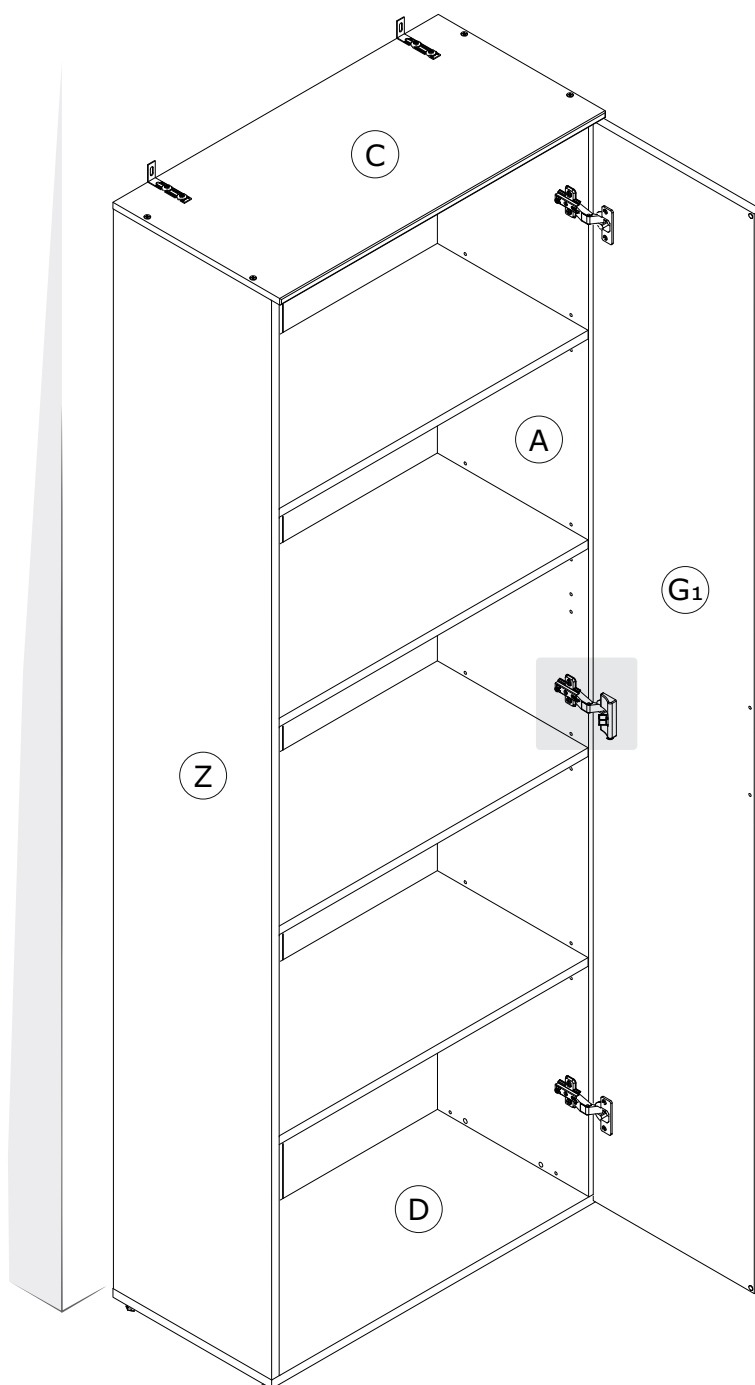
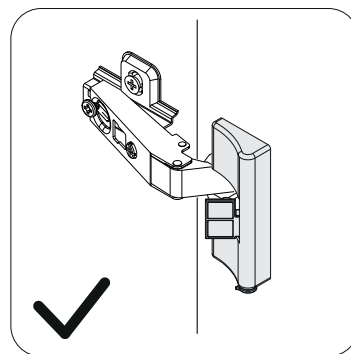
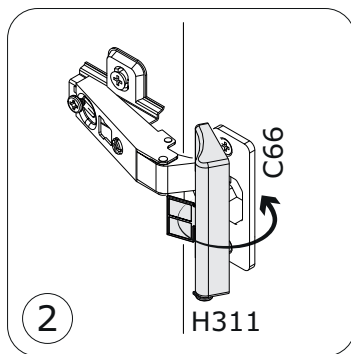
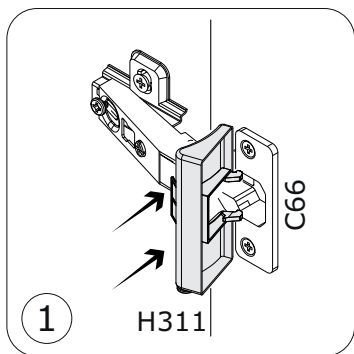
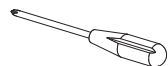


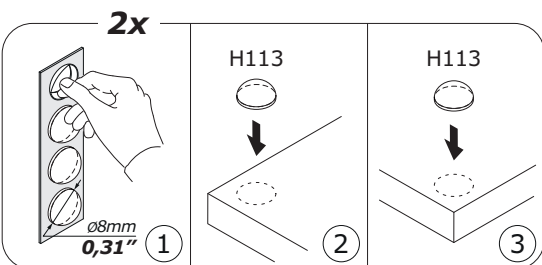
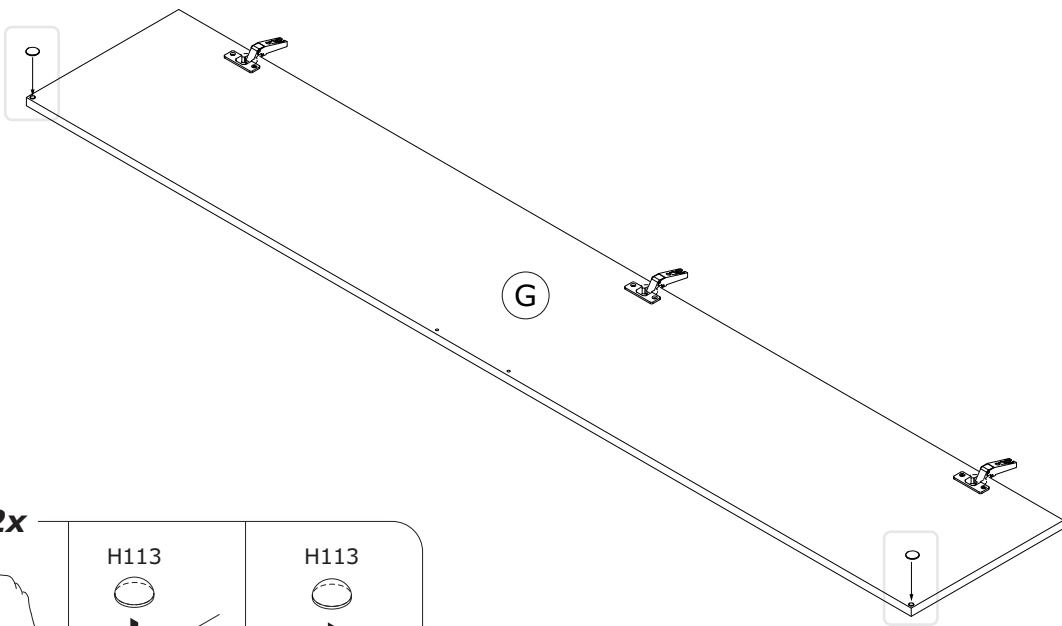
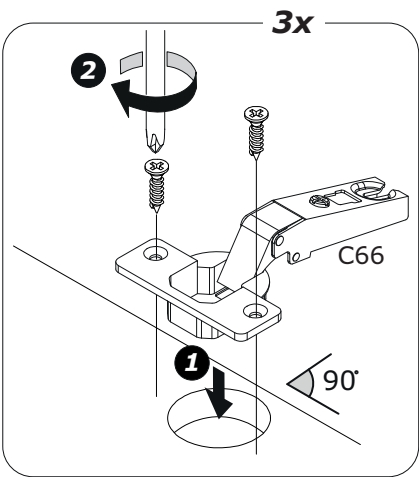
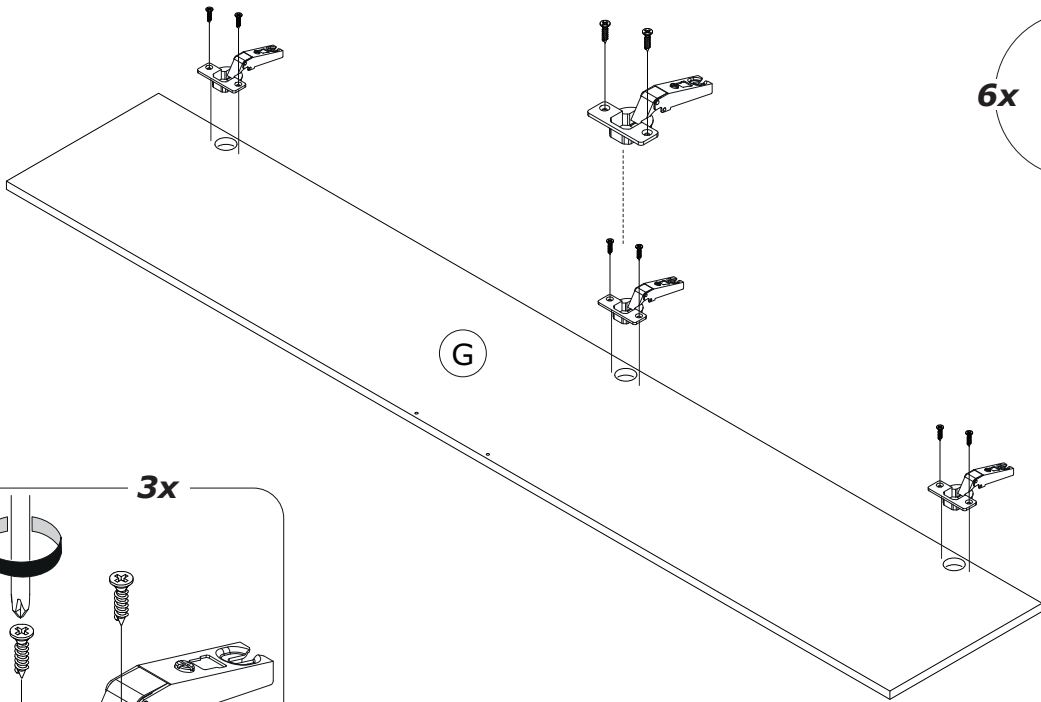
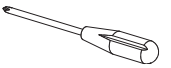


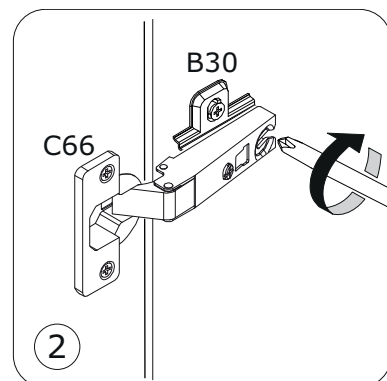
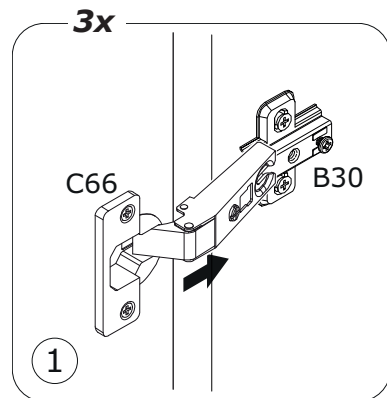
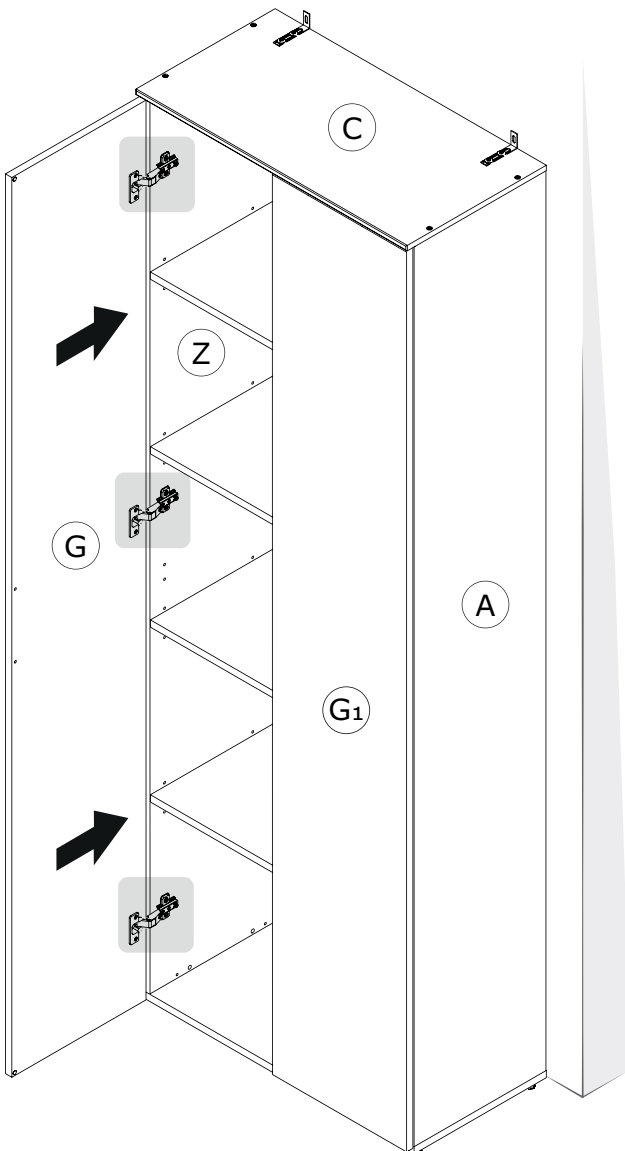
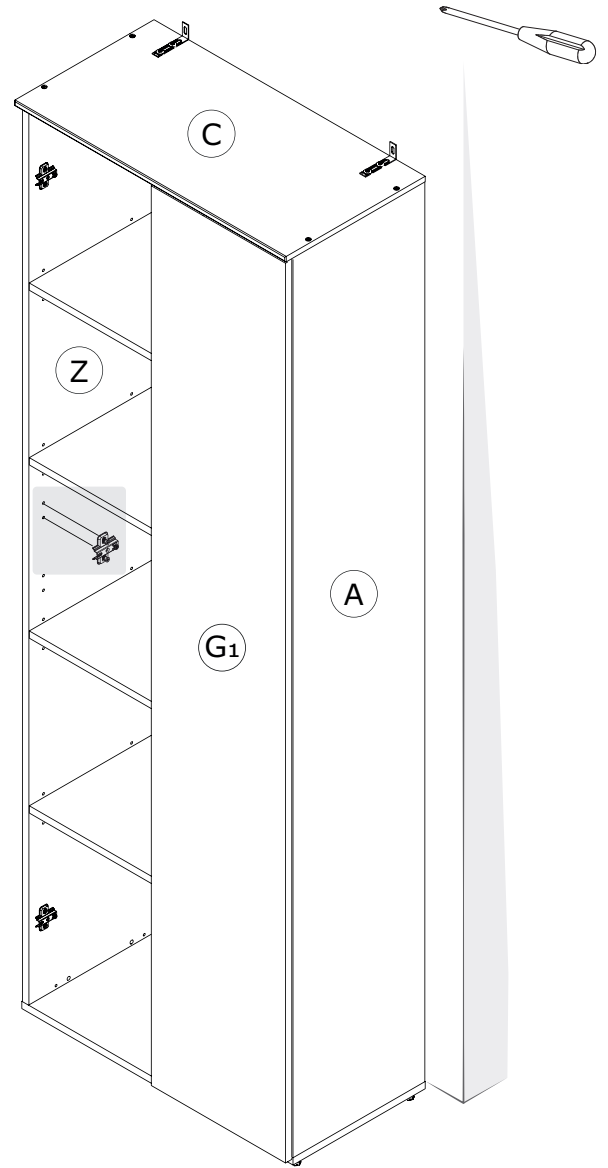
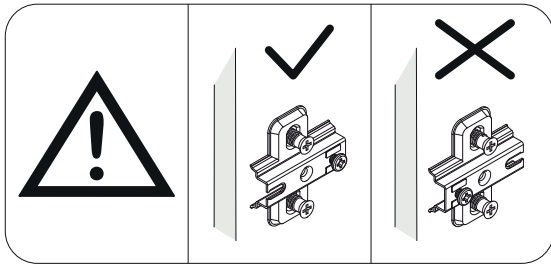
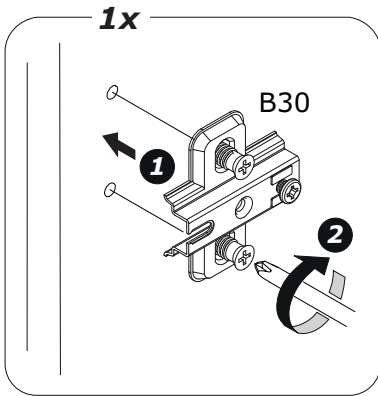


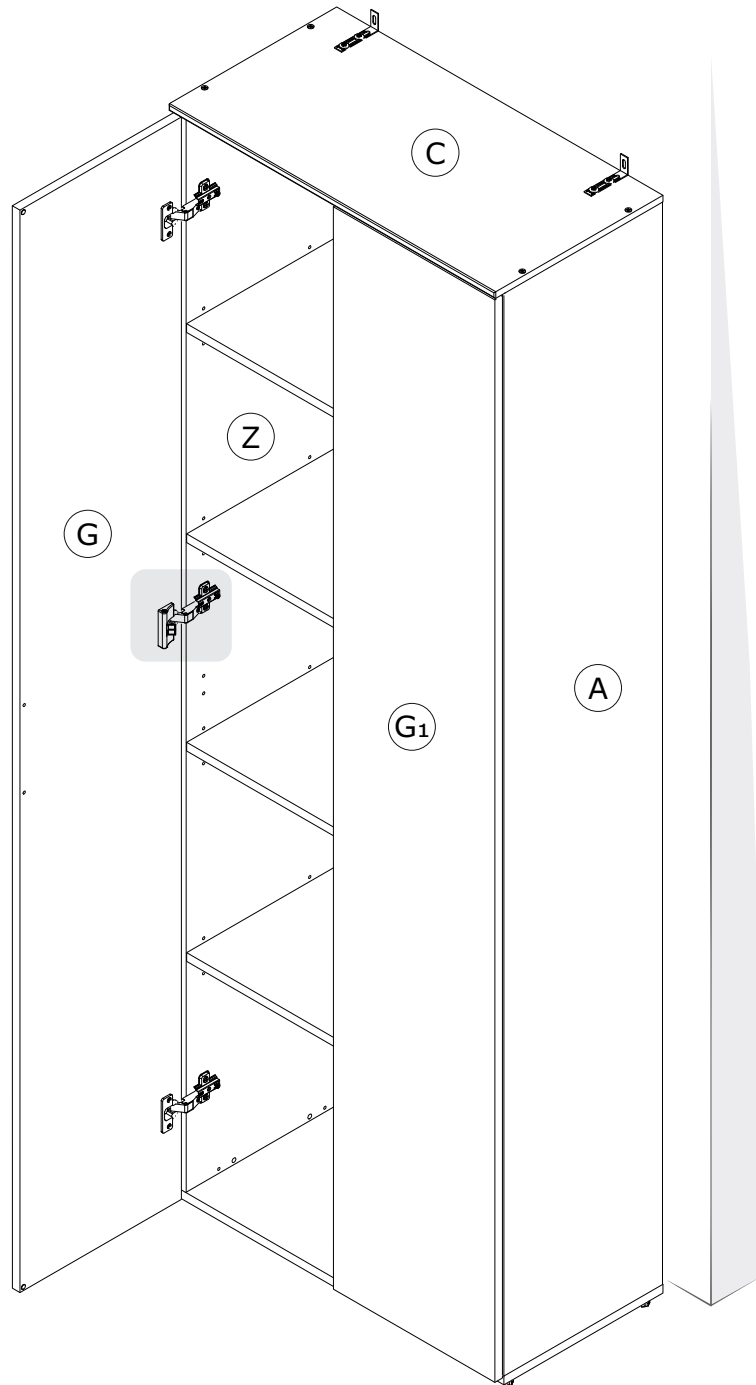
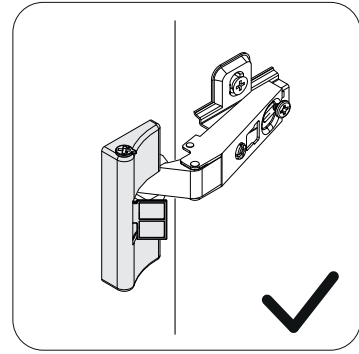
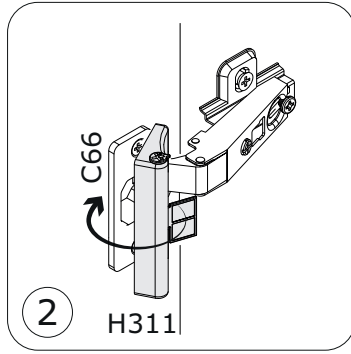
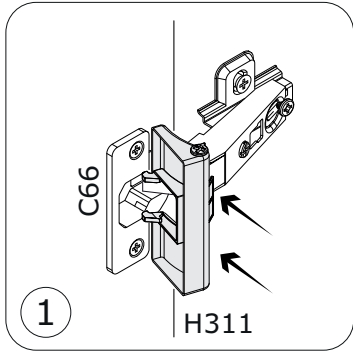
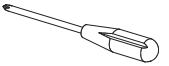


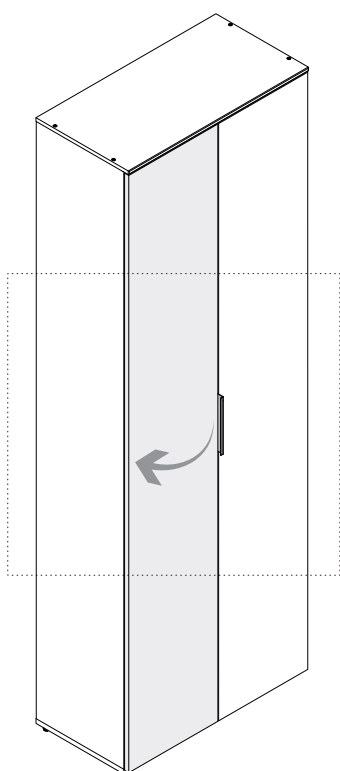
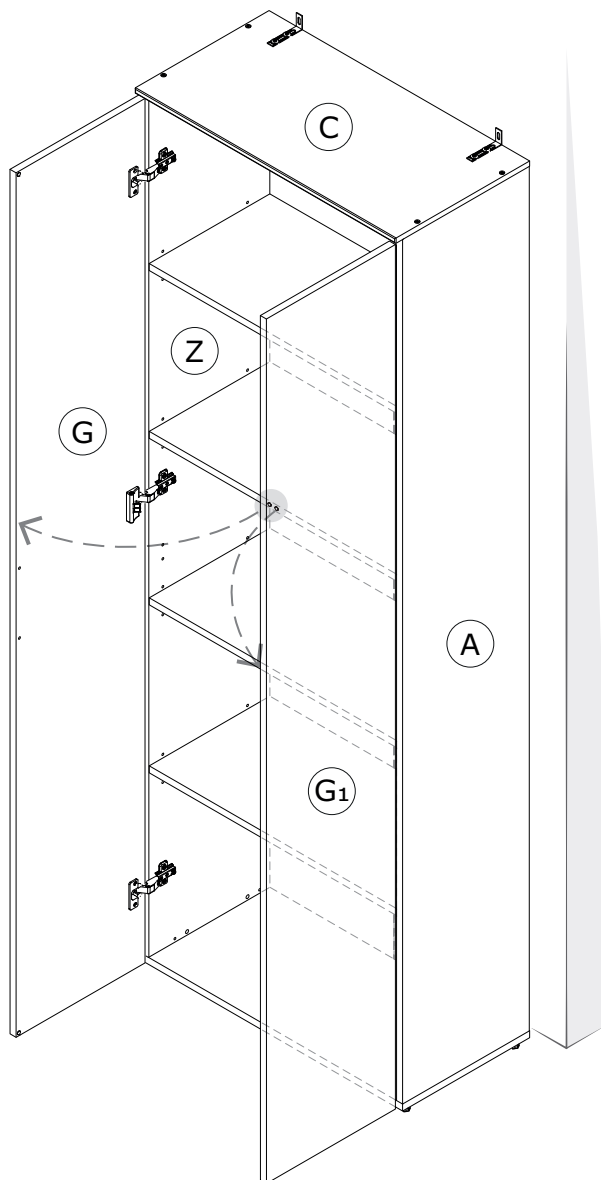
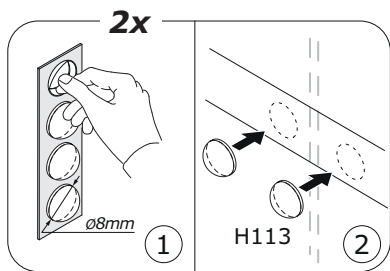




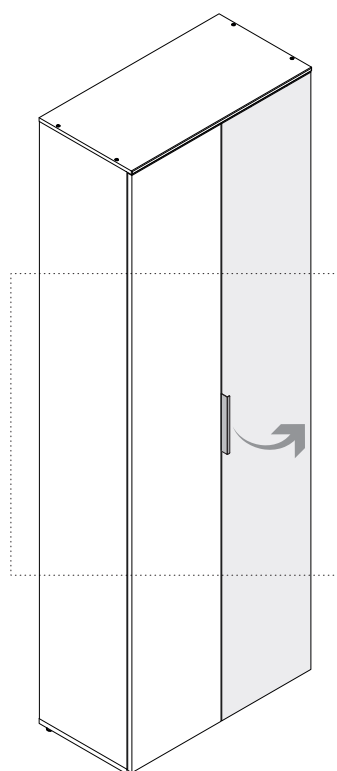






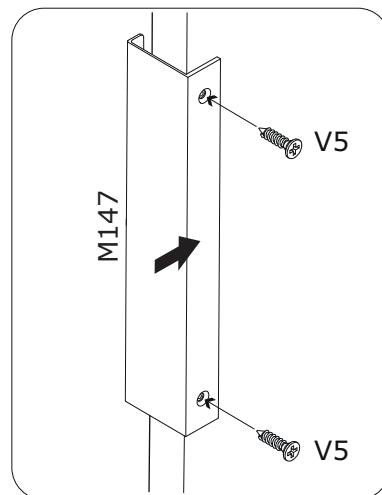
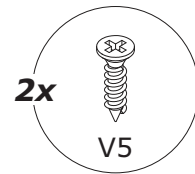
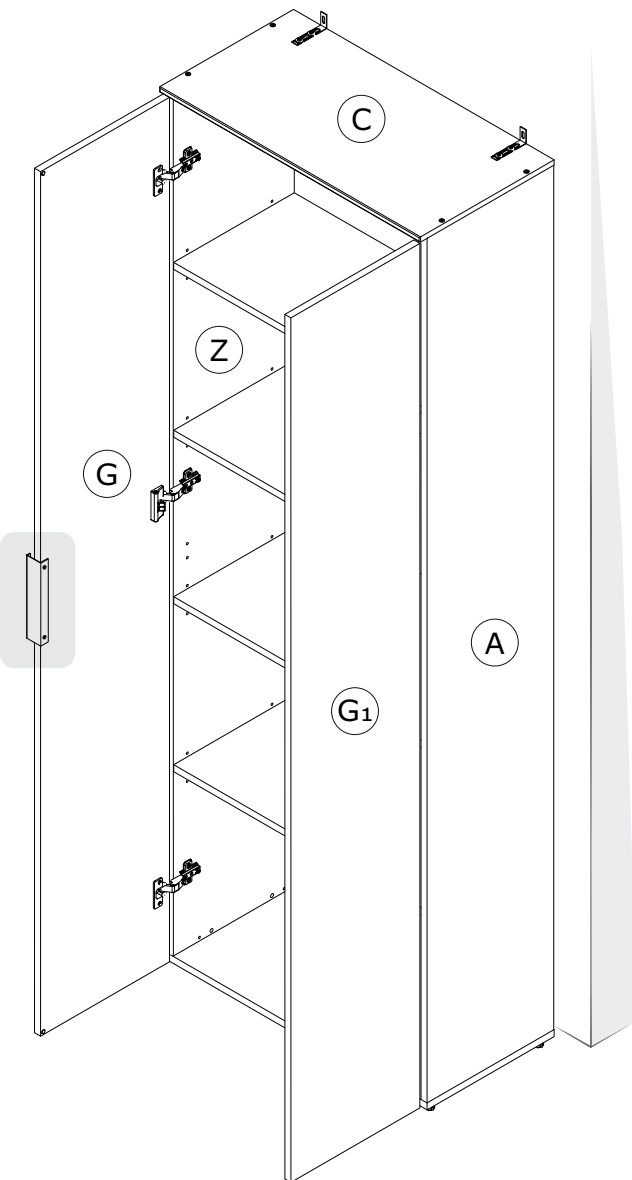
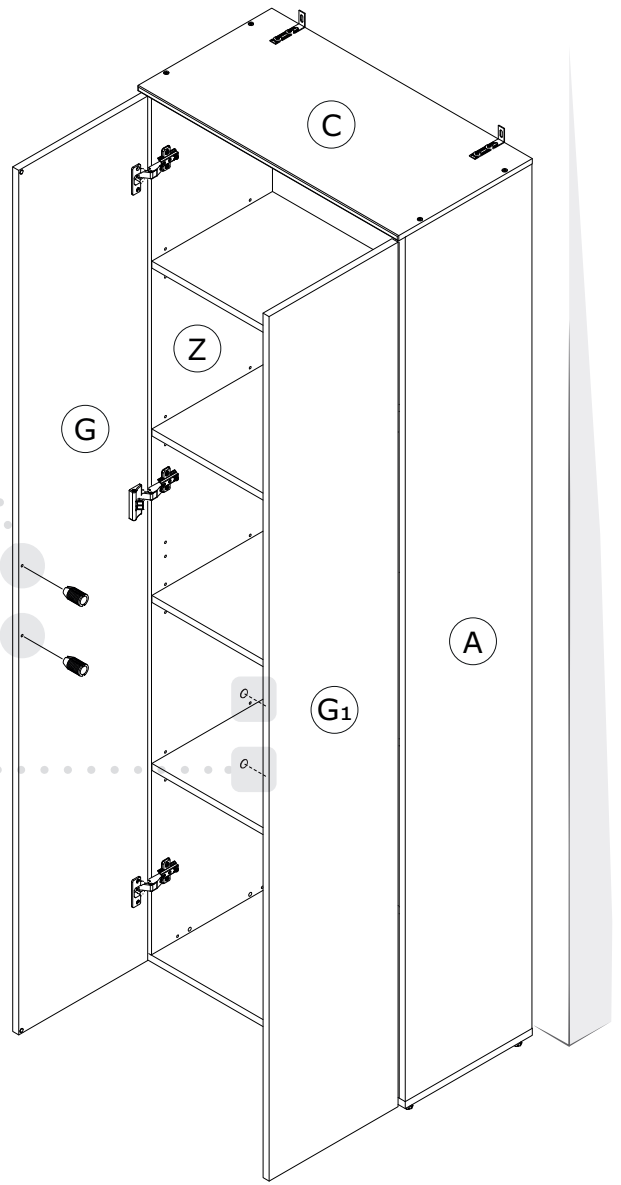
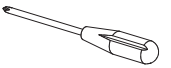
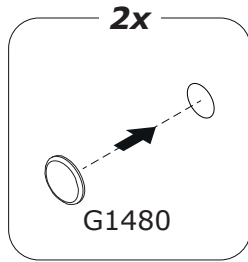
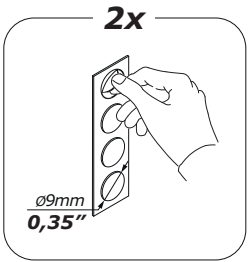
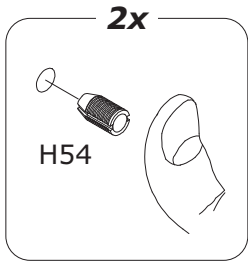


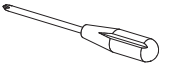
A



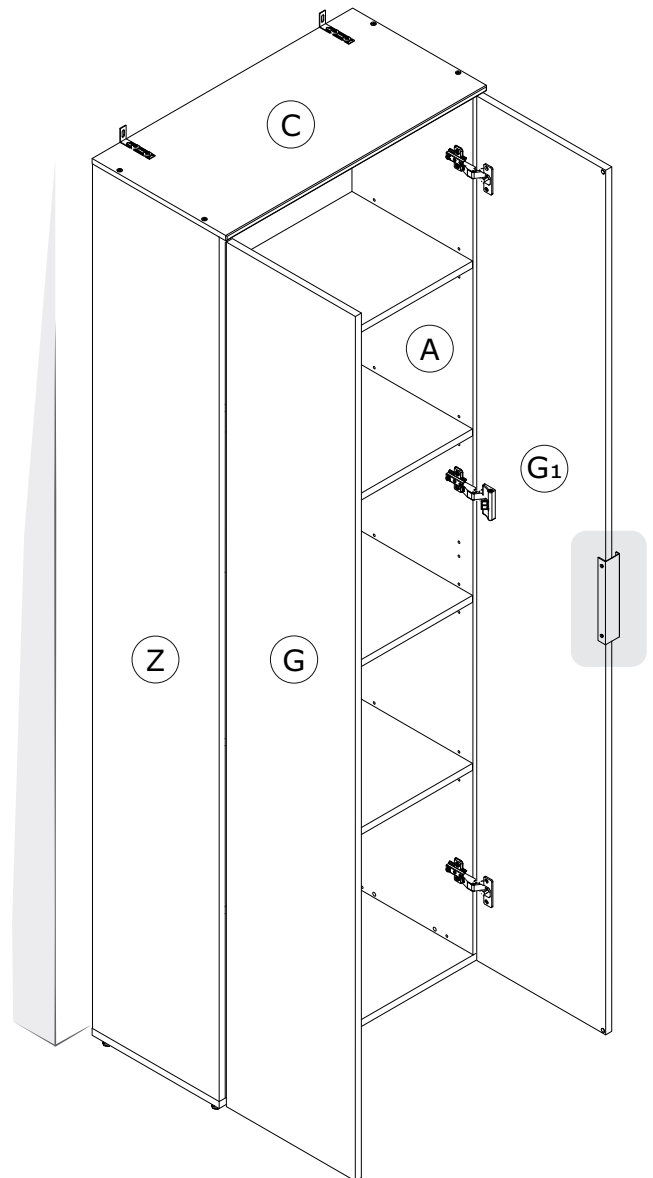
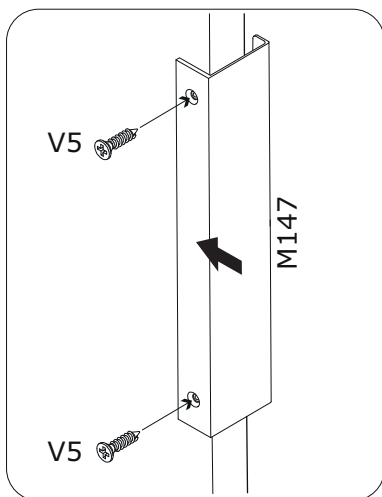
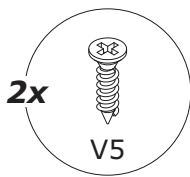
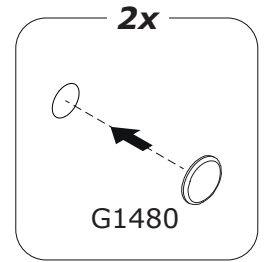
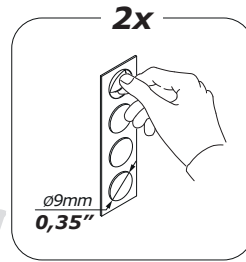
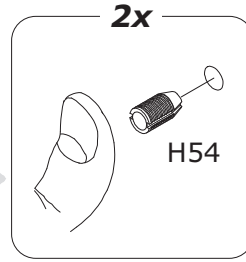
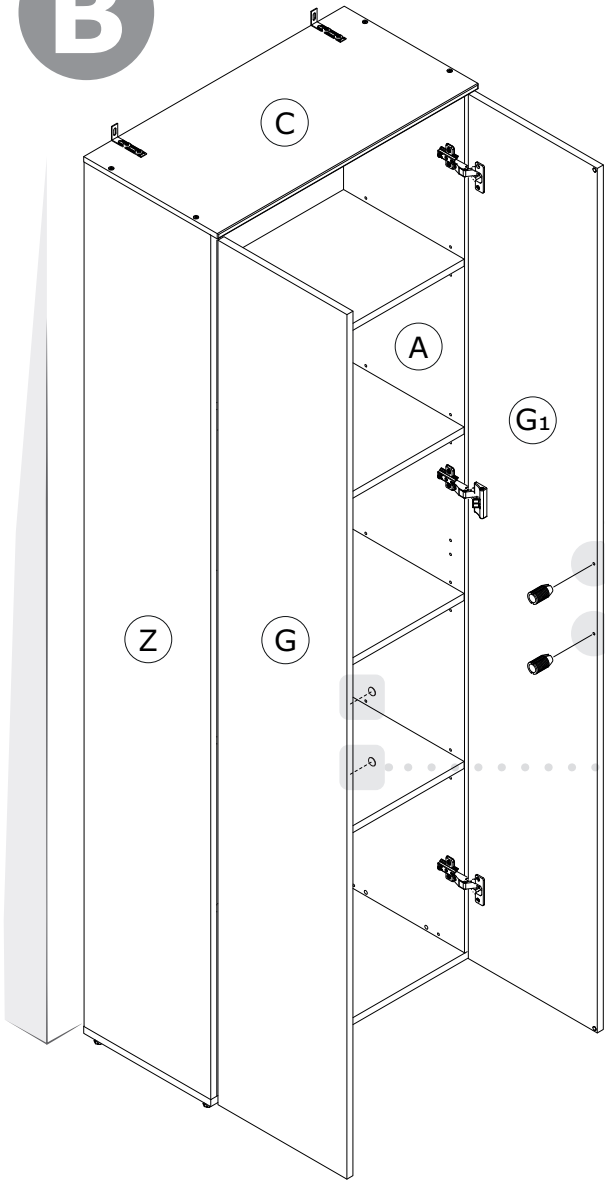
B

A

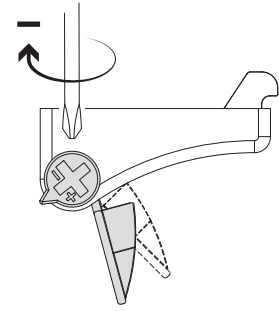
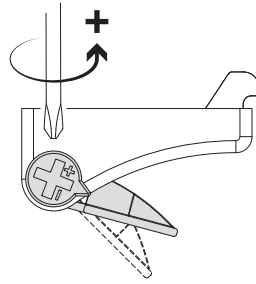
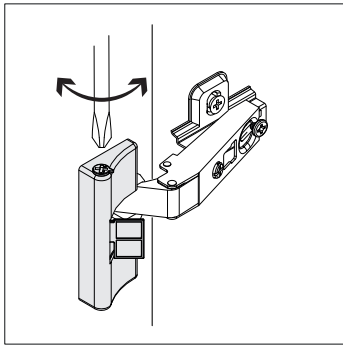
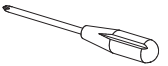




B



25



26

